

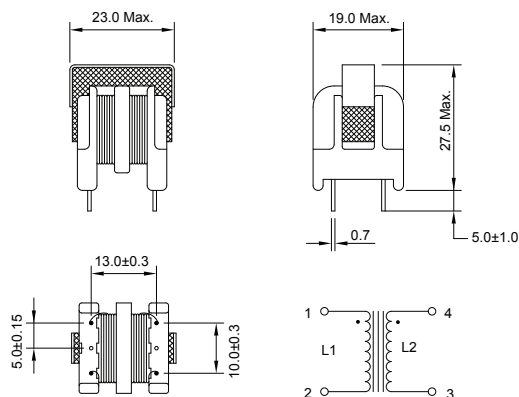
# FVU1520 Series

## ■ Wire Wound Common Mode Filter

### MECHANICAL DIMENSIONS



FVU1520



unit: mm

### ELECTRICAL SPECIFICATION

Part Number	Inductance (mH) Min.	DCR (Ω) Max.	Rated Current (A)
FVU1520R-802IN	2 × 10.0	0.50	1.00
FVU1520R-103IN	2 × 8.00	0.40	1.20

#### Unspecified values available on request.

- Test condition: 1KHz / 1 V
- Withstanding voltage: 1.5K Vac / 1 minute
- Insulation resistance: 100M (Ω) at 500 (Vdc)
- Temperature rise: ≤ 40°C
- Operating temp.: -20°C to +105°C

SMD

Leadless