

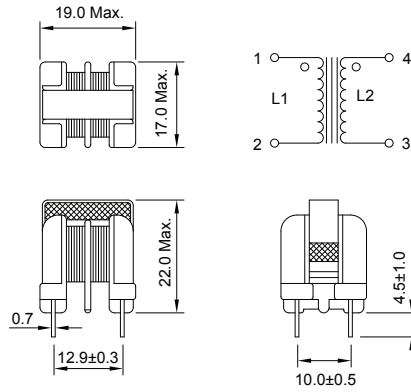
FVU1016 Series

■ Wire Wound Common Mode Filter

MECHANICAL DIMENSIONS



FVU1016



unit: mm

ELECTRICAL SPECIFICATION

Part Number	Inductance (mH) Min.	DCR (Ω) Max.	Rated Current (A)
FVU1016H-302IN	2 × 3.0	0.35	0.90
FVU1016H-152IN	2 × 1.5	0.15	1.00
FVU1016H-802IN	2 × 8.0	0.65	0.80
FVU1016H-203IN	2 × 20	1.80	0.50
FVU1016H-102IN	2 × 1.0	0.10	2.90

Unspecified values available on request.

- Test condition: 1KHz / 1 V
- Withstanding voltage: 1.5K Vac / 1minute
- Insulation resistance: 100M (Ω) at 500 (Vdc)
- Temperature rise: $\leq 40^{\circ}\text{C}$
- Operating temp.: -20°C to $+105^{\circ}\text{C}$

SMD

Leaded