

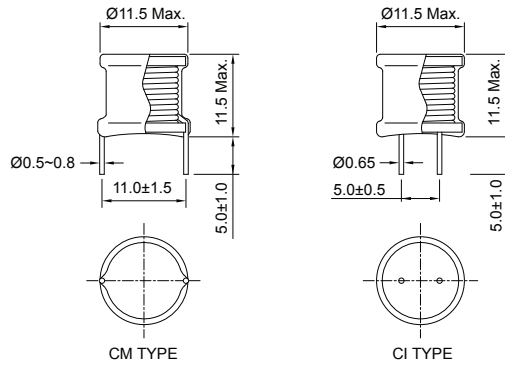
CP1212CI/M Series

■ Wire Wound Choke Coils

MECHANICAL DIMENSIONS



CP1212CI/M



unit: mm

ELECTRICAL SPECIFICATION

Part Number	Inductance @1KHz (μ H)	Q Min.	Test Freq. (KHz)	SRF (MHz) Min.	DCR (Ω) Max.	Rated Current (Amps.) Max.
CP1212CM-1R0MH	1.0	20	7.90	85.0	0.004	10.0
CP1212CM-1R5MH	1.5	20	7.90	64.0	0.005	8.30
CP1212CM-2R2MH	2.2	20	7.90	48.0	0.006	6.90
CP1212CM-3R3MH	3.3	20	7.90	36.0	0.008	5.60
CP1212CM-4R7MH	4.7	20	7.90	28.0	0.009	4.70
CP1212CM-6R8MH	6.8	20	7.90	22.0	0.012	3.90
CP1212CM-100KH	10	20	2.50	16.0	0.016	3.20
CP1212CM-120KH	12	20	2.50	14.0	0.018	2.90
CP1212CM-150KH	15	20	2.50	12.0	0.020	2.60
CP1212CM-180KH	18	20	2.50	11.0	0.025	2.40
CP1212CM-220KH	22	20	2.50	10.0	0.030	2.20
CP1212CM-270KH	27	20	2.50	9.0	0.040	2.00
CP1212CM-330KH	33	20	2.50	8.0	0.050	1.80
CP1212CM-390KH	39	20	2.50	7.0	0.060	1.65
CP1212CM-470KH	47	20	2.50	6.0	0.070	1.50
CP1212CM-560KH	56	20	2.50	5.5	0.080	1.35
CP1212CM-680KH	68	20	2.50	5.0	0.10	1.20
CP1212CI-820KH	82	20	2.50	4.5	0.12	1.10
CP1212CI-101KH	100	20	0.79	4.0	0.14	1.00
CP1212CI-121KH	120	20	0.79	3.5	0.18	0.90
CP1212CI-151KH	150	20	0.79	3.0	0.22	0.82
CP1212CI-181KH	180	20	0.79	2.8	0.25	0.75
CP1212CI-221KH	220	20	0.79	2.5	0.31	0.68
CP1212CI-271KH	270	20	0.79	2.2	0.36	0.61
CP1212CI-331KH	330	20	0.79	2.0	0.42	0.55
CP1212CI-391KH	390	20	0.79	1.8	0.48	0.50
CP1212CI-471KH	470	15	0.79	1.6	0.52	0.46
CP1212CI-561KH	560	15	0.79	1.4	0.65	0.42
CP1212CI-681KH	680	15	0.79	1.3	0.80	0.38
CP1212CI-821KH	820	15	0.79	1.2	1.00	0.34
CP1212CI-102KH	1000	20	0.25	1.0	1.50	0.31
CP1212CI-122KH	1200	20	0.25	0.90	1.80	0.28
CP1212CI-152KH	1500	20	0.25	0.85	2.00	0.25
CP1212CI-182KH	1800	20	0.25	0.80	2.50	0.23
CP1212CI-222KH	2200	20	0.25	0.75	3.00	0.21
CP1212CI-272KH	2700	20	0.25	0.70	3.50	0.19
CP1212CI-332KH	3300	20	0.25	0.65	4.00	0.17
CP1212CI-392KH	3900	20	0.25	0.60	5.00	0.15
CP1212CI-472KH	4700	20	0.25	0.55	6.00	0.14
CP1212CI-562KH	5600	20	0.25	0.50	7.50	0.13
CP1212CI-682KH	6800	20	0.25	0.45	9.50	0.12
CP1212CI-822KH	8200	20	0.25	0.40	11.0	0.11
CP1212CI-103KH	10000	50	0.079	0.35	12.0	0.10
CP1212CI-123KH	12000	50	0.079	0.30	13.5	0.09
CP1212CI-153KH	15000	50	0.079	0.25	15.0	0.08

- Tolerance: M \pm 20% ; L = \pm 15% ; K = \pm 10%
- Test Equipment:
L: HP 4285A LCR meter or equivalent.
Q: HP 4285A at specified freq. or equivalent.
RDC: CHROMA-16502 or equivalent.
SRF: HP4291B or equivalent.

- Operating temperature: -40°C to +85°C (Including self-temperature rise)
- Temperature rise 25°C Max.
- Ambient temperature: 60°C Max.

SMD

Leaded