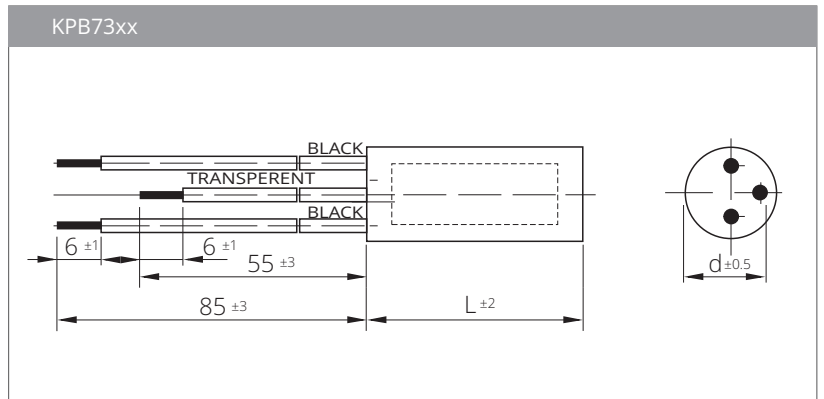


CAPACITORS

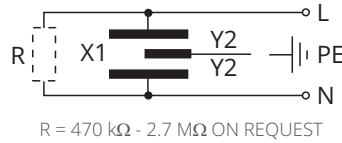
TYPE KPB73xx

CLASS X1Y2
TWO-POLE



LAST TWO NUMBERS IN THE TYPE DESIGNATION (XX = 00 TO 49) INDICATE THE TYPE OF TERMINALS AND CONNECTORS.

ELECTRICAL CONNECTION



TECHNICAL DATA

■ DIELECTRIC	PAPER IMPREGNATED
■ ELECTRODES	ALUMINIUM FOIL
■ RATED VOLTAGE	250 V AC, 275 V AC
■ CAPACITANCE TOLERANCE	± 20 %
■ CLIMATIC CATEGORY	25/100/21 ACC. TO IEC 60068-1
■ PASSIVE FLAMMABILITY	ACC. TO IEC 60384-14
■ TEMPERATURE RANGE	-25 ° TO +100 °C
■ TEST VOLTAGE	X1 CAPACITOR 1790 V DC, 2 s Y2 CAPACITOR 2050 V AC, 2 s
■ INSULATION RESISTANCE AT 20 °C , U _m = 100 V DC, t = 1 min	R _i ≥ 6000 MΩ FOR C ≤ 0.33 μF R _i x C _n ≥ 2000 s FOR C > 0.33 μF
■ COMPLIES TO	IEC/UL/CSA 60384-14

CAPACITORS

TYPE KPB73xx

CASING: THERMOPLASTIC, SEALED WITH SYNTHETICAL RESIN, FLAME RETARDANT.

WIRE DIMENSIONS ON DRAWING CORRESPOND WITH TYPE KPB7300 - STANDARD VERSION.

TERMINALS

TYPE

TYPE OF TERMINALS

KPB73xx

INSULATED STRANDED WIRE 0.5 mm², OR INSULATED SOLID WIRE \varnothing 0.8 mm.
NON-INSULATED PART IS SOLDERED. CONNECTION TERMINALS PROVIDED ON REQUEST.

STANDARD VALUES KPB73XX

CAPACITANCE CLASS X1 (μ F)	CAPACITANCE CLASS Y2 (pF)	DIMENSIONS d x l (mm)
0.022	2 x 2700	11 x 30
0.022	2 x 4700	12 x 30
0.022	2 x 5000	14 x 35
0.022	2 x 22000	16 x 35
0.022	2 x 22000	18 x 35
0.027	2 x 2700	11 x 30
0.047	2 x 2700	12 x 30
0.047	2 x 4700	14 x 30
0.047	2 x 5000	14 x 30
0.068	2 x 2700	14 x 35
0.068	2 x 4700	14 x 35
0.068	2 x 5000	14 x 35
0.1	2 x 2500	14 x 35
0.1	2 x 2700	14 x 35
0.1	2 x 4700	14 x 35
0.1	2 x 4700	16 x 35
0.1	2 x 5000	14 x 35
0.1	2 x 5000	16 x 35
0.1	2 x 10000	16 x 35
0.1	2 x 15000	16 x 35
0.1	2 x 22000	18 x 35
0.1	2 x 27000	18 x 40
0.1	2 x 27000	20 x 35
0.15	2 x 2700	16 x 35
0.15	2 x 4700	16 x 35
0.15	2 x 5000	16 x 35
0.15	2 x 5000	18 x 35
0.15	2 x 5000	18 x 40
0.15	2 x 10000	18 x 35
0.15	2 x 15000	18 x 35
0.15	2 x 22000	20 x 35
0.15	2 x 27000	18 x 40
0.15	2 x 27000	20 x 35
0.22	2 x 2700	18 x 40
0.22	2 x 2700	20 x 35
0.22	2 x 4700	18 x 40
0.22	2 x 5000	18 x 40
0.22	2 x 10000	20 x 40
0.22	2 x 15000	20 x 40
0.22	2 x 22000	22 x 40
0.22	2 x 27000	22 x 40

CAPACITANCE CLASS X1 (μ F)	CAPACITANCE CLASS Y2 (pF)	DIMENSIONS d x l (mm)
0.25	2 x 2500	20 x 40
0.25	2 x 2700	20 x 40
0.25	2 x 4700	20 x 40
0.25	2 x 5000	20 x 40
0.25	2 x 10000	20 x 40
0.25	2 x 15000	22 x 40
0.25	2 x 22000	22 x 40
0.25	2 x 27000	22 x 40
0.27	2 x 2700	20 x 40
0.27	2 x 4700	20 x 40
0.27	2 x 5000	20 x 40
0.27	2 x 10000	22 x 40
0.27	2 x 15000	22 x 40
0.27	2 x 22000	22 x 40
0.27	2 x 27000	20 x 50
0.27	2 x 27000	22 x 40
0.33	2 x 2700	22 x 40
0.33	2 x 2700	25 x 40
0.33	2 x 4700	22 x 40
0.33	2 x 4700	25 x 40
0.33	2 x 10000	25 x 40
0.33	2 x 15000	25 x 40
0.33	2 x 22000	25 x 40
0.33	2 x 27000	25 x 40
0.47	2 x 2700	25 x 40
0.47	2 x 2700	30 x 40
0.47	2 x 4700	25 x 40
0.47	2 x 4700	30 x 40
0.47	2 x 10000	25 x 40
0.47	2 x 10000	30 x 40
0.47	2 x 15000	30 x 40
0.47	2 x 22000	30 x 40
0.47	2 x 27000	30 x 40

APPROVAL:



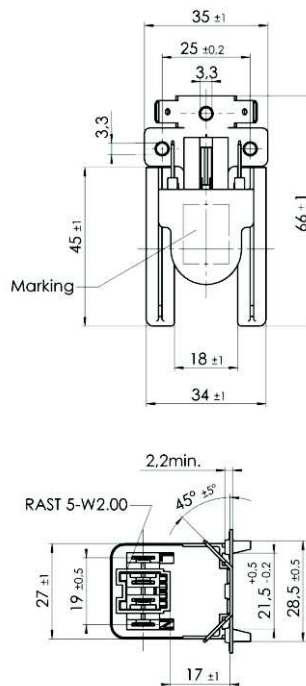
CAPACITORS

TYPE KPB7325

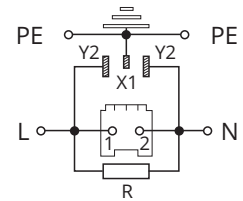
CLASS X1Y2
TWO-POLE



KPB7325



ELECTRICAL CONNECTION



R = 470 kΩ - 2.7 MΩ ON REQUEST

STANDARD VALUES KPB7325

CAPACITANCE

CLASS X1 (μF)	CLASS Y2 (pF)
0.1	2 x 2500
0.1	2 x 2700
0.1	2 x 4700
0.1	2 x 5000
0.1	2 x 10000
0.1	2 x 15000
0.1	2 x 22000
0.1	2 x 27000
0.15	2 x 2500
0.15	2 x 2700
0.15	2 x 4700
0.15	2 x 5000
0.15	2 x 10000
0.15	2 x 15000
0.15	2 x 22000
0.15	2 x 27000
0.22	2 x 2500
0.22	2 x 2700
0.22	2 x 4700
0.22	2 x 5000
0.22	2 x 10000
0.22	2 x 15000
0.22	2 x 22000
0.22	2 x 27000
0.24	2 x 15000
0.24	2 x 27000
0.25	2 x 2500
0.25	2 x 2700
0.25	2 x 4700
0.25	2 x 5000
0.25	2 x 10000
0.25	2 x 15000
0.25	2 x 22000
0.25	2 x 27000
0.27	2 x 2500
0.27	2 x 2700
0.27	2 x 4700
0.27	2 x 5000
0.27	2 x 10000
0.27	2 x 15000
0.27	2 x 22000
0.27	2 x 27000

TECHNICAL DATA

■ DIELECTRIC	PAPER IMPREGNATED
■ ELECTRODES	ALUMINIUM FOIL
■ RATED VOLTAGE	275 V AC
■ CAPACITANCE TOLERANCE	± 20 %
■ CLIMATIC CATEGORY	25/100/21/B
■ TEMPERATURE RANGE	-25 ° TO +100 °C
■ TEST VOLTAGE	X1 CAPACITOR 1790 V DC, 2 s Y2 CAPACITOR 2050 V AC, 2 s
■ INSULATION RESISTANCE AT 20 °C , U _m = 100 V DC, t = 1 min	R _i ≥ 6000 MΩ
■ CASING	THERMOPLASTIC CAN, SEALED WITH SYNTHETICAL RESIN, FLAME RETARDANT
■ TERMINALS	FAST-ON CONNECTORS 6.3x0.8 CuZn/Sn
■ COMPLIES TO	IEC/UL/CSA 60384-14
■ RATED TEMPERATURE	v _c 85 °C

APPROVAL:



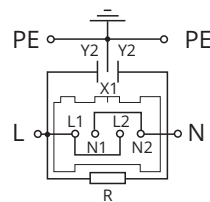
CAPACITORS TYPE KPB7341

CLASS X1Y2

TWO-POLE

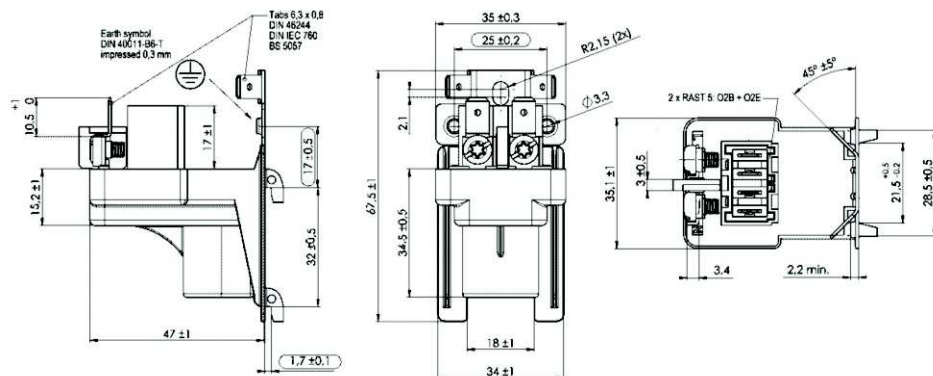


ELECTRICAL CONNECTION



R = 470 kΩ - 2.7 MΩ ON REQUEST

KPB7341



TECHNICAL DATA

- DIELECTRIC
- ELECTRODES
- RATED VOLTAGE
- RATED CURRENT
- CAPACITANCE TOLERANCE
- CLIMATIC CATEGORY + LETTER INDICATING
PASSIVE FLAMMABILITY CATEGORY
- TEMPERATURE RANGE
- TEST VOLTAGE
- INSULATION RESISTANCE AT 20 °C ,
 $U_m = 100 \text{ V DC, } t = 1 \text{ min}$
- CASING
- TERMINALS
- COMPLIES TO
- RATED TEMPERATURE

PAPER IMPREGNATED

ALUMINIUM FOIL

275 V AC

16 A

± 20 %

25/100/21/B

-25 ° TO +100 °C

X1 CAPACITOR 1790 V DC, 2 s

Y2 CAPACITOR 2050 V AC, 2 s

$R_i \geq 6000 \text{ M}\Omega$

THERMOPLASTIC CAN, SEALED WITH
SYNTHETICAL RESIN, FLAME RETARDANT

FAST-ON CONNECTORS 6.3x0.8 CuZn/Sn

IEC/UL/CSA 60384-14

v_u 85 °C

STANDARD VALUES KPB7341

CAPACITANCE	
CLASS X1 (μF)	CLASS Y2 (pF)
0.1	2 x 0.0027
0.1	2 x 0.0047
0.1	2 x 0.0050
0.1	2 x 0.0750
0.1	2 x 0.010
0.1	2 x 0.015
0.1	2 x 0.022
0.1	2 x 0.027

APPROVAL:

