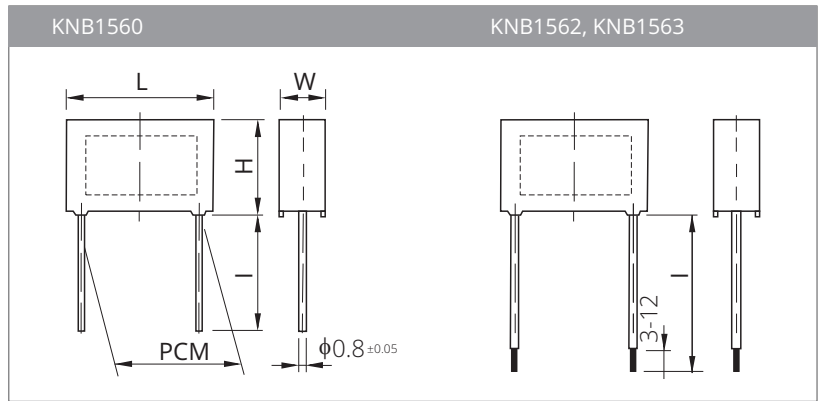
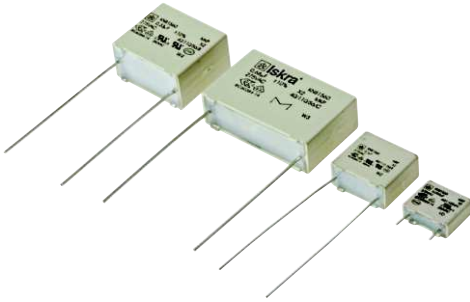


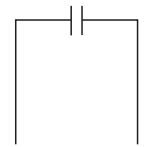
# CAPACITORS

## TYPE KNB1560, KNB1562, KNB1563

CLASS X2  
275 V AC



### ELECTRICAL CONNECTION



### TECHNICAL DATA

■ CONSTRUCTION	POLYPROPYLENE FILM, METALLIZED
■ RATED VOLTAGE	275 V AC
■ CAPACITANCE TOLERANCE	± 20 % FOR C ≤ 0.1 μF ± 10 % FOR C > 0.1 μF
■ CLIMATIC CATEGORY	40/100/56 ACC. TO IEC 60068-1
■ PASSIVE FLAMMABILITY	ACC. TO IEC 60384-14
■ TEMPERATURE RANGE	-40 ° to +110 °C
■ TEST VOLTAGE	2200 V DC, 1 s FOR C ≤ 1 μF 1900 V DC, 1 s FOR C > 1 μF
■ MAX. PULSE RISE TIME du/dt, AT 390 V DC ACC. TO IEC 60384-14	500 V / μs FOR PCM C > 1 μF 400 V / μs FOR PCM = 15 mm C > 0.022 μF 250 V / μs FOR PCM = 15 mm C > 0.022 μF 150 V / μs FOR PCM = 22.5 mm 100 V / μs FOR PCM = 27.5 mm 500 V / μs FOR PCM = 7.5 mm MINIATURE VERSION 350 V / μs FOR PCM = 10 mm MINIATURE VERSION
■ INSULATION RESISTANCE AT 20 °C, U <sub>m</sub> = 100 V DC, t = 1 min	R <sub>i</sub> ≥ 15000 MΩ FOR C ≤ 0.33 μF R <sub>i</sub> × C <sub>n</sub> ≥ 5000 s FOR C > 0.33 μF
■ DIELECTRIC LOSS TAN δ AT F = 1 KHZ AND 20 °C	≤ 1 × 10 <sup>-3</sup>
■ SOLDERING	IEC 60068-2-20, MAX. 2 s
■ RESISTANCE TO SOLDERING HEAT	IEC 60068-2-20, 260 °C ± 5 °C, 10 s ± 1 s
■ SELF INDUCTANCE	APPROX. 10 nH/cm OF CAPACITOR LENGTH AND TERMINALS
■ COMPLIES TO	IEC 60384-14, UL 60384-14 CSA 60384-14
■ APPLICATION	FOR USE IN PARALLEL WITH MAINS, FOR USE IN SERIES WITH MAINS AVAILABLE IN CUSTOM DESIGN (CD) VERSION

# CAPACITORS

## TYPE KNB1560, KNB1562, KNB1563

CASING: THERMOPLASTIC  
(PP OR ON REQUEST PBT HF)  
SEALED WITH SYNTHETICAL RESIN

THERMOPLASTIC MATERIAL AND SYNTHETICAL RESIN ARE SELF-EXTINGUISHING ACCORDING TO UL 94. CLASS V-0.

### TERMINALS

TYPE	TERMINAL LENGTH	TYPE OF TERMINALS
KNB1560	3 <sup>+0.5</sup> , 4 <sup>+0.5</sup> , 6 <sup>-1</sup> , 9 <sup>+1</sup> , 15 <sup>+2</sup> , 20 <sup>+2</sup> , 25 <sup>+5</sup> , 30 <sup>+5</sup> , 50 <sup>+5</sup> mm, OTHER ON REQUEST	TINNED COPPER WIRE
KNB1562	20 TO 200 mm	INSULATED STRANDED WIRE 0.5 mm <sup>2</sup>
KNB1563	20 TO 200 mm	INSULATED STRANDED WIRE 0.8 mm <sup>2</sup>

### STANDARD VALUES KNB1560, KNB1562, KNB1563, 275 V AC, CLASS X2

CAPACITANCE C (μF)	DIMENSIONS						FOR CAPACITORS WITH INSULATED LEADS ON REQUEST	
	L (mm)	H (mm)	W (mm)	PCM (mm)	ø (mm)		 UL 60384-14 CSA 60384-14 275 V AC	 IEC 60384-14 275 V AC
0.01	13	9	4	10	0.6	●	●	●
0.015	13	9	4	10	0.6	●	●	●
0.022	13	9	4	10	0.6	●	●	●
0.033	13	9	4	10	0.6	●	●	●
0.033	13	10.5	5	10	0.6	●	●	●
0.047	13	10.5	5	10	0.6	●	●	●
0.047	13	11.5	6	10	0.6	●	●	●
0.068	13	11	5.5	10	0.6	●	●	●
0.1	13	12	6	10	0.6	●	●	●
0.01	18	11	5	15	0.8	●	●	●
0.015	18	11	5	15	0.8	●	●	●
0.022	18	11	5	15	0.8	●	●	●
0.033	18	11	5	15	0.8	●	●	●
0.047	18	11	5	15	0.8	●	●	●
0.068	18	11	5	15	0.8	●	●	●
0.1	18	11	5.5	15	0.8	●	●	●
0.12	18	12	6	15	0.8	●	●	●
0.15	18	13	7	15	0.8	●	●	●
0.22	18	14.5	8.2	15	0.8	●	●	●
0.27	18	14.5	9	15	0.8	●	●	●
0.33	18	16	9.5	15	0.8	●	●	●
0.33	18	19.5	7.5	15	0.8	●	●	●
0.47	18	18.5	11	15	0.8	●	●	●
0.56	18	20	12.5	15	0.8	●	●	●
0.15	26.5	14	6	22.5	0.8	●	●	●
0.22	26.5	14	6	22.5	0.8	●	●	●
0.27	26.5	15	6	22.5	0.8	●	●	●
0.33	26.5	16	7	22.5	0.8	●	●	●
0.47	26.5	17	8.5	22.5	0.8	●	●	●
0.56	26.5	18.5	9	22.5	0.8	●	●	●
0.68	26.5	18.5	10	22.5	0.8	●	●	●
1	26.5	21.5	12.5	22.5	0.8	●	●	●
0.47	31.5	16	7.5	27.5	0.8	●	●	●
0.56	32	17	9	27.5	0.8	●	●	●
0.68	32	17	9	27.5	0.8	●	●	●
1	32	20	11	27.5	0.8	●	●	●
1.5	31.5	23.5	14	27.5	0.8	●	●	●
2.2	31.5	26.5	17	27.5	0.8	●	●	●

● APPROVALS IN USE

# CAPACITORS

## TYPE KNB1560, KNB1562, KNB1563

### STANDARD VALUES KNB1560, KNB1562, KNB1563, 275 V AC, CLASS X2, MINIATURE VERSION

CAPACITANCE		DIMENSIONS						FOR CAPACITORS WITH INSULATED LEADS ON REQUEST	
C (µF)	TOLERANCE ± (%)	L (mm)	H (mm)	W (mm)	PCM (mm)	 UL 60384-14 CSA 60384-14 275 V AC		 IEC 60384-14 275 V AC	
0.01	20	10.5	9	4	7.5	0.6	●	●	●
0.015	20	10.5	9	4	7.5	0.6	●	●	●
0.022	20	10.5	9	4	7.5	0.6	●	●	●
0.033	20	10.5	10	5	7.5	0.6	●	●	●
0.047	20	10.5	11	5.5	7.5	0.6	●	●	●
0.068	10, 20	13	11	5.5	10	0.6	●	●	●
0.1	20	13	11	5	10	0.6	●	●	●
0.1	10, 20	13	11	5.5	10	0.6	●	●	●
0.1	10, 20	18	11	5	15	0.8	●	●	●
0.12	20	18	11	5	15	0.8	●	●	●
0.12	10, 20	18	11	5.5	15	0.8	●	●	●
0.15	20	18	11	5.5	15	0.8	●	●	●
0.15	10, 20	18	12	6	15	0.8	●	●	●
0.18	10, 20	18	12	6	15	0.8	●	●	●
0.22	20	18	12.5	6.5	15	0.8	●	●	●
0.22	10, 20	18	13	7	15	0.8	●	●	●
0.27	20	18	13	7	15	0.8	●	●	●
0.27	10, 20	18	13.5	7.5	15	0.8	●	●	●
0.33	10, 20	18	16	7.5	15	0.8	●	●	●
0.33	10, 20	18	14.5	8.2	15	0.8	●	●	●
0.39	20	18	19.5	7.5	15	0.8	●	●	●
0.39	10, 20	18	16.5	8.5	15	0.8	●	●	●
0.47	20	18	16	9.5	15	0.8	●	●	●
0.47	10, 20	18	18.5	9	15	0.8	●	●	●
0.56	20	18	18.5	9	15	0.8	●	●	●
0.56	10, 20	18	19	10	15	0.8	●	●	●
0.56	10, 20	18	18.5	11	15	0.8	●	●	●
0.68	20	18	18.5	11	15	0.8	●	●	●
0.68	10, 20	18	22	10	15	0.8	●	●	●
0.68	10, 20	18	20	11	15	0.8	●	●	●
0.68	10, 20	18	20	12.5	15	0.8	●	●	●
0.82	10, 20	18	20	12.5	15	0.8	●	●	●
1	10, 20	18	25	12.5	15	0.8	●	●	●
1	10, 20	18	17	19.5	15	0.8	●	●	●
0.47	10, 20	26.5	16	7	22.5	0.8	●	●	●
0.56	10, 20	26.5	16.5	7.5	22.5	0.8	●	●	●
0.68	10, 20	26.5	17	8.5	22.5	0.8	●	●	●
0.82	10, 20	26.5	18.5	9	22.5	0.8	●	●	●
1	10, 20	26.5	19.5	10	22.5	0.8	●	●	●
1	10, 20	27	20	10.5	22.5	0.8	●	●	●
1.2	10, 20	26.5	20.5	11	22.5	0.8	●	●	●
1.5	10, 20	26.5	21.5	12.5	22.5	0.8	●	●	●
1.8	10, 20	27	23	14	22.5	0.8	●	●	●
2.2	10, 20	26.5	26.5	14.5	22.5	0.8	●	●	●
2.2	10, 20	27	25	16	22.5	0.8	●	●	●
1	10, 20	31.5	19	10	27.5	0.8	●	●	●
1.5	10, 20	31.5	21	12	27.5	0.8	●	●	●
2.2	10, 20	31.5	23.5	14	27.5	0.8	●	●	●
2.7	10, 20	32	28.5	15	27.5	0.8	●	●	●
3.3	10, 20	31.5	26.5	17	27.5	0.8	●	●	●
3.9	10, 20	31.5	32	18	27.5	0.8	●	●	●
4.7	10, 20	31.5	33	20	27.5	0.8	●	●	●
5.6	10, 20	31.5	35.5	24	27.5	0.8	●	●	●
6.8	10, 20	32	39	24	27.5	0.8	●	●	●

\* MINI SIZE MARKING WITH  EXCEPT PCM 7.5 mm

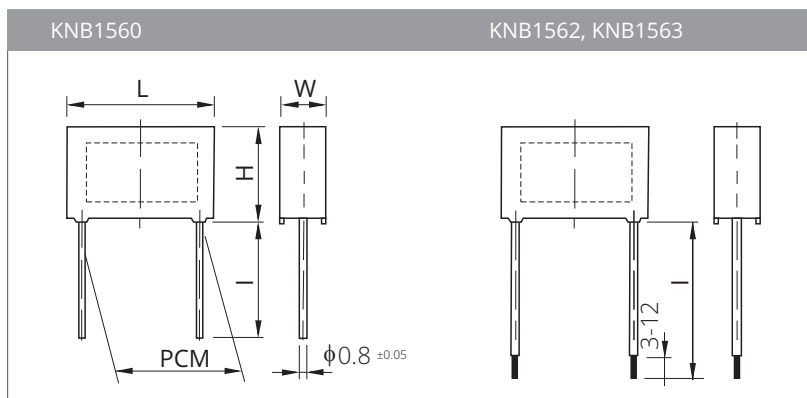
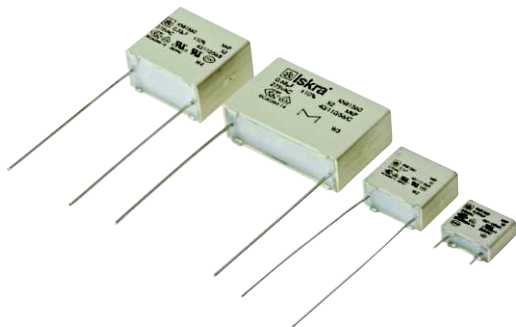
- APPROVALS IN USE
- APPROVALS IN PENDING

**NOTE:**  
 BOLD-FACE PRINTED ALTERNATIVE BODY DIMENSIONS UPON REQUEST.  
 CQC DOES NOT APPLY FOR PP CASE PCM = 15 mm (C=0.82 µF AND 1 µF) AND PCM ≥ 22.5 mm

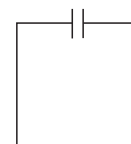
# CAPACITORS

## TYPE KNB1560, KNB1562, KNB1563

**CLASS X2**  
275 V AC  
+125 °C



### ELECTRICAL CONNECTION



### TECHNICAL DATA




■ CONSTRUCTION	POLYPROPYLENE FILM, METALLIZED
■ RATED VOLTAGE	275 V AC
■ CAPACITANCE TOLERANCE	$\pm 20 \%$ , $\pm 10 \%$
■ CLIMATIC CATEGORY	40/100/56 ACC. TO IEC 60068-1
■ PASSIVE FLAMMABILITY	ACC. TO IEC 60384-14
■ TEMPERATURE RANGE	-40 ° TO +125 °C
■ TEST VOLTAGE	2200 V DC, for 1 s
■ MAX. PULSE RISE TIME du/dt, AT 390 V DC	550 V / ms FOR PCM = 7.5 mm 350 V / ms FOR PCM = 10 mm 200 V / ms FOR PCM = 15 mm
■ PULSE TEST CONDITIONS	ACC. TO IEC 60384-14
■ INSULATION RESISTANCE AT 20 °C, $U_m = 100$ V DC, $t = 1$ min	$R_i \geq 15000$ M $\Omega$ FOR $C_x \leq 0.33$ $\mu$ F $R_i \times C_x \geq 5000$ s FOR $C_x > 0.33$ $\mu$ F
■ DIELECTRIC LOSS TAN $\delta$ AT F = 1 kHz AND 20 °C	$\leq 1 \times 10^{-3}$
■ SOLDERING	IEC 60068-2-20, MAX. 2 s
■ RESISTANCE TO SOLDERING HEAT	IEC 60068-2-20, 260 °C $\pm 5$ °C, 10 s $\pm 1$ s
■ SELF INDUCTANCE	APPROX. 10 nH/cm OF CAPACITOR LENGTH AND TERMINALS
■ COMPLIES TO	IEC 60384-14, UL 60384-14 CSA 60384-14
■ APPLICATION	FOR USE IN PARALLEL WITH MAINS, FOR USE IN SERIES WITH MAINS AVAILABLE IN CUSTOM DESIGN (CD) VERSION

# CAPACITORS

## TYPE KNB1560, KNB1562, KNB1563

CASING: THERMOPLASTIC (PP OR ON REQUEST PBT HF) SEALED WITH SYNTHETICAL RESIN	THERMOPLASTIC MATERIAL AND SYNTHETICAL RESIN ARE SELF-EXTINGUISHING ACCORDING TO UL 94. CLASS V-0.	
<b>TERMINALS</b>		
TYPE	TERMINAL LENGTH	TYPE OF TERMINALS
KNB1560	4 <sup>+0.5</sup> , 6 <sup>-1</sup> , 25 <sup>+5</sup> mm, OTHER ON REQUEST	TINNED COPPER WIRE
KNB1562	20 TO 200 mm	INSULATED STRANDED WIRE 0.5 mm <sup>2</sup>
KNB1563	20 TO 200 mm	INSULATED STRANDED WIRE 0.8 mm <sup>2</sup> . END TERMINALS ON REQUEST

### STANDARD VALUES KNB1560, KNB1562, KNB1563, 275 V AC, CLASS X2, + 125 °C, MINIATURE VERSION

CAPACITANCE		DIMENSIONS					 IEC 60384-14 275 V AC	FOR CAPACITORS WITH INSULATED LEADS ON REQUEST	
C (µF)	TOLERANCE ± (%)	L (mm)	H (mm)	W (mm)	PCM (mm)	Ø (mm)		 UL 60384-14 CSA 60384-14 275 V AC	 IEC 60384-14 275 V AC
0.01	20	10.5	9	4	7.5	0.6	●	●	●
0.015	20	10.5	9	4	7.5	0.6	●	●	●
0.022	20	10.5	9	4	7.5	0.6	●	●	●
0.033	20	10.5	10	5	7.5	0.6	●	●	●
0.047	20	10.5	11	5.5	7.5	0.6	●	●	●
0.068	20	13	11	5.5	10	0.6	●	●	●
0.1	20	13	12	6	10	0.6	●	●	●
0.1	10, 20	18	11	5	15	0.8	●	●	●
0.12	20	18	11	5	15	0.8	●	●	●
0.12	10, 20	18	11	5.5	15	0.8	●	●	●
0.15	20	18	11	5.5	15	0.8	●	●	●
0.15	10, 20	18	12	6	15	0.8	●	●	●
0.18	10, 20	18	12	6	15	0.8	●	●	●
0.22	20	18	12.5	6.5	15	0.8	●	●	●
0.22	10, 20	18	13	7	15	0.8	●	●	●
0.27	20	18	13	7	15	0.8	●	●	●
0.27	10, 20	18	13.5	7.5	15	0.8	●	●	●
0.33	10, 20	18	16	7.5	15	0.8	●	●	●
0.33	10, 20	18	14.5	8.2	15	0.8	●	●	●
0.39	20	18	19.5	7.5	15	0.8	●	●	●
0.39	10, 20	18	16.5	8.5	15	0.8	●	●	●
0.47	20	18	16	9.5	15	0.8	●	●	●
0.47	10, 20	18	18.5	9	15	0.8	●	●	●
0.56	20	18	18.5	9	15	0.8	●	●	●
0.56	10, 20	18	19	10	15	0.8	●	●	●
0.56	10, 20	18	18.5	11	15	0.8	●	●	●
0.68	20	18	18.5	11	15	0.8	●	●	●
0.68	10, 20	18	22	10	15	0.8	●	●	●
0.68	10, 20	18	20	11	15	0.8	●	●	●
0.68	10, 20	18	20	12.5	15	0.8	●	●	●

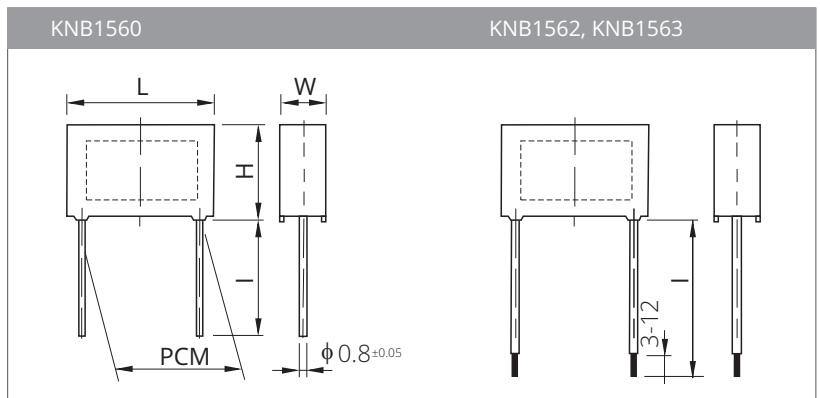
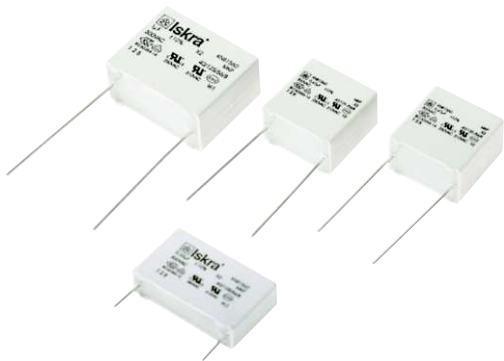
\* MINI SIZE MARKING WITH  EXCEPT PCM 7.5 mm

- APPROVALS IN USE
- APPROVALS IN PENDING

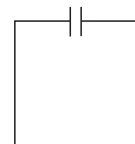
# CAPACITORS

## TYPE KNB1560, KNB1562, KNB1563

**CLASS X2**  
300 V AC  
+125 °C



### ELECTRICAL CONNECTION



### TECHNICAL DATA




■ CONSTRUCTION	POLYPROPYLENE FILM, METALLIZED
■ RATED VOLTAGE	300 V AC
■ CAPACITANCE TOLERANCE	± 20 % FOR $C \leq 0.1 \mu\text{F}$ ± 10 % FOR $C > 0.1 \mu\text{F}$
■ CLIMATIC CATEGORY	40/100/56 ACC. TO IEC 60068-1
■ PASSIVE FLAMMABILITY	ACC. TO IEC 60384-14
■ TEMPERATURE RANGE	-40 ° to +125 °C
■ TEST VOLTAGE	2200 V DC, 1 s FOR $C \leq 1 \mu\text{F}$ 1900 V DC, 1 s FOR $C > 1 \mu\text{F}$
■ MAX. PULSE RISE TIME $du/dt$ , AT 390 V DC ACC. TO IEC 60384-14	500 V / $\mu\text{s}$ FOR PCM $C > 1 \mu\text{F}$ 400 V / $\mu\text{s}$ FOR PCM = 15 mm $C > 0.022 \mu\text{F}$ 250 V / $\mu\text{s}$ FOR PCM = 15 mm $C > 0.022 \mu\text{F}$ 150 V / $\mu\text{s}$ FOR PCM = 22.5 mm 100 V / $\mu\text{s}$ FOR PCM = 27.5 mm
■ PULSE TEST	ACC. TO IEC 60384-14
■ INSULATION RESISTANCE AT 20 °C, $U_m = 100 \text{ V DC}$ , $t = 1 \text{ min}$	$R_i \geq 15000 \text{ M}\Omega$ FOR $C \leq 0.33 \mu\text{F}$ $R_i \times C_n \geq 5000 \text{ s}$ FOR $C > 0.33 \mu\text{F}$
■ DIELECTRIC LOSS $\text{TAN} \delta$ AT $F = 1 \text{ kHz}$ AND 20 °C	$\leq 1 \times 10^{-3}$
■ SOLDERING	IEC 60068-2-20, max. 2 s
■ RESISTANCE TO SOLDERING HEAT	IEC 60068-2-20, 260 °C ± 5 °C, 10 s ± 1 s
■ SELF INDUCTANCE	APPROX. 10 nH/cm OF CAPACITOR LENGTH AND TERMINALS
■ COMPLIES TO	IEC 60384-14, UL 60384-14 CSA 60384-14
■ APPLICATION	FOR USE IN PARALLEL WITH MAINS, FOR USE IN SERIES WITH MAINS AVAILABLE IN CUSTOM DESIGN (CD) VERSION

# CAPACITORS

## TYPE KNB1560, KNB1562, KNB1563

CASING: THERMOPLASTIC (PP OR ON REQUEST PBT HF) SEALED WITH SYNTHETICAL RESIN	THERMOPLASTIC MATERIAL AND SYNTHETICAL RESIN ARE SELF-EXTINGUISHING ACCORDING TO UL 94. CLASS V-0.	
<b>TERMINALS</b>		
TYPE	TERMINAL LENGHT	TYPE OF TERMINALS
KNB1560	3 <sup>+0.5</sup> , 4 <sup>+0.5</sup> , 6 <sup>-1</sup> , 9 <sup>+1</sup> , 15 <sup>+2</sup> , 20 <sup>+2</sup> , 25 <sup>+5</sup> , 30 <sup>+5</sup> , 50 <sup>+5</sup> mm, OTHER ON REQUEST	TINNED COPPER WIRE
KNB1562	20 TO 200 mm	INSULATED STRANDED WIRE 0.5 mm <sup>2</sup>
KNB1563	20 TO 200 mm	INSULATED STRANDED WIRE 0.8 mm <sup>2</sup> . END TERMINALS ON REQUEST

### STANDARD VALUES KNB1560, KNB1562, KNB1563, 300 V AC, CLASS X2, +125 °C

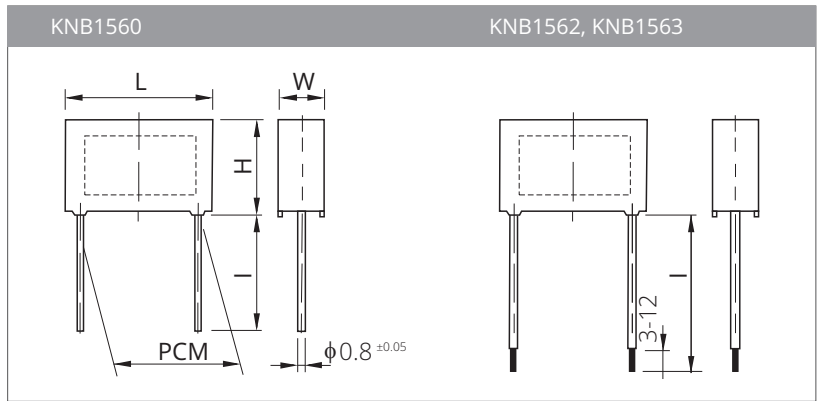
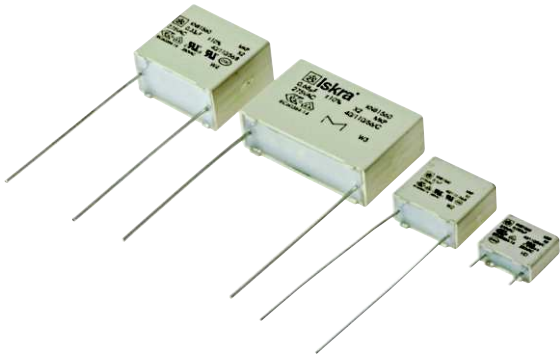
CAPACITANCE C (µF)	DIMENSIONS					 IEC 60384-14 300 V AC	FOR CAPACITORS WITH INSULATED LEADS ON REQUEST	
	L (mm)	H (mm)	W (mm)	PCM (mm)	Ø (mm)		 UL 60384-14 CSA 60384-14 300 V AC	 IEC 60384-14 300 V AC
0.01	13	9	4	10	0.6	●	●	●
0.015	13	9	4	10	0.6	●	●	●
0.022	13	9	4	10	0.6	●	●	●
0.033	13	9	4	10	0.6	●	●	●
0.033	13	10.5	5	10	0.6	●	●	●
0.047	13	10.5	5	10	0.6	●	●	●
0.047	13	11.5	6	10	0.6	●	●	●
0.068	13	11	5.5	10	0.6	●	●	●
0.1	13	12	6	10	0.6	●	●	●
0.01	18	11	5	15	0.8	●	●	●
0.015	18	11	5	15	0.8	●	●	●
0.022	18	11	5	15	0.8	●	●	●
0.033	18	11	5	15	0.8	●	●	●
0.047	18	11	5	15	0.8	●	●	●
0.068	18	11	5	15	0.8	●	●	●
0.1	18	11	5.5	15	0.8	●	●	●
0.12	18	12	6	15	0.8	●	●	●
0.15	18	13	7	15	0.8	●	●	●
0.22	18	14.5	8.2	15	0.8	●	●	●
0.27	18	14.5	9	15	0.8	●	●	●
0.33	18	16	9.5	15	0.8	●	●	●
0.33	18	19.5	7.5	15	0.8	●	●	●
0.47	18	18.5	11	15	0.8	●	●	●
0.56	18	20	12.5	15	0.8	●	●	●
0.15	26.5	14	6	22.5	0.8	●	●	●
0.22	26.5	14	6	22.5	0.8	●	●	●
0.27	26.5	15	6	22.5	0.8	●	●	●
0.33	26.5	16	7	22.5	0.8	●	●	●
0.47	26.5	17	8.5	22.5	0.8	●	●	●
0.56	26.5	18.5	9	22.5	0.8	●	●	●
0.68	26.5	18.5	10	22.5	0.8	●	●	●
1	26.5	21.5	12.5	22.5	0.8	●	●	●
0.47	31.5	16	7.5	27.5	0.8	●	●	●
0.56	32	17	9	27.5	0.8	●	●	●
0.68	32	17	9	27.5	0.8	●	●	●
1	32	20	11	27.5	0.8	●	●	●
1.5	31.5	23.5	14	27.5	0.8	●	●	●
2.2	31.5	26.5	17	27.5	0.8	●	●	●

● APPROVALS IN USE

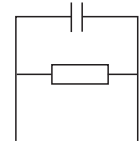
# CAPACITORS WITH DISCHARGE RESISTOR

## TYPE KNB1560, KNB1562, KNB1563

CLASS X2  
275 V AC



### ELECTRICAL CONNECTION



### TECHNICAL DATA

■ CONSTRUCTION: - CAPACITOR - RESISTOR	POLYPROPYLENE FILM, METALLIZED METALOXIDE FILM
■ RATED VOLTAGE	275 V AC
■ CAPACITANCE TOLERANCE	$\pm 20\%$ FOR $C \leq 0.1 \mu\text{F}$ $\pm 10\%$ FOR $C > 0.1 \mu\text{F}$
■ RESISTANCE TOLERANCE	$\pm 5\%$
■ RESISTANCE POWER	0.6 W
■ CLIMATIC CATEGORY	40/100/56 ACC. TO IEC 60068-1
■ PASSIVE FLAMMABILITY	ACC. TO IEC 60384-14
■ TEMPERATURE RANGE	$-40^\circ\text{C}$ to $+110^\circ\text{C}$
■ TEST VOLTAGE	1700 V DC, 1 s
■ MAX. PULSE RISE TIME $du/dt$ , AT 390 V DC	250 V / $\mu\text{s}$ FOR PCM = 15 mm 150 V / $\mu\text{s}$ FOR PCM = 22.5 mm
■ PULSE TEST	ACC. TO IEC 60384-14
■ SOLDERING	IEC 60068-2-20, MAX. 2 s
■ RESISTANCE TO SOLDERING HEAT	IEC 60068-2-20, $260^\circ\text{C} \pm 5^\circ\text{C}$ , $10\text{ s} \pm 1\text{ s}$
■ SELF INDUCTANCE	APPROX. 10 nH/cm OF CAPACITOR LENGTH AND TERMINALS
■ COMPLIES TO	IEC 60384-14, UL 60384-14, CSA 60384-14
■ APPLICATION	FOR USE IN PARALLEL WITH MAINS, FOR USE IN SERIES WITH MAINS AVAILABLE IN CUSTOM DESIGN (CD) VERSION



# CAPACITORS WITH DISCHARGE RESISTOR

## TYPE KNB1560, KNB1562, KNB1563




CASING: THERMOPLASTIC  
(PP OR ON REQUEST PBT HF)  
SEALED WITH SYNTHETICAL RESIN

THERMOPLASTIC MATERIAL AND SYNTHETICAL RESIN ARE SELF-EXTINGUISHING ACCORDING TO UL 94. CLASS V-0.

### TERMINALS

TYPE	TERMINAL LENGHT	TYPE OF TERMINALS
KNB1560	3 <sup>+0.5</sup> , 4 <sup>+0.5</sup> , 6 <sup>-1</sup> , 9 <sup>+1</sup> , 15 <sup>+2</sup> , 20 <sup>+2</sup> , 25 <sup>+5</sup> , 30 <sup>+5</sup> , 50 <sup>+5</sup> mm, OTHER ON REQUEST	TINNED COPPER WIRE
KNB1562	20 TO 200 mm	INSULATED STRANDED WIRE 0.5 mm <sup>2</sup>
KNB1563	20 TO 200 mm	INSULATED STRANDED WIRE 0.8 mm <sup>2</sup> . END TERMINALS ON REQUEST

### STANDARD VALUES KNB1560, KNB1562, KNB1563, 275 V AC, CLASS X2, WITH DISCHARGE RESISTOR

CAPACITANCE C (μF)	RESISTANCE R (KΩ)	DIMENSIONS				 IEC 60384-14 275 V AC	FOR CAPACITORS WITH INSULATED LEADS ON REQUEST	
		L (mm)	H (mm)	W (mm)	PCM (mm)		 UL 60384-14 CSA 60384-14 275 V AC	 IEC 60384-14 275 V AC
0.047	470 TO 2700	18	12	6	15	●	●	●
0.068		18	12	6	15	●	●	●
0.1		18	13	7	15	●	●	●
0.15		18	14.5	8.2	15	●	●	●
0.22		18	16.5	8.5	15	●	●	●
0.33		18	18.5	11	15	●	●	●
0.33		26.5	16.5	8.5	22.5	●	●	●
0.47	26.5	18.5	9	22.5	●	●	●	

RESISTANCE VALUES ACCORDING TO IEC 60063 RANGE E12.

● APPROVALS IN USE