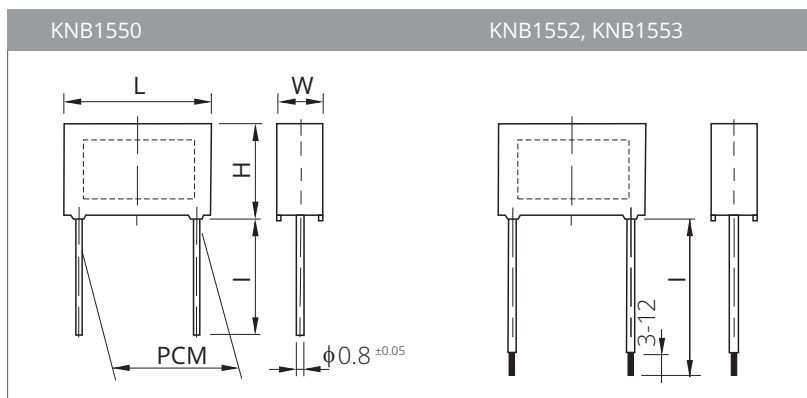
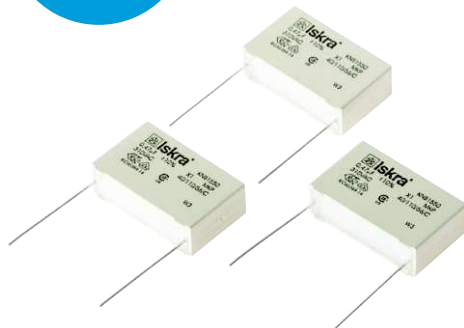


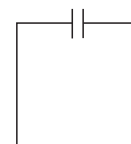
CAPACITORS

TYPE KNB1550, KNB1552, KNB1553

CLASS X1
310 V AC
+110 °C



ELECTRICAL CONNECTION



TECHNICAL DATA

■ CONSTRUCTION	POLYPROPYLENE FILM, METALLIZED
■ RATED VOLTAGE	310 V AC
■ CAPACITANCE TOLERANCE	± 20 % FOR $C \leq 0.1 \mu\text{F}$ ± 10 % FOR $C > 0.1 \mu\text{F}$
■ CLIMATIC CATEGORY	40/110/56 ACC. TO IEC 60068-1
■ PASSIVE FLAMMABILITY	ACC. TO IEC 60384-14
■ TEMPERATURE RANGE	-40 ° to +110 °C
■ TEST VOLTAGE	3000 V DC, 1 s FOR $C < 1 \mu\text{F}$ 2800 V DC, 1 s FOR $C \geq 1 \mu\text{F}$
■ MAX. PULSE RISE TIME du/dt , AT 438 V DC	600 V / μs FOR $\text{PCM} = 11 \text{ mm}$ 500 V / μs FOR $\text{PCM} = 15 \text{ mm}$ 400 V / μs FOR $\text{PCM} = 22.5 \text{ mm}$ 200 V / μs FOR $\text{PCM} = 27.5 \text{ mm}$ PULSE TEST ACC. TO IEC 60384-14
■ INSULATION RESISTANCE AT 20 °C , $U_m = 100 \text{ V DC}$, $t = 1 \text{ min}$	$R_i \geq 15000 \text{ M}\Omega$ FOR $C \leq 0.33 \mu\text{F}$ $R_i \times C_n \geq 5000 \text{ s}$ FOR $C > 0.33 \mu\text{F}$
■ DIELECTRIC LOSS $\tan\delta$ AT $F = 1 \text{ kHz}$ AND 20 °C	$\leq 1 \times 10^{-3}$
■ SOLDERING	IEC 60068-2-20, MAX. 2 s
■ RESISTANCE TO SOLDERING HEAT	IEC 60068-2-20, 260 °C ± 5 °C, 10 s ± 1 s
■ SELF INDUCTANCE	APPROX. 10 nH/cm OF CAPACITOR LENGTH AND TERMINALS
■ COMPLIES TO	IEC 60384-14, UL 60384-14 CSA 60384-14
■ APPLICATION	FOR USE IN PARALLEL MAINS, FOR USE IN SERIES WITH MAINS AVAILABLE IN CUSTOM DESIGN (CD) VERSION

CAPACITORS

TYPE KNB1550, KNB1552, KNB1553




CASING: THERMOPLASTIC
(PP OR ON REQUEST PBT HF)
SEALED WITH SYNTHETICAL RESIN

THERMOPLASTIC MATERIAL AND SYNTHETICAL RESIN ARE SELF-EXTINGUISHING ACCORDING TO UL 94, CLASS V-0.

TERMINALS

TYPE	TERMINAL LENGHT	TYPE OF TERMINALS
KNB1550	4 ^{±0.5} , 6 ⁻¹ , 25 ^{±5} , 30 ^{±5} mm, OTHER ON REQUEST	TINNED COPPER WIRE
KNB1552	20 TO 200 mm	INSULATED STRANDED WIRE 0.5 mm ²
KNB1553	20 TO 200 mm	INSULATED STRANDED WIRE 0.8 mm ² . END TERMINALS ON REQUEST

STANDARD VALUES KNB1550, KNB1552, KNB1553, 310 V AC, +110 °C, CLASS X1

CAPACITANCE C (µF)	DIMENSIONS					 IEC 60384-14 310 V AC	 UL 60384-14 CSA 60384-14 310 V AC	 IEC 60384-14 310 V AC
	L (mm)	H (mm)	W (mm)	PCM (mm)	Ø (mm)			
0.01	13	9.5	4.3	10	0.6	●	●	●
0.015	13	10.5	5	10	0.6	●	●	●
0.022	13	11.5	6	10	0.6	●	●	●
0.033	13	13.5	6	10	0.6	●	●	●
0.01	18	11	5	15	0.8	●	●	●
0.015	18	11	5	15	0.8	●	●	●
0.022	18	11	5	15	0.8	●	●	●
0.033	18	11	5	15	0.8	●	●	●
0.047	18	12	6	15	0.8	●	●	●
0.068	18	13	7	15	0.8	●	●	●
0.1	18	13.5	7.5	15	0.8	●	●	●
0.15	18	16	9.5	15	0.8	●	●	●
0.22	18	18.5	11	15	0.8	●	●	●
0.1	26.5	14	6	22.5	0.8	●	●	●
0.15	26.5	14	6	22.5	0.8	●	●	●
0.22	26.5	16.4	8.5	22.5	0.8	●	●	●
0.33	26.5	18.5	10	22.5	0.8	●	●	●
0.47	26.5	21.5	12.5	22.5	0.8	●	●	●
0.33	31.5	17	9	27.5	0.8	●	●	●
0.47	31.5	19	10	27.5	0.8	●	●	●
0.68	31.5	22	13	27.5	0.8	●	●	●
1	32	24.5	15	27.5	0.8	●	●	●
1.5	31.5	32	18	27.5	0.8	●	●	●
2.2	31.5	35.5	24	27.5	0.8	●	●	●

● APPROVALS IN USE

NOTE:
APPROVAL CQC ONLY FOR PBT HF CASE.