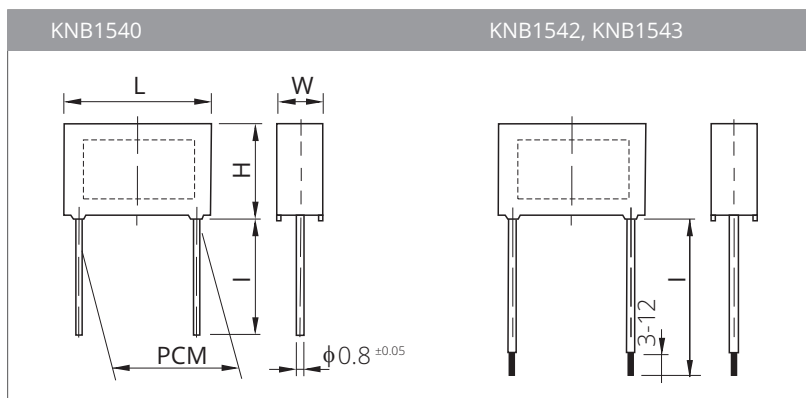
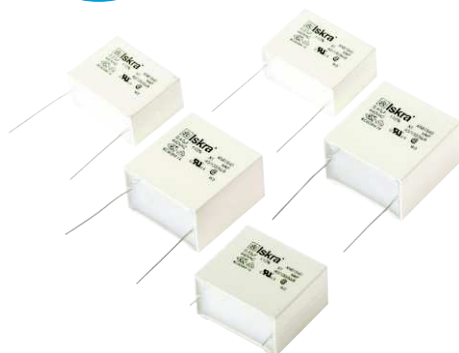


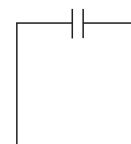
CAPACITORS

TYPE KNB1540, KNB1542, KNB1543

CLASS X1
440 V AC



ELECTRICAL CONNECTION



TECHNICAL DATA

■ CONSTRUCTION	POLYPROPYLENE FILM, METALLIZED
■ RATED VOLTAGE	440 V AC
■ CAPACITANCE TOLERANCE	± 20 % FOR C ≤ 0.1 μF ± 10 % FOR C > 0.1 μF
■ CLIMATIC CATEGORY	40/100/56 ACC. TO IEC 60068-1
■ PASSIVE FLAMMABILITY	ACC. TO IEC 60384-14
■ TEMPERATURE RANGE	-40 °C TO +100 °C
■ TEST VOLTAGE	3500 V DC, 1 s
■ MAX. PULSE RISE TIME du/dt, AT 622 V DC	3000 V / μs FOR PCM = 15 mm 1500 V / μs FOR PCM = 22.5 mm 1100 V / μs FOR PCM = 27.5 mm ACC. TO IEC 60384-14
■ INSULATION RESISTANCE AT 20 °C, U _m = 100 V DC, t = 1 min	R _i ≥ 15000 MΩ FOR C ≤ 0.33 μF R _i × C _n ≥ 5000 s FOR C > 0.33 μF
■ DIELECTRIC LOSS tanδ AT F = 1 kHz AND 20 °C	≤ 5 × 10 ⁻⁴
■ SOLDERING	IEC 60068-2-20, MAX. 2 s
■ RESISTANCE TO SOLDERING HEAT	IEC 60068-2-20, 260 °C ± 5 °C, 10 s ± 1 s
■ SELF INDUCTANCE	APPROX. 10 nH/cm OF CAPACITOR LENGTH AND TERMINALS
■ COMPLIES TO	IEC 60384-14, UL 60384-14 CSA 60384-14
■ APPLICATION	FOR USE IN PARALLEL MAINS, FOR USE IN SERIES WITH MAINS AVAILABLE IN CUSTOM DESIGN (CD) VERSION

CAPACITORS

TYPE KNB1540, KNB1542, KNB1543

CASING: THERMOPLASTIC (PP OR ON REQUEST PBT HF) SEALED WITH SYNTHETICAL RESIN	THERMOPLASTIC MATERIAL AND SYNTHETICAL RESIN ARE SELF-EXTINGUISHING ACCORDING TO UL 94, CLASS V-0.	
TERMINALS		
TYPE	TERMINAL LENGHT	TYPE OF TERMINALS
KNB1540	3 ^{+0.5} , 4 ^{+0.5} , 6 ⁻¹ , 9 ⁺¹ , 15 ⁺² , 20 ⁺² , 25 ⁺⁵ , 30 ⁺⁵ , 50 ⁺⁵ mm, OTHER ON REQUEST	TINNED COPPER WIRE
KNB1542	20 TO 200 mm	INSULATED STRANDED WIRE 0.5 mm ²
KNB1543	20 TO 200 mm	INSULATED STRANDED WIRE 0.8 mm ² . END TERMINALS ON REQUEST

STANDARD VALUES KNB1540, KNB1542, KNB1543, 440 V AC, CLASS X1

CAPACITANCE C (µF)	DIMENSIONS				 IEC 60384-14 440 V AC	FOR CAPACITORS WITH INSULATED LEADS ON REQUEST	
	L (mm)	H (mm)	W (mm)	PCM (mm)		 UL 60384-14 CSA 60384-14 440 V AC	 IEC 60384-14 440 V AC
0.0022	18	11	5.5	15	●	●	●
0.0033	18	11	5.5	15	●	●	●
0.0047	18	11	5.5	15	●	●	●
0.0068	18	11	5.5	15	●	●	●
0.01	18	12	6	15	●	●	●
0.015	18	13	7	15	●	●	●
0.022	18	14.5	8.5	15	●	●	●
0.033	18	18.5	9	15	●	●	●
0.047	18	20	12.5	15	●	●	●
0.047	18	11	5	15	●	●	●
0.015	27	15	6.5	22.5	●	●	●
0.022	27	15	6.5	22.5	●	●	●
0.033	27	15	6.5	22.5	●	●	●
0.047	27	16.5	7	22.5	●	●	●
0.068	27	18.5	8.5	22.5	●	●	●
0.1	27	20	10.5	22.5	●	●	●
0.15	27	23	14	22.5	●	●	●
0.22	27	25	16	22.5	●	●	●
0.1	32	19	10	27.5	●	●	●
0.15	32	20	11	22.5	●	●	●
0.22	32	23.5	14	27.5	●	●	●
0.27	32	24.5	15	22.5	●	●	●
0.33	32	28	18	27.5	●	●	●
0.47	32	33	20	22.5	●	●	●
0.68	32	39	24	27.5	●	●	●

● APPROVALS IN USE

NOTE:
APPROVAL CQC ONLY FOR PBT HF CASE.