

Chip Type, 105°C Use, Low ESR, High CV Capacitors

GREEN CAP

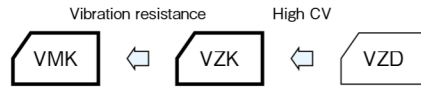
SMD

Low ESR

105°C 2000hours

Anti-cleaning solvent

- Compatible with surface mounting.
- Supplied with carrier taping.
- Guaranteed 2000 hours at 105°C.



Marking color : Black print

Specifications

Item	Performance		
Category temperature range (°C)	- 55 to + 105		
Tolerance at rated capacitance (%)	± 20 (20°C , 120Hz)		
Leakage current (μA) (max.)	0.01CV or 3 whichever is larger (after 2 minutes) C : Rated capacitance (μF) ; V : Rated voltage (V) (20°C)		
Tangent of loss angle (tan δ)	Rated voltage (V)	25	
	tan δ (max.)	0.14	
Characteristics at high and low temperature	Rated voltage (V)	35	
	Impedance ratio (max.)	Z- 25°C / Z+ 20°C	2
		Z- 40°C / Z+ 20°C	3
		Z- 55°C / Z+ 20°C	3
Endurance (105°C) (Applied ripple current)	Test time	2000 hours	
	Leakage current	The initial specified value or less	
	Percentage of capacitance change	Within ± 30% of initial value	
	Tangent of the loss angle	200% or less of the initial specified value	
Shelf life (105°C)	Test time : 1000hours ; other items are same as the endurance. Voltage application treatment : According to JIS C5101-4 4.1		
Applicable standards	JIS C5101-1, -18 (IEC 60384-1, -18)		

Coefficient of Frequency for Rated Ripple Current

Frequency (Hz)	50 · 60	120	1k	10k · 100k
Rated voltage (V) 25 to 35	0.50	0.50	0.75	1

Refer to individual page.
(Soldering conditions, Land pattern size, The taping specifications)

Product code system (*For general product)

Standard Type (example : 35V680μF)

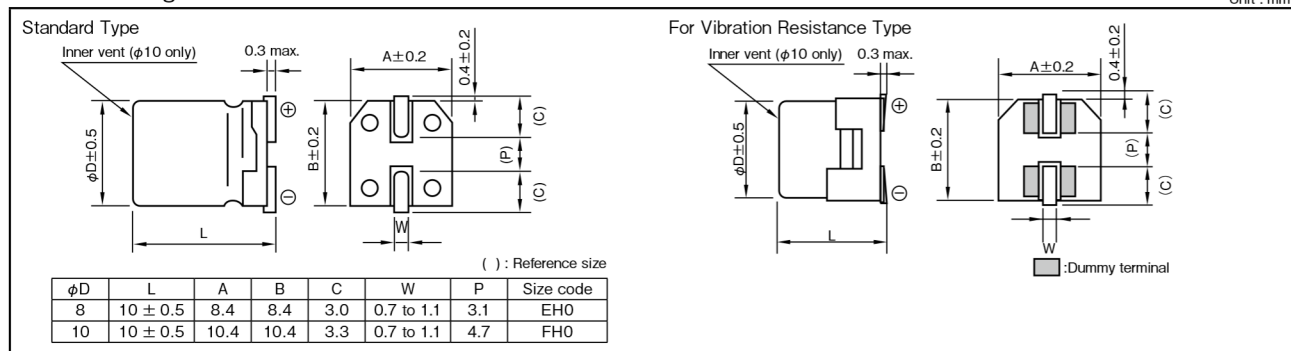
RS*	VZK	681	M	1G	FH0	□	U
Category code	Series code	capacitance code	Cap tol. code	Voltage code	Size code	Taping and packing code	Additional code

For Vibration Resistance Type (example : 35V680μF)

RS*	VMK	681	M	1G	FH0	□	U
Category code	Series code	capacitance code	Cap tol. code	Voltage code	Size code	Taping and packing code	Additional code

For details, refer to the various "Product Code System" pages.

Outline Drawing



Standard Ratings

Rated voltage (V)	Item	25 (1T)			35 (1G)			
		Case φD × L (mm)	Size code	ESR (Ω max.)	Rated ripple current (mArms)	Case φD × L (mm)	Size code	ESR (Ω max.)
470	—	—	—	—	8 × 10	EH0	0.08	850
560	8 × 10	EH0	0.08	850	—	—	—	—
680	—	—	—	—	10 × 10	FH0	0.06	1190
1000	10 × 10	FH0	0.06	1190	—	—	—	—

(Note) Rated ripple current : 105°C , 100kHz
ESR : 20°C , 100kHz

NOTE : Design, Specifications are subject to change without notice.
It is recommended that you shall obtain technical specifications from ELNA to ensure that the component is suitable for your use.