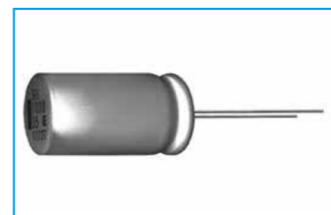
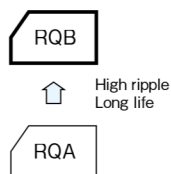


150°C Miniature Capacitors

GREEN CAP LOW ESR 150°C 2000hours Anti-cleaning solvent

- 150°C, High temperature guaranteed.
- Guaranteed 2000 hours at 150°C.

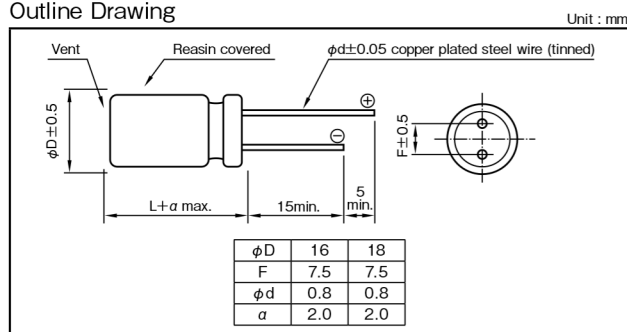


Marking color : Black print

Specifications

Item	Performance	
Category temperature range (°C)	- 40 to + 150	
Tolerance at rated capacitance (%)	± 20 (20°C, 120Hz)	
Leakage current (μA) (max.)	0.01CV or 3 whichever is larger (after 2 minutes) C : Rated capacitance (μF) ; V: Rated voltage (V) (20°C)	
Tangent of loss angle (tan δ)	Rated voltage (V)	35 50
	tan δ (max.)	0.12 0.10
0.02 is added to every 1000μF increase over 1000μF (20°C, 120Hz)		
Characteristics at high and low temperature	Rated voltage (V)	35 50
	Impedance ratio (max.) Z- 40°C / Z+ 20°C	3 3
(120Hz)		
Endurance (105°C) (Applied ripple current)	Test time	2000 hours
	Leakage current	The initial specified value or less
	Percentage of capacitance change	Within ± 30% of initial value
	Tangent of the loss angle	300% or less of the initial specified value
Shelf life (150°C)	Test time : 1000hours ; other items are same as the endurance. Voltage application treatment : According to JIS C5101-4 4.1	
Applicable standards	JIS C5101-1, -4 (IEC 60384-1, -4)	

Outline Drawing



Coefficient of Frequency for Rated Ripple Current

Rated capacitance (μF)	Frequency (Hz)			
	120	1k	10k	100k
1300 to 4700	0.85	0.95	1.00	1

Product code system : 35V2200μF (*For general product)

RS*	RQB	222	M	1G	J26		T
Category code	Series code	capacitance code	Cap tol. code	Voltage code	Size code	Lead-forming and packing code	Additional code

For details, refer to the various "Product Code System" pages.

Standard Ratings

Case size φD×L (mm)	Rated voltage (V)	Item	35 (1G)			50 (1U)			
			Rated capacitance (μF)	ESR (Ω max.)		Rated capacitance (μF)	ESR (Ω max.)		Rated ripple current (mArms)
				20°C	- 40°C		20°C	- 40°C	
16 × 26.5	J26	2200	0.038	0.380	1800	1300	0.040	0.400	1800
16 × 33	J33	2700	0.032	0.320	2200	1800	0.038	0.380	2200
16 × 37	J37	3000	0.030	0.300	2600	2000	0.032	0.320	2600
16 × 41.5	J41	3600	0.027	0.270	3000	2400	0.029	0.290	3000
18 × 27.5	K27	2400	0.036	0.360	2200	1800	0.034	0.340	2200
18 × 34	K34	3300	0.028	0.280	2800	2400	0.030	0.300	2700
18 × 42.5	K42	4700	0.023	0.230	3600	3000	0.023	0.230	3700

(Note) Rated ripple current : 150°C, 100kHz ; ESR : 100kHz