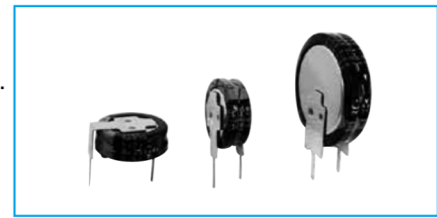


**5.5V Miniaturized Low Resistance Capacitors**

GREEN CAP 70°C

- Internal resistance was reduced to about 1/3 ( $\phi 11.5$ ), compared with CX1 series.
- 5mm tall. Max. thin profile.
- Miniaturized but can encase up to 0.47F in  $\phi 11.5$  case, and 1.5F in  $\phi 19.0$  case.
- It excels in rapid charge.
- Ideal for backing up of CMOS's, IC's of camera, microcomputers, RAM's, RTC's and the like used in audio, general electronic device, and others.



Marking color : White print on an indigo sleeve

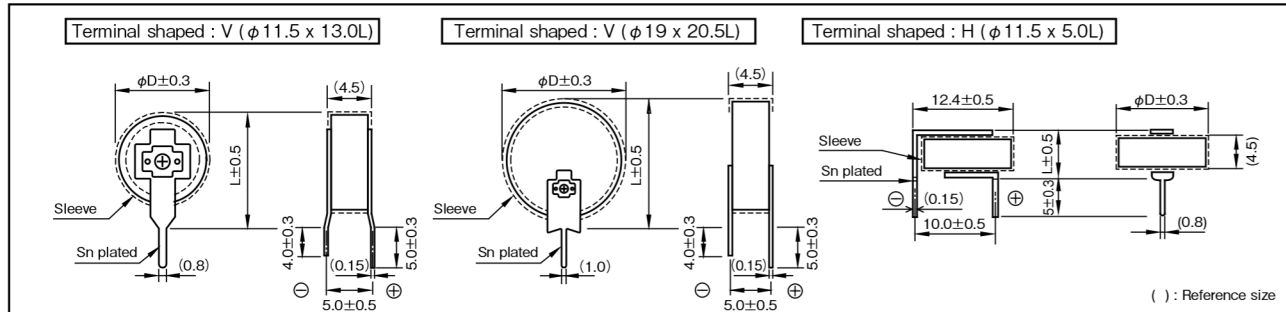


Specifications

Item	Performance																		
Category temperature range (°C)	-25 to +70																		
Tolerance at rated capacitance (%)	-20 to +80																		
Internal resistance at 1 kHz	<table border="1"> <tr> <td>Rated capacitance (F)</td> <td>0.047</td> <td>0.1</td> <td>0.22</td> <td>0.33</td> <td>0.47</td> <td>0.47</td> <td>1</td> <td>1.5</td> </tr> <tr> <td>Internal resistance (<math>\Omega</math> Max.)</td> <td>25</td> <td>25</td> <td>25</td> <td>25</td> <td>25 (<math>\phi 11.5</math>)</td> <td>20 (<math>\phi 19.0</math>)</td> <td>20</td> <td>20</td> </tr> </table>	Rated capacitance (F)	0.047	0.1	0.22	0.33	0.47	0.47	1	1.5	Internal resistance ( $\Omega$ Max.)	25	25	25	25	25 ( $\phi 11.5$ )	20 ( $\phi 19.0$ )	20	20
	Rated capacitance (F)	0.047	0.1	0.22	0.33	0.47	0.47	1	1.5										
Internal resistance ( $\Omega$ Max.)	25	25	25	25	25 ( $\phi 11.5$ )	20 ( $\phi 19.0$ )	20	20											
Characteristics at high and low temperature	Percentage of capacitance change	Within $\pm 30\%$ of the value at 20°C																	
	Internal resistance	Five times or less of the value at 20°C																	
Endurance (70°C)	Test time	1000 hours																	
	Percentage of capacitance change	Within $\pm 30\%$ of the initial measured value																	
	Internal resistance	Four times or less of the initial specified value																	
Shelf life (70°C)	Test time : 1000 hours ; Same as endurance.																		
Applicable standards	Conforms to JIS C5160 - 1 (IEC 62391 - 1)																		

Outline Drawing

Unit : mm



Product code system : 5.5V0.22F (\*For general product)

RS*	CXN	224	5R5			U
Category code	Series code	capacitance code	Voltage code	Size code	Lead-forming and packing code	Additional code

Product code is refer to following table and "Product Code System" pages.

Note

Do not apply external force to products or terminals as stress such as twisting, bending, pushing, or falling of such products or terminals may remove the terminals, resulting in an open/short circuit or liquid leakage.  
Avoid applying excessive heat to capacitors during heating of an adhesive curing oven. For details, refer to the precautions in use of DYNACAP.

Standard Ratings

Max. operating voltage (V)	Rated capacitance (F)	ELNA Parts No.	$\phi D \times L$ (mm)
5.5	0.047	RSCXN4735R5F13□□□U	11.5×13.0
		RSCXN4735R5F05□□□U	11.5× 5.0
5.5	0.1	RSCXN1045R5F13□□□U	11.5×13.0
		RSCXN1045R5F05□□□U	11.5× 5.0
5.5	0.22	RSCXN2245R5F13□□□U	11.5×13.0
		RSCXN2245R5F05□□□U	11.5× 5.0
5.5	0.33	RSCXN3345R5F13□□□U	11.5×13.0
		RSCXN3345R5F05□□□U	11.5× 5.0
5.5	0.47	RSCXN4745R5F13□□□SU	11.5×13.0
		RSCXN4745R5F05□□□SU	11.5× 5.0
		RSCXN4745R5K20□□□U	19.0×20.5
5.5	1	RSCXN1055R5K20□□□U	19.0×20.5
5.5	1.5	RSCXN1555R5K20□□□U	19.0×20.5

\*It can discharge with 1.5 times as much current (mA) as rated capacitance.

NOTE : Design, Specifications are subject to change without notice.  
It is recommended that you shall obtain technical specifications from ELNA to ensure that the component is suitable for your use.