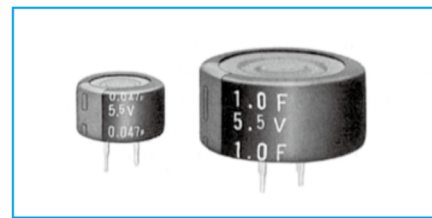


5.5V Wide Temperature Range Capacitors

GREEN CAP 85°C

- It is a category temperature range larger than battery.
- $\phi 13.5$ size can encase up to 0.22F, $\phi 21.5$ size can encase up to 1.0F.
- It excels in rapid charge.
- Ideal for backing up of CMOS IC's, microcomputers, RAM's, RTC's for smart meter, outdoor equipment, auto motive and industrial.



Marking color : White print on an indigo sleeve

Wide temperature range

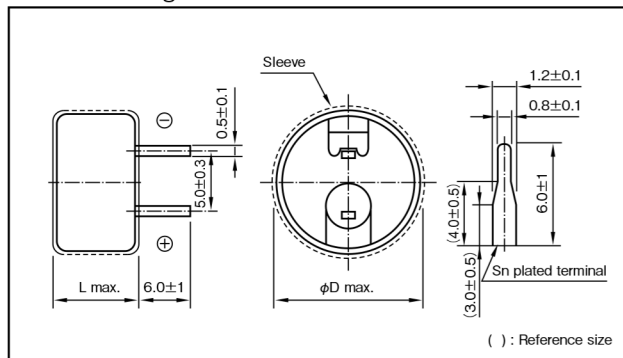


Specifications

Item	Performance														
Category temperature range (°C)	-40 to +85														
Tolerance at rated capacitance (%)	-20 to +80														
Internal resistance at 1 kHz	<table border="1"> <thead> <tr> <th>Rated capacitance (F)</th> <th>0.047</th> <th>0.1</th> <th>0.22</th> <th>0.47</th> <th>0.68</th> <th>1</th> </tr> </thead> <tbody> <tr> <td>Internal resistance (Ω Max.)</td> <td>40</td> <td>40</td> <td>40</td> <td>20</td> <td>20</td> <td>20</td> </tr> </tbody> </table>	Rated capacitance (F)	0.047	0.1	0.22	0.47	0.68	1	Internal resistance (Ω Max.)	40	40	40	20	20	20
	Rated capacitance (F)	0.047	0.1	0.22	0.47	0.68	1								
Internal resistance (Ω Max.)	40	40	40	20	20	20									
Characteristics at high and low temperature	Percentage of capacitance change	Within $\pm 30\%$ of the value at 20°C													
	Internal resistance	-40°C : Seven times or less of the value at 20°C 85°C : Five times or less of the value at 20°C													
Endurance (85°C)	Test time	1000 hours													
	Percentage of capacitance change	Within $\pm 30\%$ of the initial measured value													
	Internal resistance	Four times or less of the initial specified value													
Shelf life (85°C)	Test time : 1000 hours ; Same as endurance.														
Applicable standards	Conforms to JIS C5160 - 1 (IEC 62391 - 1)														

Outline Drawing

Unit : mm



Product code system : 5.5V0.22F (*For general product)

RS*	CHL	224	5R5	G09		T
Category code	Series code	capacitance code	Voltage code	Size code	Lead-forming and packing code	Additional code

Product code is refer to following table and "Product Code System" pages.

Standard Ratings

Max. operating voltage (V)	Rated capacitance (F)	ELNA Parts No.	$\phi D \times L$ (mm)
5.5	0.047	RSCHL4735R5G09□□□T	13.5×9.5
5.5	0.1	RSCHL1045R5G09□□□T	13.5×9.5
5.5	0.22	RSCHL2245R5G09□□□T	13.5×9.5
5.5	0.47	RSCHL4745R5L09□□□T	21.5×9.5
5.5	0.68	RSCHL6845R5L09□□□T	21.5×9.5
5.5	1	RSCHL1055R5L09□□□T	21.5×9.5

NOTE : Design, Specifications are subject to change without notice.
It is recommended that you shall obtain technical specifications from ELNA to ensure that the component is suitable for your use.