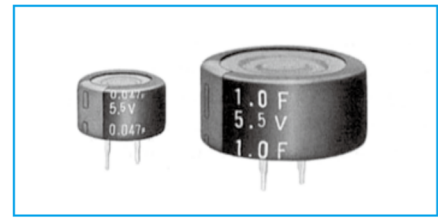


5.5V High Temperature, Long Life Capacitors

GREEN CAP

85°C

- Guarantees 3000 hours at 85°C, 5.5V (10 years at room temperature).
- It is a category temperature range larger than battery.
- It excels in rapid charge.
- Ideal for backing up of CMOS IC's, microcomputers, RAM's, RTC's for smart meter, outdoor equipment, auto motive and industrial.



Marking color : White print on a Black sleeve

Long Life

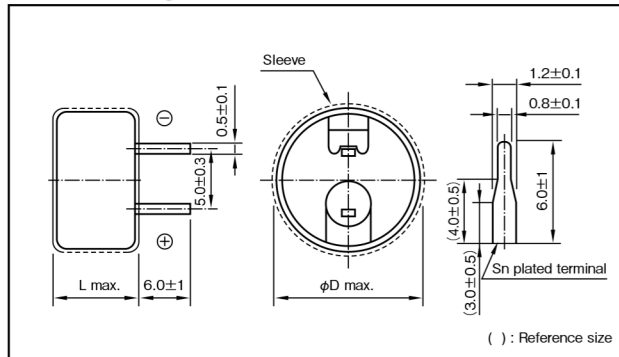


Specifications

Item	Performance														
Category temperature range (°C)	-25 to +85														
Tolerance at rated capacitance (%)	-20 to +80														
Internal resistance at 1 kHz	<table border="1"> <thead> <tr> <th>Rated capacitance (F)</th> <th>0.047</th> <th>0.1</th> <th>0.22</th> <th>0.47</th> <th>0.68</th> <th>1</th> </tr> </thead> <tbody> <tr> <td>Internal resistance (Ω Max.)</td> <td>300</td> <td>200</td> <td>120</td> <td>50</td> <td>50</td> <td>30</td> </tr> </tbody> </table>	Rated capacitance (F)	0.047	0.1	0.22	0.47	0.68	1	Internal resistance (Ω Max.)	300	200	120	50	50	30
	Rated capacitance (F)	0.047	0.1	0.22	0.47	0.68	1								
Internal resistance (Ω Max.)	300	200	120	50	50	30									
Characteristics at high and low temperature	Percentage of capacitance change	Within ±30% of the value at 20°C													
	Internal resistance	Five times or less of the value at 20°C													
Endurance (85°C)	Test time	3000 hours													
	Percentage of capacitance change	Within ±30% of the initial measured value													
	Internal resistance	Four times or less of the initial specified value													
Shelf life (85°C)	Test time : 1000 hours ; Same as endurance.														
Applicable standards	Conforms to JIS C5160 - 1 (IEC 62391 - 1)														

Outline Drawing

Unit : mm



Product code system : 5.5V0.22F (*For general product)

RS*	CHC	224	5R5	G09		T
Category code	Series code	capacitance code	Voltage code	Size code	Lead-forming and packing code	Additional code

Product code is refer to following table and "Product Code System" pages.

Standard Ratings

Max. operating voltage (V)	Rated capacitance (F)	ELNA Parts No.	φD×L (mm)
5.5	0.047	RSCHC4735R5G09□□□T	13.5×9.5
5.5	0.1	RSCHC1045R5G09□□□T	13.5×9.5
5.5	0.22	RSCHC2245R5G09□□□T	13.5×9.5
5.5	0.47	RSCHC4745R5L09□□□T	21.5×9.5
5.5	0.68	RSCHC6845R5L09□□□T	21.5×9.5
5.5	1	RSCHC1055R5L09□□□T	21.5×9.5