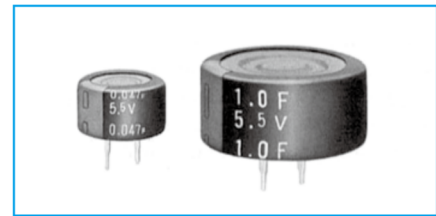


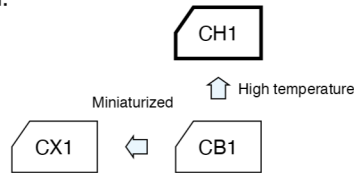
High Temperature Capacitors

GREEN CAP 85°C

- High temperature tolerant (−25 to +85°C) and highly reliable.
- Ideal for backing up of CMOS IC's, microcomputers, RAM's, RTC's for smart meter, outdoor equipment, industrial.



Marking color : White print on an indigo sleeve

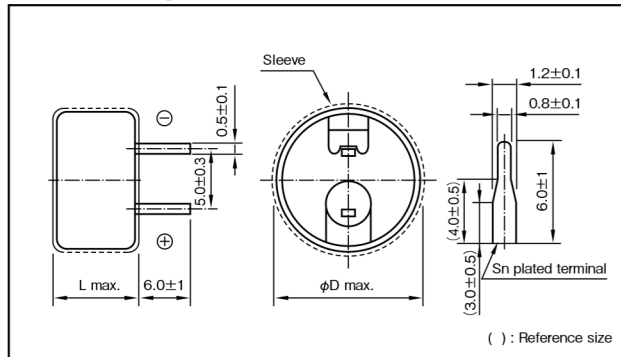


Specifications

Item	Performance						
Category temperature range (°C)	−25 to +85						
Tolerance at rated capacitance (%)	−20 to +80						
Internal resistance at 1 kHz	Rated capacitance (F)	0.047	0.1	0.22	0.47	0.68	1
	Internal resistance (Ω Max.)	300	200	120	50	50	30
Characteristics at high and low temperature	Percentage of capacitance change	Within ±30% of the value at 20°C					
	Internal resistance	Five times or less of the value at 20°C					
Endurance (85°C)	Test time	1000 hours					
	Percentage of capacitance change	Within ±30% of the initial measured value					
	Internal resistance	Four times or less of the initial specified value					
Shelf life (85°C)	Test time : 1000 hours ; Same as endurance.						
Applicable standards	Conforms to JIS C5160 - 1 (IEC 62391 - 1)						

Outline Drawing

Unit : mm



Product code system : 5.5V0.22F (*For general product)

RS*	CH1	224	5R5	G09		T
Category code	Series code	capacitance code	Voltage code	Size code	Lead-forming and packing code	Additional code

Product code is refer to following table and "Product Code System" pages.

Standard Ratings

Max. operating voltage (V)	Rated capacitance (F)	ELNA Parts No.	φD×L (mm)
5.5	0.047	RSCH14735R5G09□□□T	13.5×9.5
5.5	0.1	RSCH11045R5G09□□□T	13.5×9.5
5.5	0.22	RSCH12245R5G09□□□T	13.5×9.5
5.5	0.47	RSCH14745R5L09□□□T	21.5×9.5
5.5	0.68	RSCH16845R5L09□□□T	21.5×9.5
5.5	1	RSCH11055R5L09□□□T	21.5×9.5

NOTE : Design, Specifications are subject to change without notice.
It is recommended that you shall obtain technical specifications from ELNA to ensure that the component is suitable for your use.