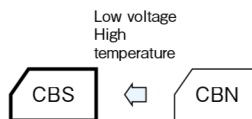


**3.6V Low Profile and Low ESR High Temperature Capacitors**

GREEN  
CAP

85°C

- Long life of 3.6V 2000 hours in small size low ESR.
- For all ratings, uniform 5mm pitch of terminal spacing.
- Wider temperature range (-25 to +85°C) than battery.
- $\phi 13.5 \times 7.5$ mm size can encase up to 0.47F.
- Ideal for backing up of CMOS's, IC's of camera, microcomputers, RAM's, RTC's and the like used in audio, smart meter, general electronic device, and others.
- It excels in rapid charge.



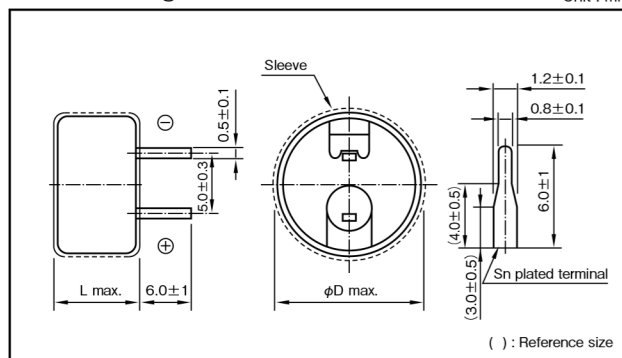
Marking color : White print on a black sleeve

Specifications

Item	Performance	
Category temperature range (°C)	-25 to +85	
Tolerance at rated capacitance (%)	-20 to +80	
Internal resistance at 1 kHz	Rated capacitance (F)	0.047    0.1    0.22    0.33    0.47    0.47    1
	Internal resistance ( $\Omega$ Max.)	25    25    25    25    25 ( $\phi 13.5$ )    20 ( $\phi 21.5$ )    20
Characteristics at high and low temperature	Percentage of capacitance change	Within $\pm 30\%$ of the value at 20°C
	Internal resistance	Five times or less of the value at 20°C
Endurance (85°C)	Test time	2000 hours ( $\phi 13.5$ 0.47F : 1000 hours)
	Percentage of capacitance change	Within $\pm 30\%$ of the initial measured value
	Internal resistance	Four times or less of the initial specified value
Shelf life (85°C)	Test time : 1000 hours ; Same as endurance.	
Applicable standards	Conforms to JIS C5160 - 1 (IEC 62391 - 1)	

Outline Drawing

Unit : mm



Product code system : 3.6V0.22F (\*For general product)

RS*	CBS	224	3R6	G07		T
Category code	Series code	capacitance code	Voltage code	Size code	Lead-forming and packing code	Additional code

Product code is refer to following table and "Product Code System" pages.

Standard Ratings

Max. operating voltage (V)	Rated capacitance (F)	ELNA Parts No.	$\phi D \times L$ (mm)
3.6	0.047	RSCBS4733R6G07□□□T	13.5×7.5
3.6	0.1	RSCBS1043R6G07□□□T	13.5×7.5
3.6	0.22	RSCBS2243R6G07□□□T	13.5×7.5
3.6	0.33	RSCBS3343R6G07□□□T	13.5×7.5
3.6	0.47	RSCBS4743R6G07□□□ST	13.5×7.5
3.6	0.47	RSCBS4743R6L08□□□T	21.5×8.0
3.6	1	RSCBS1053R6L08□□□T	21.5×8.0

\*It can discharge with 1.5 times as much current (mA) as rated capacitance.

NOTE : Design, Specifications are subject to change without notice.  
It is recommended that you shall obtain technical specifications from ELNA to ensure that the component is suitable for your use.