

5.5V Low Resistance GREEN CAP 70°C Low ESR

- Internal resistance was reduced to about 1/3 ($\phi 13.5$), compared with CB1 series.
- It excels in rapid charge.

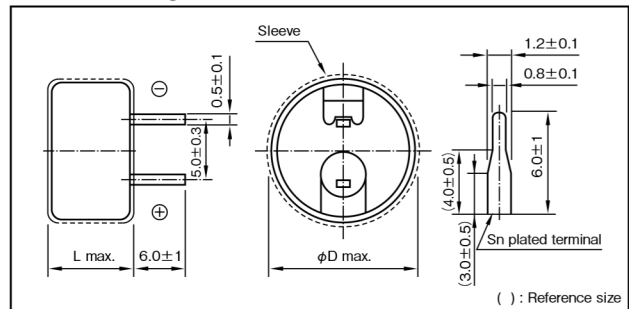


Marking color : White print on an indigo sleeve

Specifications

Item	Performance								
Category temperature range (°C)	-25 to +70								
Tolerance at rated capacitance (%)	-20 to +80								
Internal resistance at 1 kHz	Rated capacitance (F)	0.047	0.1	0.22	0.33	0.47	0.47	1	1.5
	Internal resistance (Ω Max.)	25	25	25	25	25 ($\phi 13.5$)	20 ($\phi 21.5$)	20	20
Characteristics at high and low temperature	Percentage of capacitance change	Within $\pm 30\%$ of the value at 20°C							
	Internal resistance	Five times or less of the value at 20°C							
Endurance (70°C)	Test time	1000 hours							
	Percentage of capacitance change	Within $\pm 30\%$ of the initial measured value							
	Internal resistance	Four times or less of the initial specified value							
Shelf life (70°C)	Test time : 1000 hours ; Same as endurance.								
Applicable standards	Conforms to JIS C5160 - 1 (IEC 62391 - 1)								

Outline Drawing



Product code system : 5.5V0.22F (*For general product)

RS*	CBN	224	5R5	G07		T
Category code	Series code	capacitance code	Voltage code	Size code	Lead-forming and packing code	Additional code

Product code is refer to following table and "Product Code System" pages.

Standard Ratings

Max. operating voltage (V)	Rated capacitance (F)	ELNA Parts No.	$\phi D \times L$ (mm)
5.5	0.047	RSCBN4735R5G07□□□T	13.5×7.5
5.5	0.1	RSCBN1045R5G07□□□T	13.5×7.5
5.5	0.22	RSCBN2245R5G07□□□T	13.5×7.5
5.5	0.33	RSCBN3345R5G07□□□T	13.5×7.5
5.5	0.47	RSCBN4745R5G07□□□ST	13.5×7.5
5.5	0.47	RSCBN4745R5L08□□□T	21.5×8.0
5.5	1	RSCBN1055R5L08□□□T	21.5×8.0
5.5	1.5	RSCBN1555R5L08□□□T	21.5×8.0

*It can discharge with 1.5 times as much current (mA) as rated capacitance.