

## 5.5V Standard Capacitors

GREEN CAP

70°C

- Small-sized, large capacity, excellent voltage holding.
- For all ratings, uniform 5mm pitch of terminal spacing.
- Wider temperature range (-25 to +70°C) than battery.
- $\phi 21.5 \times 8.0$ mm size can encase up to 1.5F.
- Ideal for backing up of CMOS's, IC's of camera, microcomputers, RAM's, RTC's and the like used in audio, general electronic device, and others.

CB1



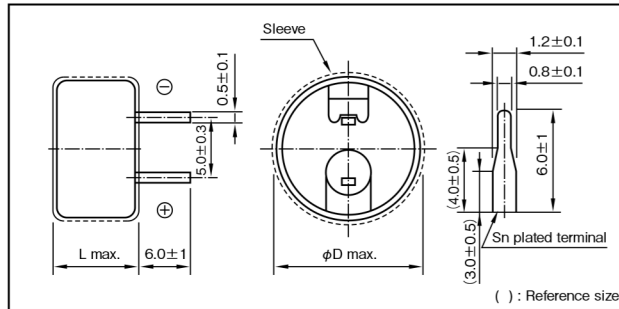
Marking color : White print on an indigo sleeve

### Specifications

Item	Performance								
Category temperature range (°C)	-25 to +70								
Tolerance at rated capacitance (%)	-20 to +80								
Internal resistance at 1 kHz	Rated capacitance (F)	0.047	0.1	0.22	0.33	0.47	0.47	1	1.5
	Internal resistance ( $\Omega$ Max.)	120	75	75	75	75 ( $\phi 13.5$ )	30 ( $\phi 21.5$ )	30	30
Characteristics at high and low temperature	Percentage of capacitance change	Within $\pm 30\%$ of the value at 20°C							
	Internal resistance	Five times or less of the value at 20°C							
Endurance (70°C)	Test time	1000 hours							
	Percentage of capacitance change	Within $\pm 30\%$ of the initial measured value							
	Internal resistance	Four times or less of the initial specified value							
Shelf life (70°C)	Test time : 1000 hours ; Same as endurance.								
Applicable standards	Conforms to JIS C5160 - 1 (IEC 62391 - 1)								

### Outline Drawing

Unit : mm



Product code system : 5.5V0.22F (\*For general product)

RS*	CB1	224	5R5	G07		T
Category code	Series code	capacitance code	Voltage code	Size code	Lead-forming and packing code	Additional code

Product code is refer to following table and "Product Code System" pages.

### Standard Ratings

Max. operating voltage (V)	Rated capacitance (F)	ELNA Parts No.	$\phi D \times L$ (mm)
5.5	0.047	RSCB14735R5G07□□□T	13.5×7.5
5.5	0.1	RSCB11045R5G07□□□T	13.5×7.5
5.5	0.22	RSCB12245R5G07□□□T	13.5×7.5
5.5	0.33	RSCB13345R5G07□□□T	13.5×7.5
5.5	0.47	RSCB14745R5G07□□□ST	13.5×7.5
5.5	0.47	RSCB14745R5L08□□□T	21.5×8.0
5.5	1	RSCB11055R5L08□□□T	21.5×8.0
5.5	1.5	RSCB11555R5L08□□□T	21.5×8.0