



LBL-HE-5620

Product Specification

tion

Model Name	LBL-HE-5620
Issue Date	2016.10.13



Model Name	Dimension (mm)	CCT (K)	CRI	Ordering Code
LBL-HE-5620	560*20*1.0	3000	80	LHE-5620-830
		3500	80	LHE-5620-835
		4000	80	LHE-5620-840
		5000	80	LHE-5620-850
		3000	90	LHE-5620-930
		3500	90	LHE-5620-935
		4000	90	LHE-5620-940

■ Feature

- ✓ Excellent flexibility for Linear application design
- ✓ Variation of color temperatures (3000K, 3500K, 4000K, 5000K)
- ✓ 5 years warranty
- ✓ CRI >90 available
- ✓ 3 SDCM binning
- ✓ Compliant with Zhaga Book 7
- ✓ Narrow width 20mm

■ Application

- ✓ Office lighting
- ✓ General Lighting
- ✓ Industry
- ✓ Retail

Characteristic

LBL-HE-5620

Product Specification

■ Optical Characteristics (Tc=55°C)

LHE-5620-830

Parameter	Min.	Typical	Max.	Unit
Luminous Flux ⁽¹⁾	2070	2310		lm
Forward Current		350		mA
Color Temperature ⁽²⁾		3000		K
Color Rendering Index ⁽³⁾	80			-

LHE-5620-835

Parameter	Min.	Typical	Max.	Unit
Luminous Flux ⁽¹⁾	2190	2380		lm
Forward Current		350		mA
Color Temperature ⁽²⁾		3500		K
Color Rendering Index ⁽³⁾	80			-

LHE-5620-840

Parameter	Min.	Typical	Max.	Unit
Luminous Flux ⁽¹⁾	2260	2430		lm
Forward Current		350		mA
Color Temperature ⁽²⁾		4000		K
Color Rendering Index ⁽³⁾	80			-

LHE-5620-850

Parameter	Min.	Typical	Max.	Unit
Luminous Flux ⁽¹⁾	2230	2470		lm
Forward Current		350		mA
Color Temperature ⁽²⁾		5000		K
Color Rendering Index ⁽³⁾	80			-

LHE-5620-930

Parameter	Min.	Typical	Max.	Unit
Luminous Flux ⁽¹⁾	1670	1890		lm
Forward Current		350		mA
Color Temperature ⁽²⁾		3000		K
Color Rendering Index ⁽³⁾	90			-

LHE-5620-935

Parameter	Min.	Typical	Max.	Unit
Luminous Flux ⁽¹⁾	1800	1950		lm
Forward Current		350		mA
Color Temperature ⁽²⁾		3500		K
Color Rendering Index ⁽³⁾	90			-

LHE-5620-940

Parameter	Min.	Typical	Max.	Unit
Luminous Flux ⁽¹⁾	1850	1990		lm
Forward Current		350		mA
Color Temperature ⁽²⁾		4000		K
Color Rendering Index ⁽³⁾	90			-

Notes:

- (1) Measurement tolerance of luminous flux is $\pm 7\%$.
- (2) Correlated Color Temperature is derived from the CIE 1931 Chromaticity diagram.
- (3) Measurement tolerance of CRI is ± 3 .
- (4) Color consistency is 3 SDCM, measurement tolerance ± 0.005 on x,y.

■ Electrical Characteristics (Tc=55°C)

Parameter	Min	Typ	Max	Unit
Nominal Current		350		mA
Forward Voltage ⁽¹⁾	36.4	39.1	41.8	V

Notes:

(1) The forward voltage tolerance is $\pm 3\%$.

■ Max Rating

Parameter	Min	Typ	Max	Unit
Current I _{max}			700	mA
Case Temperature T _c max			85	°C

■ Thermal Characteristic (350mA, Tc=55°C)

Parameter	Min	Typ	Max	Unit
Thermal Resistance Junction to heat sink		0.75		°C/W
Thermal Resistance Junction to solder pad ⁽¹⁾		17		°C/W

Notes:

(1) The thermal resistance, junction to solder pad, is per LED

■ Lifetime

Parameter	Nominal	Life ⁽¹⁾	Max ⁽²⁾
T _c (°C)	55	80	85
Current (mA)	350	600	700

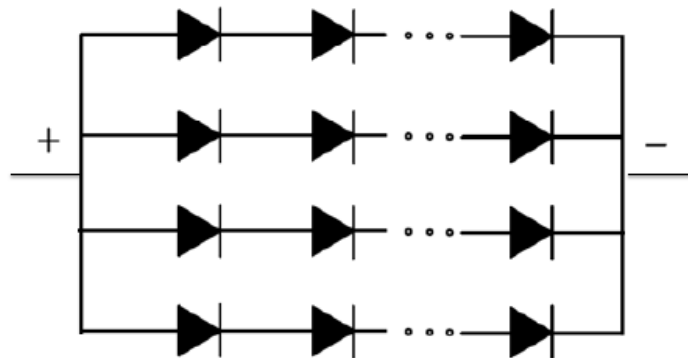
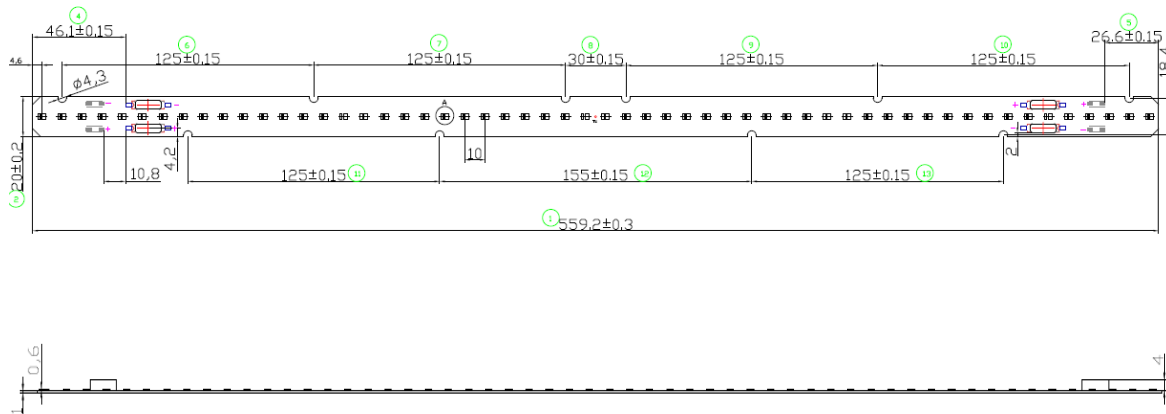
Notes:

(1) Value at which lifetime is specified. (max current for warranty)

(2) Maximum value for operation.

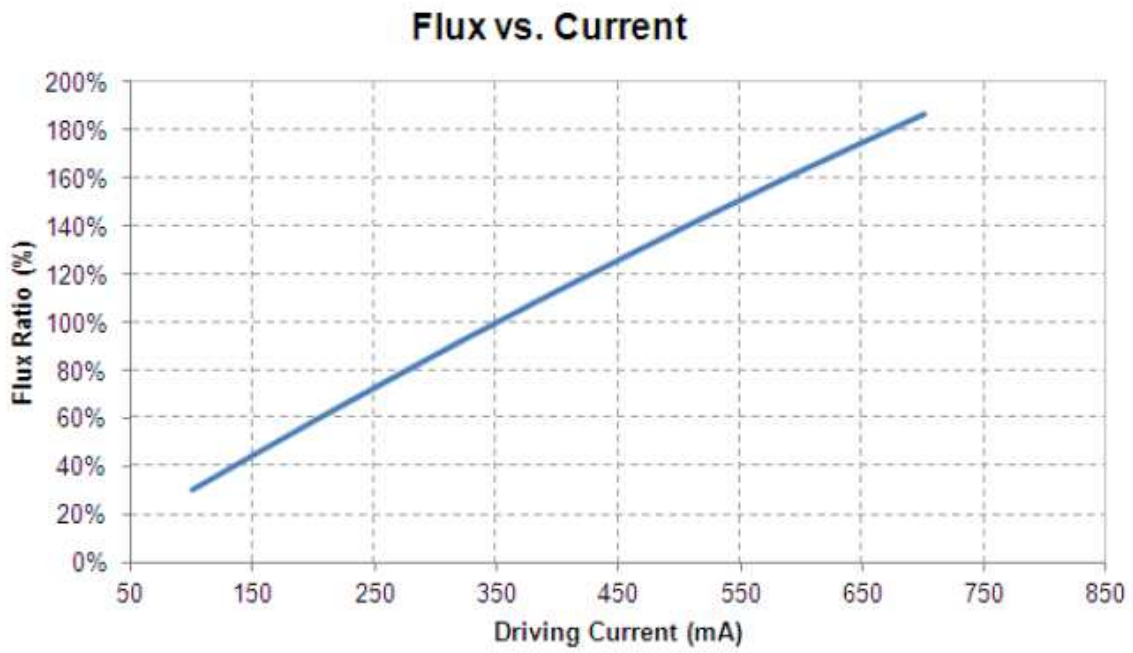
■ Mechanical Characteristic

Parameter	Min	Typ	Max	Unit
Length	558.90	559.20	559.50	mm
Width	19.80	20.00	20.20	mm
Height (Exclude Connector)	0.85	1.00	1.15	mm
Height (Include Connector)	4.65	5.00	5.35	mm

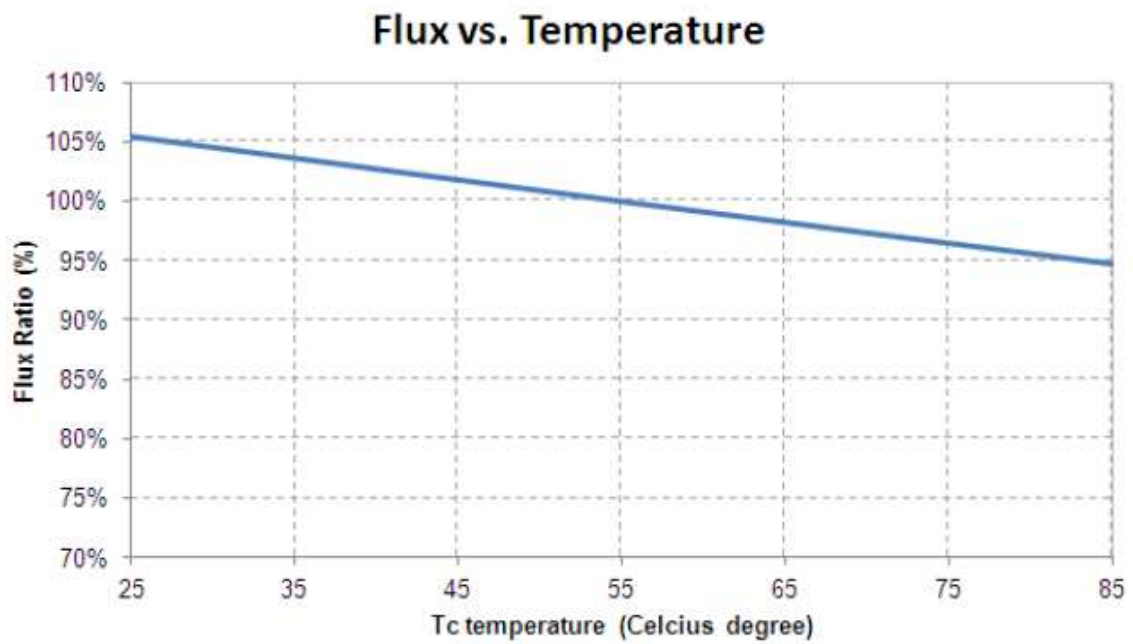


The electric circuit is 14 series 4 parallel.

■ Flux vs. Current



■ Flux vs. Temperature (Tc)



Revision History

LBL-HE-5620
Product Specification

Date	Contents	Writer
2016.09.02	Product Specification version1	Jacqueline
2016.10.13	Product Specification version2	Jacqueline

Lextar Electronics Corp. reserves the right to modify the technical information or data without notification when product improved.