



晶采光電科技股份有限公司  
AMPIRE CO., LTD.

## SPECIFICATIONS FOR LCD MODULE

<b>CUSTOMER</b>	
<b>CUSTOMER PART NO.</b>	
<b>AMPIRE PART NO.</b>	<b>AM-800600P4TMQW-B1H</b>
<b>APPROVED BY</b>	
<b>DATE</b>	

- Approved For Specifications
- Approved For Specifications & Sample

**AMPIRE CO., LTD.**  
4F., No.116, Sec. 1, Xintai 5th Rd., Xizhi Dist., New Taipei City 221,  
Taiwan (R.O.C.)  
22181 新北市 汐止區 新台五路一段 116 號 4 樓(東方科學園區 A 棟)  
TEL:886-2-26967269 , FAX:886-2-26967196 or 26967270

APPROVED BY	CHECKED BY	ORGANIZED BY

## RECORD OF REVISION

Revision Date	Page	Contents	Editor
2015/9/10	--	New Release	Kokai

CONFIDENTIAL

## 1. Features

8 inch Amorphous-TFT-LCD (Thin Film Transistor Liquid Crystal Display) module. This module is composed of a 8" TFT-LCD panel, LED backlight, LED driver unit and power circuit unit.

- (1) Construction: 8" a-Si TFT active matrix, White LED Backlight and power circuit board.
- (2) Resolution (pixel): 800(R.G.B) X600
- (3) Number of the Colors : 262K colors ( R , G , B 6 bit digital each)
- (4) LCD type : Transmissive , normally White
- (5) Interface: RGB interface 40 pin
- (6) Power Supply Voltage: 3.3V for logic voltage, 5.0V for LED driver power voltage.
- (7) Viewing Direction: 6 O'clock ( The direction it's hard to be discolored )

## 2. PHYSICAL SPECIFICATIONS

Item	Specifications	unit
LCD size	8 inch (Diagonal)	
Resolution	800 x 3(RGB) x 600	dot
Dot pitch	0.0675(W) x 0.2025(H)	mm
Active area	162.0(W) x 121.5(H)	mm
Module size	183.0(W) x 141.0(H) x 10.1(D)	mm
Surface treatment	Anti-Glare	
Color arrangement	RGB-stripe	
interface	Digital	

### 3. ABSOLUTE MAX. RATINGS

Item	Symbol	Values		UNIT	Note
		Min.	Max.		
Power voltage	VCC	-0.5	5	V	
	VLED	-0.5	6.0		
Input signal voltage	Vi	-0.3	VCC+0.3	V	Note 1
Operation temperature	TOP	-20	70	°C	
Storage temperature	TST	-30	80	°C	

Note 1: The product is subject to be damaged permanently if stresses beyond those absolute maximum ratings listed above.

Signals include : DCLK, DE, HS, VS, R0~R5, G0~G5, B0~B5.

## 4. ELECTRICAL CHARACTERISTICS

### 4-1 Typical Operation Conditions

Item	Symbol	Values			Unit	Remark	
		MIN	TYP	MAX			
Power Voltage	$V_{CC}$	3.0	3.3	3.6	V	Note 1,2	
Power Consumption	$I_{CC}$	--	123	--	mA	Note 1,2 $V_{CC}=3.3V$	
LED Driver Current Consumption	$I_{LED}$	--	830	--	mA	$V_{LED}=5V$ $V_{ADJ}=3.3V$ (duty 100%)	
Logic Input Voltage	Input Voltage	$V_{IN}$	0	-	$V_{CC}$	V	
	Logic input high voltage	$V_{TH}$	$0.8V_{CC}$	-	$V_{CC}$	V	Note 3
	Logic input low voltage	$V_{TL}$	GND	-	$0.2V_{CC}$	V	Note 3

Note 1: Value for Power Board combined panel.

Note 2:  $V_{CC}$  setting should match the signals output voltage (refer to Note 3) of customer's system board.

Note 3: DCLK, DE, HS, VS, R0~R5, G0~G5, B0~B5.

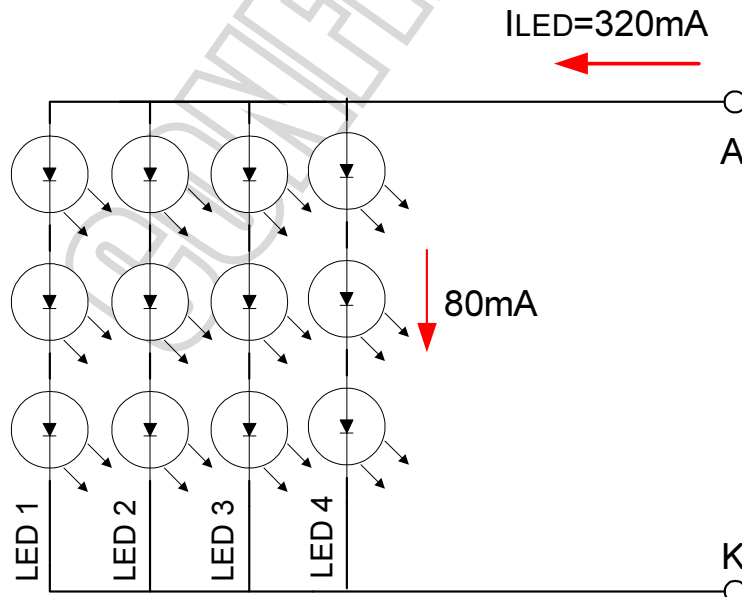
## 4-2 Backlight Driving Conditions

Item	Symbol	Values			Unit	Note
		Min.	Typ.	Max.		
LED Driver voltage	VLED	--	5	5.5	V	
Power Supply Current For LED Driver	ILED	-	830	-	mA	VLED=5V VADJ=3.3V (duty 100%)
ADJ Input Voltage	V <sub>ADJ</sub>	-	3.3	--	V	duty=100% Note(3)
LED voltage	V <sub>AK</sub>	--	9.9	--	V	I <sub>L</sub> =160mA Ta=25°C
LED current	I <sub>L</sub>	324	320	396	mA	Ta=25°C
		--	270	--	mA	Ta=60°C
LED Life Time	-	--	50K	--	Hour	Note (2)

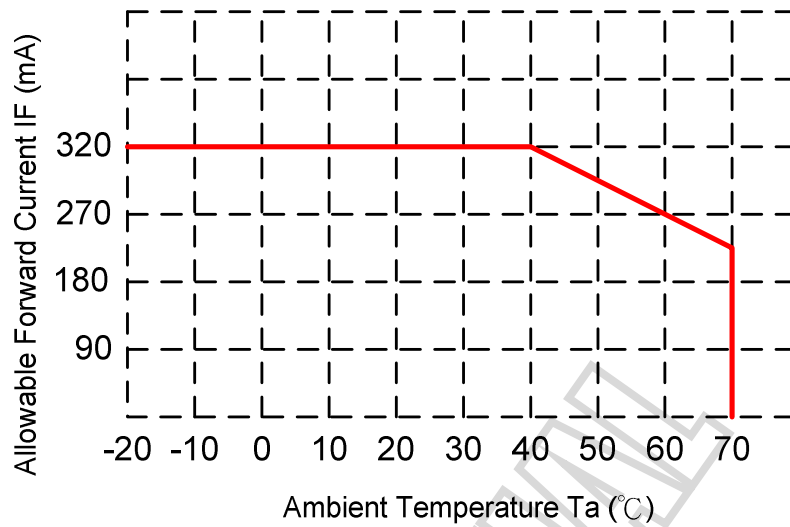
Note (1) The constant current source is needed for white LED back-light driving.

When LCM is operated over 60 deg.C ambient temperature, the I<sub>L</sub> of the LED back-light should be adjusted to 270mA max

Note (2) Brightness to be decreased to 50% of the initial value.

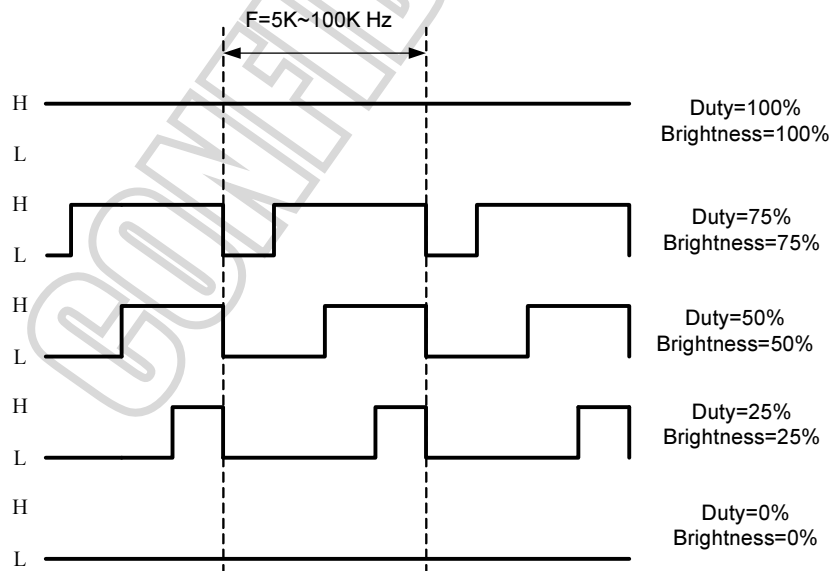


When LCM is operated over 40°C ambient temperature, the ILED should be follow :

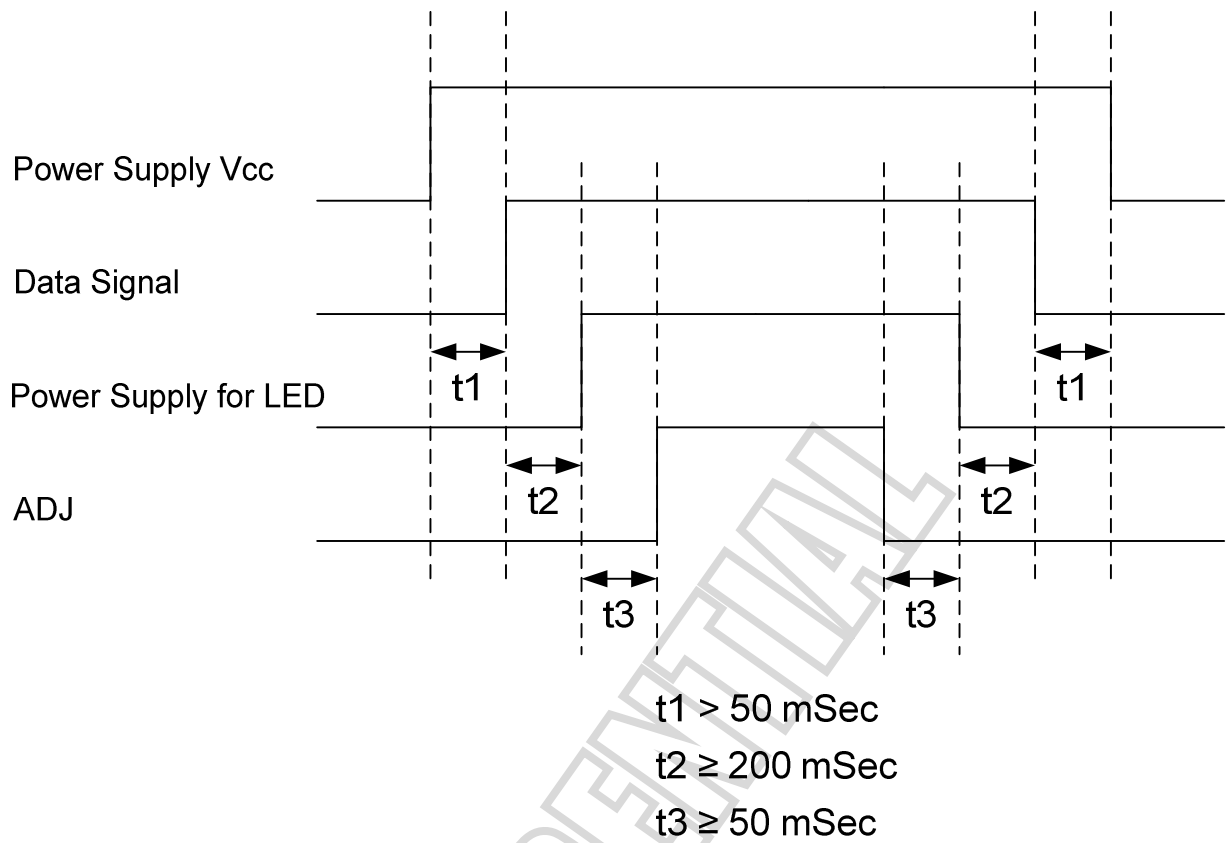


Note(3) VLEDADJ is PWM signal input. It is for brightness control.

ITEM	SYMBOL	MIN	TYP	MAX	UNIT
ADJ signal frequency	f <sub>PWM</sub>	5K	20K	100K	Hz
ADJ signal logic level High	VIH	2.4V	--	VLED (5.0V)	V
ADJ signal logic level Low	VIL	0	--	0.8	V



### 4-3 Power Sequence



Note : Data Signal includes DCLK, DE, HS, VS, R0~R5, G0~G5, B0~B5.



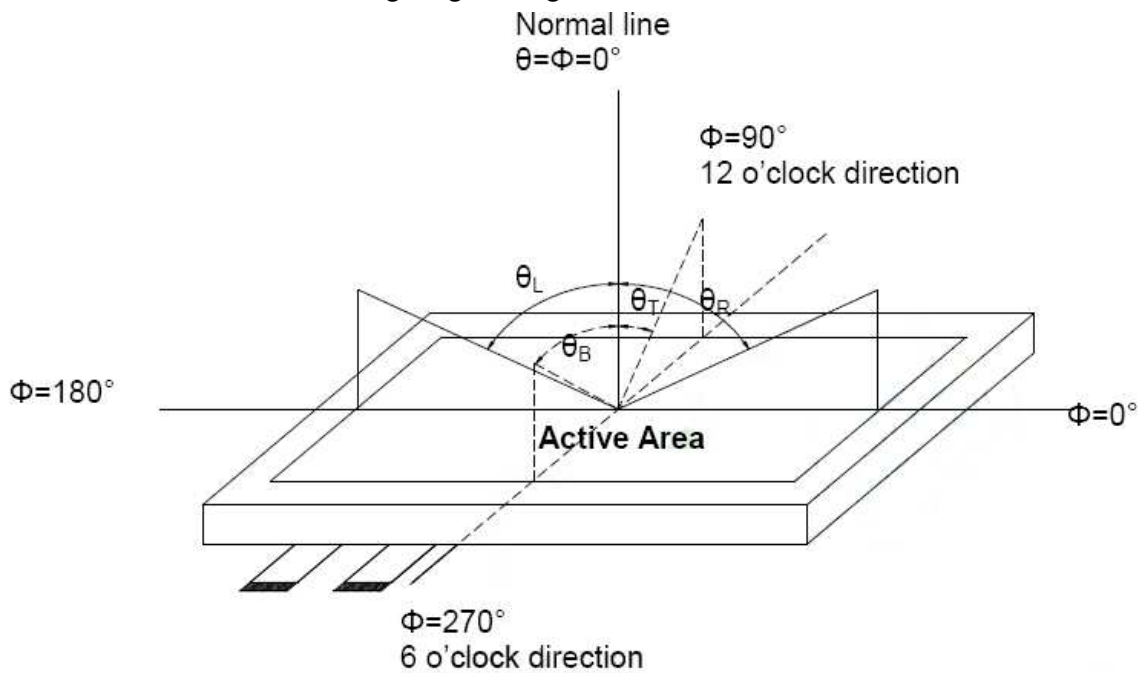
## 5. Optical Specifications

Item	Symbol	Condition	Values			Unit	Note
			Min.	Typ.	Max.		
Viewing angle (CR $\geq$ 10)	$\theta$ L	$\Phi = 180^\circ$ (9 o'clock)	60	70	--	degree	Note1
	$\theta$ R	$\Phi = 0^\circ$ (3 o'clock)	60	70	--		
	$\theta$ T	$\Phi = 90^\circ$ (12 o'clock)	40	50	--		
	$\theta$ B	$\Phi = 270^\circ$ (6 o'clock)	60	70	--		
Response time	TON	Normal $\theta = \Phi = 0^\circ$	--	10	20	msec	Note3
	TOFF		--	15	30	msec	
Contrast ratio	CR		400	500	--	--	Note4
Color chromaticity	Rx		0.578	0.628	0.678	--	Note5 Note6
	Ry		0.294	0.344	0.394		
	Gx		0.289	0.339	0.389		
	Gy		0.538	0.588	0.538		
	Bx		0.104	0.154	0.204		
	By		0.081	0.131	0.181		
	Wx		0.26	0.31	0.36		
Wy	0.28	0.33	0.38	--			
Luminance	L	400	500	--	cd/m <sup>2</sup>	Note6	
Luminance uniformity	YU	70	75	--	%	Note7	

Test Conditions :

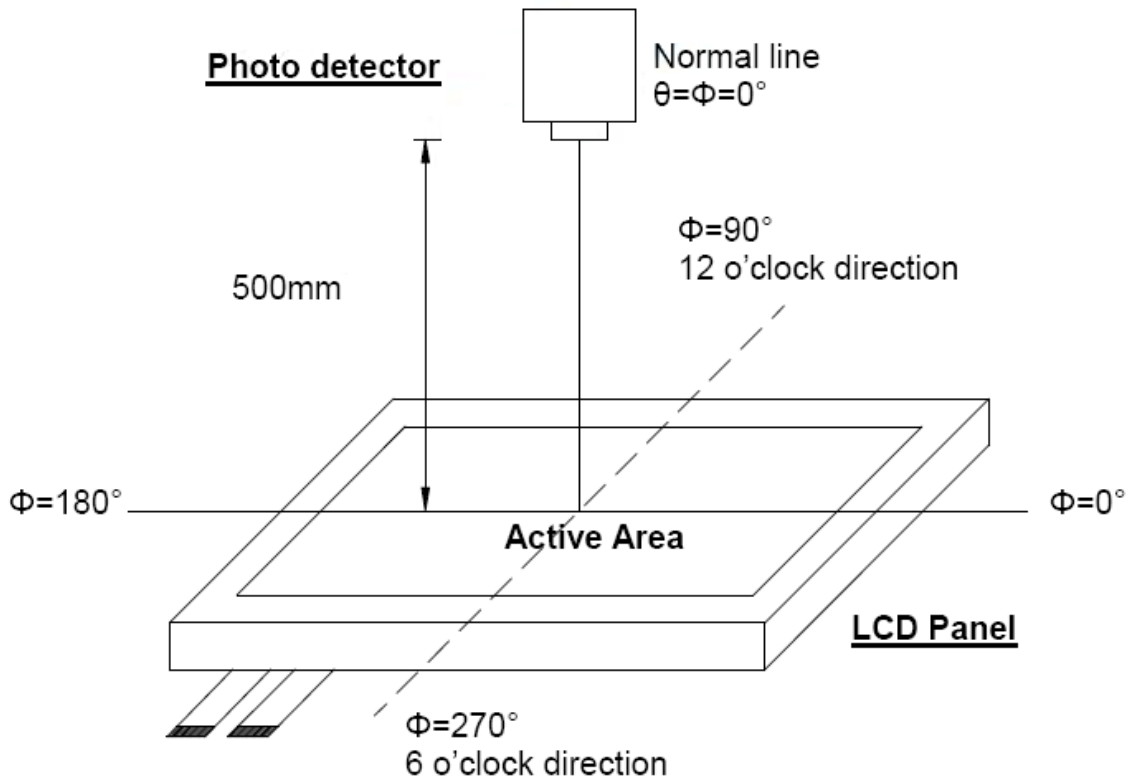
1.  $V_{LED} = 5V$ ,  $I_L = 160mA$  (Backlight current), the ambient temperature is  $25^\circ C$ .
2. The test systems refer to Note 2.

Note 1 : Definition of viewing angle range



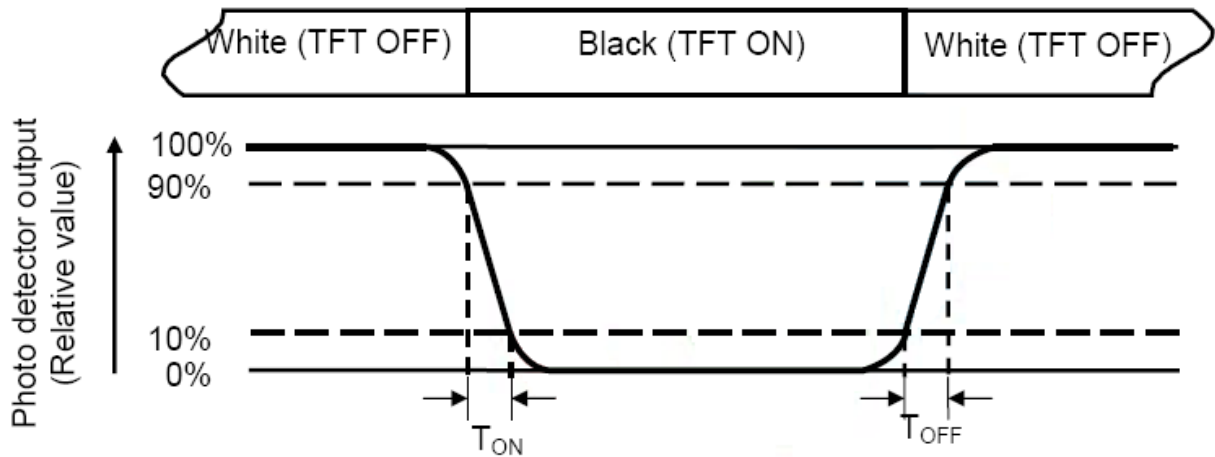
Note 2 : Definition of optical measurement system.

The optical characteristics should be measured in dark room. After 30 minutes operation, the optical properties are measured at the center point of the LCD screen. (Response time is measured by Photo detector TOPCON BM-7, other items are measured by BM-5A/Field of view :  $1^\circ$  / Height : 500mm.)



Note 3 : Definition of Response time

The response time is defined as the LCD optical switching time interval between “White” state and “Black” state. Rise time ( $T_{ON}$ ) is the time between photo detector output intensity changed from 90% to 10%. And fall time ( $T_{OFF}$ ) is the time between photo detector output intensity changed from 10% to 90%.



Note 4 : Definition of contrast ratio

$$\text{Contrast ratio (CR)} = \frac{\text{Luminance measured when LCD on the "White" state}}{\text{Luminance measured when LCD on the "Black" state}}$$

Note 5 : Definition of color chromaticity (CIE1931)

Color coordinated measured at center point of LCD.

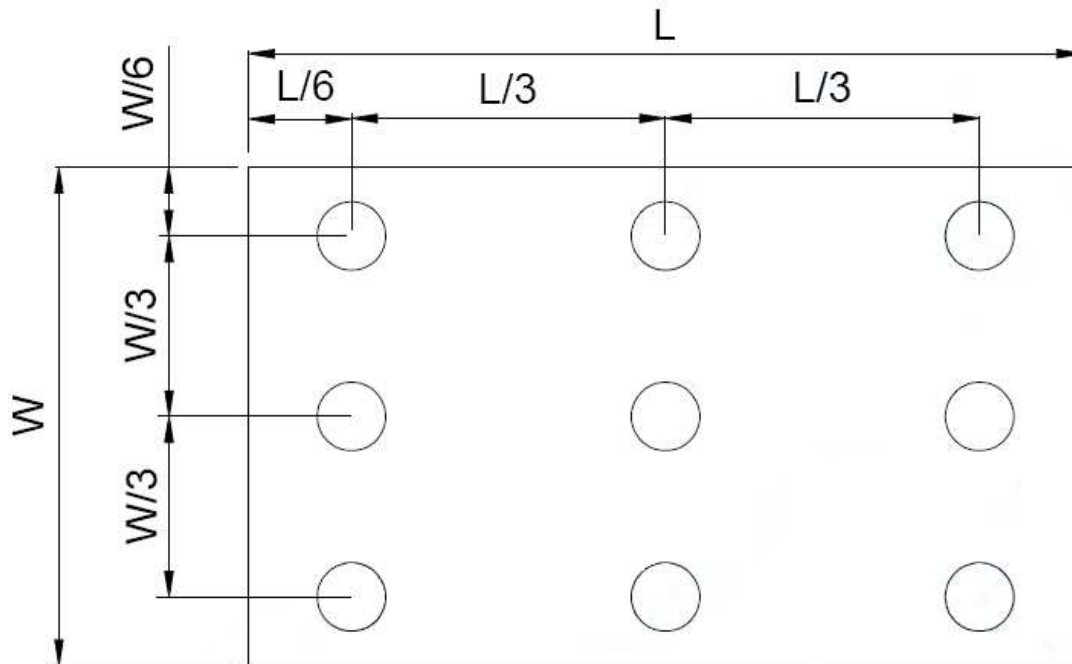
Note 6 : All input terminals LCD panel must be ground when measuring the center area of the panel.

Note 7 : Definition of Luminance Uniformity

Active area is divided into 9 measuring areas (Refer to bellow figure). Every measuring point is placed at the center of each measuring area.

$$\text{Luminance Uniformity (Yu)} = \frac{B_{\min}}{B_{\max}}$$

L ----- Active area length      W ----- Active area width



$B_{\max}$  : The measured maximum luminance of all measurement position.

$B_{\min}$  : The measured minimum luminance of all measurement position.

## 6. INTERFACE

### TFT LCD Panel Driving Section

Pin No.	Symbol	I/O	Description	Note
1	VLED	P	Voltage for LED circuit (5.0V)	
2	VLED	P	Voltage for LED circuit (5.0V)	
3	ADJ	I	Adjust the LED brightness	(1)
4	GLED	P	Ground for LED circuit	
5	GLED	P	Ground for LED circuit	
6	VCC	P	Power supply for digital circuit (3.3V)	
7	VCC	P	Power supply for digital circuit (3.3V)	
8	MODE	I	DE or SYNC mode control	(2)
9	DE	I	Data enable	
10	VSYNC	I	VSYNC signal input	
11	HSYNC	I	HSYNC signal input	
12	GND	P	Power ground	
13	B5	I	Blue data input (MSB)	
14	B4	I	Blue data input	
15	B3	I	Blue data input	
16	GND	P	Power ground	
17	B2	I	Blue data input	
18	B1	I	Blue data input	
19	B0	I	Blue data input (LSB)	
20	GND	P	Power ground	
21	G5	I	Green data input (MSB)	
22	G4	I	Green data input	
23	G3	I	Green data input	
24	GND	P	Power ground	
25	G2	I	Green data input	

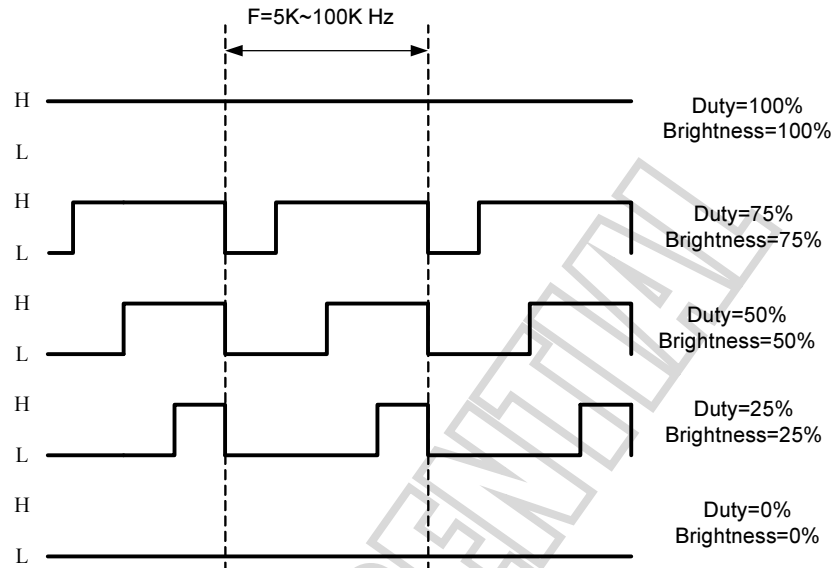
26	G1	I	Green data input	
27	G0	I	Green data input (LSB)	
28	GND	P	Power ground	
29	R5	I	Red data input (MSB)	
30	R4	I	Red data input	
31	R3	I	Red data input	
32	GND	P	Power ground	
33	R2	I	Red data input	
34	R1	I	Red data input	
35	R0	I	Red data input (LSB)	
36	GND	P	Power ground	
37	DCLK	I	Sample clock	
38	GND	P	Power ground	
39	L/R	I	Select left to right scanning direction	(3)
40	U/D	I	Select up or down scanning direction	(3)

I : input, O : output, P : power

NOTE :

(1) Pin3: ADJ is PWM signal input. It is for brightness control.

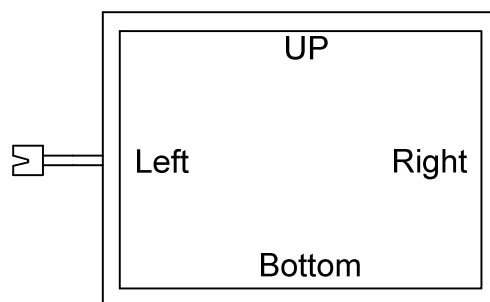
ITEM	SYMBOL	MIN	TYP	MAX	UNIT
ADJ signal frequency	$f_{PWM}$	5K	20K	100K	Hz
ADJ signal logic level High	$V_{IH}$	2.4V	--	$V_{LED}$ (5.0V)	V
ADJ signal logic level Low	$V_{IL}$	0	--	0.8	V



(2) DE Mode, Mode="H", HSYNC floating and VSYNC floating  
 HV Mode, Mode="L" and DE floating

(3) Selection of scanning mode

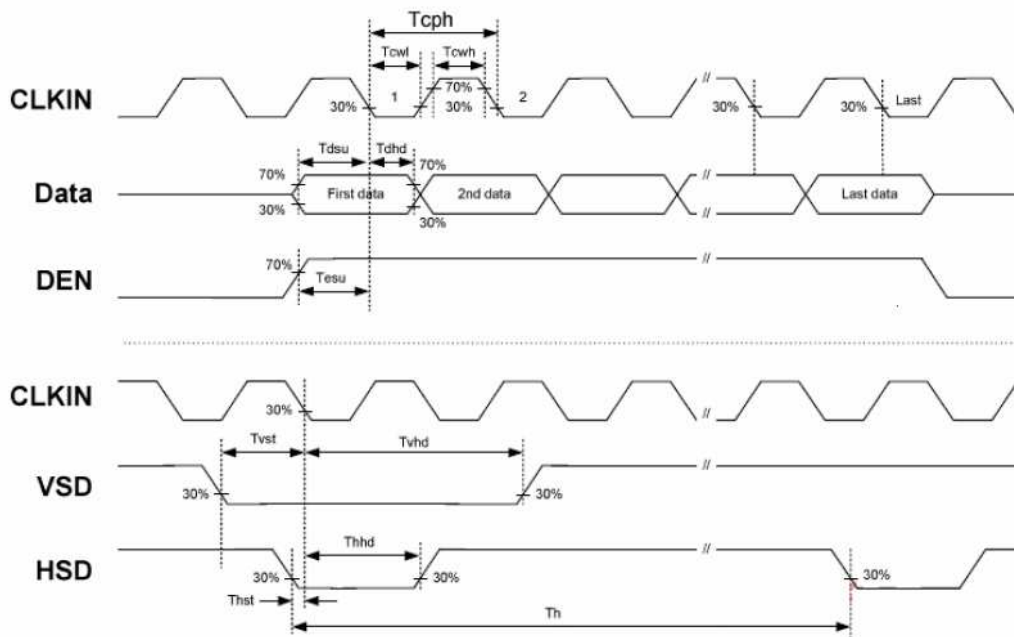
Setting of scan control input		Scanning direction
U/D	L/R	
GND	VCC	Up to Down, Left to Right
VCC	GND	Down to Up, Right to Left
GND	GND	Up to Down, Right to Left
VCC	VCC	Down to Up, Left to Right



## 7. INPUT SIGNAL :

### 7-1 AC Electrical Characteristics

Item	Symbol	Values			Unit	Remark
		Min.	Typ.	Max.		
HS setup time	$T_{hst}$	8	-	-	Ns	
HS hold time	$T_{hhd}$	8	-	-	Ns	
VS setup time	$T_{vst}$	8	-	-	Ns	
VS hold time	$T_{vhd}$	8	-	-	Ns	
Data setup time	$T_{dsu}$	8	-	-	Ns	
Data hole time	$T_{dhd}$	8	-	-	Ns	
DE setup time	$T_{esu}$	8	-	-	Ns	
DE hole time	$T_{ehd}$	8	-	-	Ns	
VDD Power On Slew rate	$T_{POR}$	-	-	20	ms	
RSTB pulse width	$T_{Rst}$	10	-	-	us	
CLKIN cycle time	$T_{coh}$	20	-	-	Ns	
CLKIN pulse duty	$T_{cwh}$	40	50	60	%	
Output stable time	$T_{sst}$	-	-	6	us	



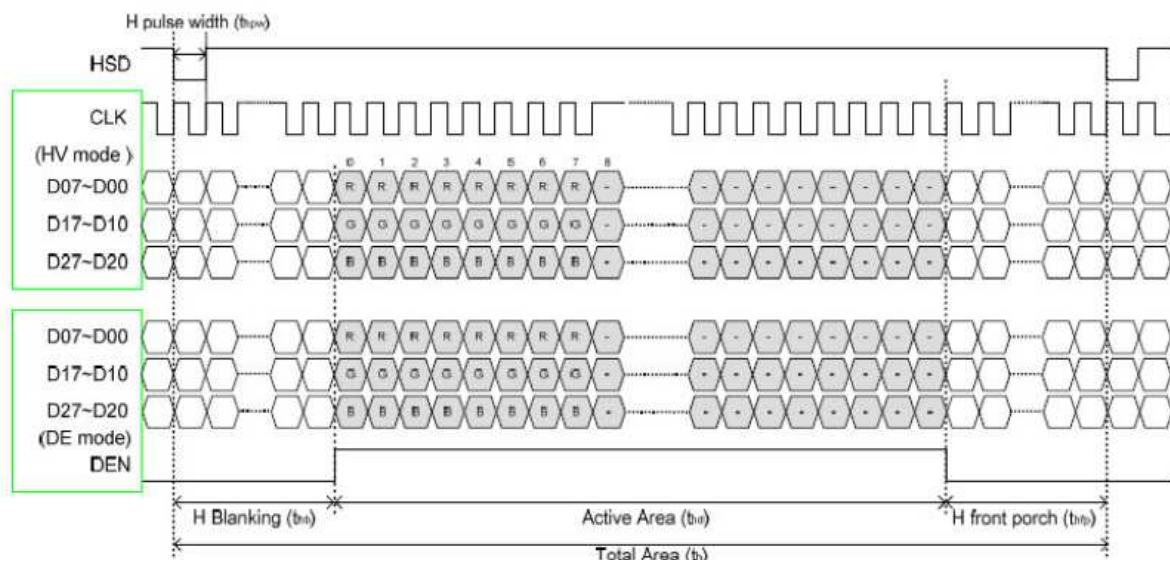


## 7-2 Timing

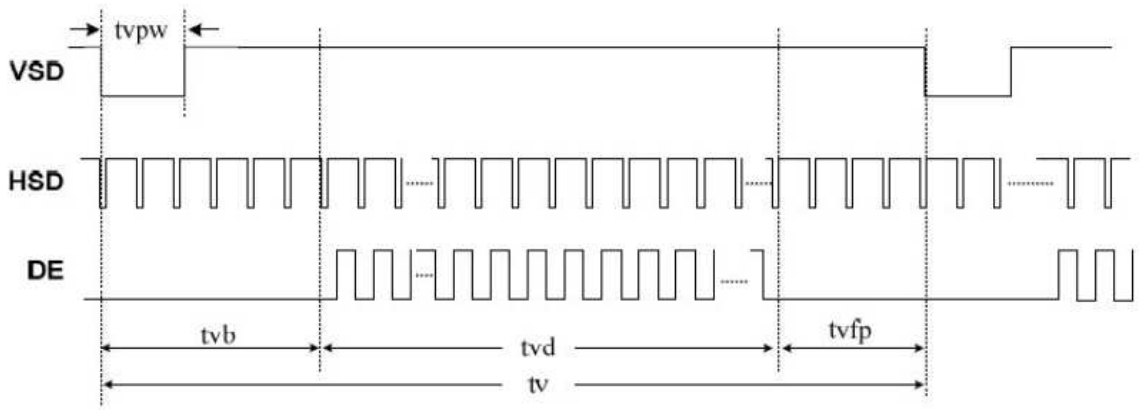
Item	Symbol	Values			Unit	Remark
		Min.	Typ.	Max.		
Horizontal Display Area	thd	-	800	-	DCLK	
DCLK Frequency	fclk	-	40	50	MHz	
One Horizontal Line	th	862	1056	1200	DCLK	
HS pulse width	thpw	1	-	40	DCLK	
HS Back Porch(Blanking)	thb	46	46	46	DCLK	
HS Front Porch	thfp	16	210	354	DCLK	

Item	Symbol	Values			Unit	Remark
		Min.	Typ.	Max.		
Vertical Display Area	tvd	-	600	-	TH	
VS period time	tv	624	635	700	TH	
VS pulse width	tvpw	1	-	20	TH	
VS Back Porch(Blanking)	tvb	23	23	23	TH	
VS Front Porch	tvfp	1	12	77	TH	

### Horizontal input timing



Vertical input timing



CONFIDENTIAL

## 8. RELIABILITY TEST CONDITIONS

(Note 3)

Item	Test Conditions	Note
High Temperature Storage	Ta = 80°C 240 hrs	Note 1,4
Low Temperature Storage	Ta = -30°C 240 hrs	Note 1,4
High Temperature Operation	Ts = 70°C 240 hrs	Note 2,4
Low Temperature Operation	Ta = -20°C 240 hrs	Note1,4
Operate at High Temperature and Humidity	+60°C, 90%RH 240 hrs	
Thermal Shock	-30°C /30 min ~ +80°C /30 min for a total 100 cycles, Start with cold temperature and end with high temperature	
Vibration Test	Frequency range : 10 ~ 55Hz Stroke : 1.5mm Sweep : 10Hz ~ 55Hz ~ 10Hz 2 hours for each direction of X. Y. Z. (6 hours for total)	
Mechanical Shock	100G 6ms, ±X, ±Y, ±Z 3 times for each direction	
Package Vibration Test	Random Vibration : 0.015G*G/Hz from 5-200HZ, -6dB/Octave from 200-500Hz 2 hours for each direction of X. Y. Z. (6 hours for total)	
Package Drop Test	Height : 60 cm 1 comer, 3 edges, 6 surfaces	
Electro Static Discharge	±2KV, Human Body Mode, 100pF/1500Ω	Non-operating

Note 1 : Ta is the ambient temperature of samples.

Note 2 : Ts is the temperature of panel's surface.

Note 3 : In the standard condition, there shall be no practical problem that may affect the display function. After the reliability test, the product only guarantees operation, but don't guarantee all of the cosmetic specification.

Note 4 : Before cosmetic and function test, the product must have enough recovery time, at least 2 hours at room temperature.

## **9. General Precautions**

### **9-1 Safety**

Liquid crystal is poisonous. Do not put it your month. If liquid crystal touches your skin or clothes, wash it off immediately by using soap and water.

### **9-2 Handling**

1. The LCD panel is plate glass. Do not subject the panel to mechanical shock or to excessive force on its surface.
2. The polarizer attached to the display is easily damaged. Please handle it carefully to avoid scratch or other damages.
3. To avoid contamination on the display surface, do not touch the module surface with bare hands.
4. Keep a space so that the LCD panels do not touch other components.
5. Put cover board such as acrylic board on the surface of LCD panel to protect panel from damages.
6. Transparent electrodes may be disconnected if you use the LCD panel under environmental conditions where the condensation of dew occurs.
7. Do not leave module in direct sunlight to avoid malfunction of the ICs.

### **9-3 Static Electricity**

1. Be sure to ground module before turning on power or operation module.
2. Do not apply voltage which exceeds the absolute maximum rating value.

### **9-4 Storage**

1. Store the module in a dark room where must keep at  $+25\pm 10^{\circ}\text{C}$  and 65%RH or less.
2. Do not store the module in surroundings containing organic solvent or corrosive gas.
3. Store the module in an anti-electrostatic container or bag.

### **9-5 Cleaning**

1. Do not wipe the polarizer with dry cloth. It might cause scratch.
2. Only use a soft sloth with IPA to wipe the polarizer, other chemicals might permanent damage to the polarizer.

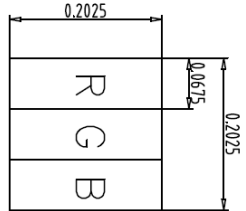
### **9-5 Others**

1. AMIPRE will provide one year warrantee for all products and three months warrantee for all repairing products.

## 10. OUTLINE DIMENSION

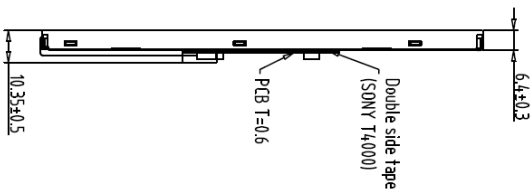
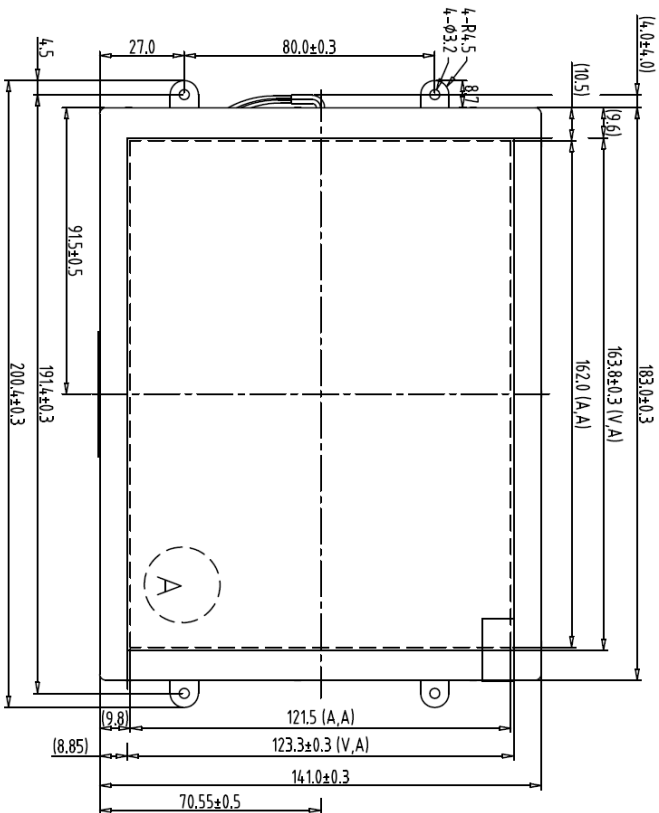
CONFIDENTIAL

REV	REVISION RECORD	DATE	MAKE
0	NEW RELEASE	01-13-11	EMILY
1	TFT-800600-85-0 Rename to 800600P1-B0	06-06-11	EMILY



CN3  
A Block

1	VLED	21	G5
2	VLED	22	G4
3	ADJ	23	G3
4	GLED	24	GND
5	GLED	25	G2
6	VCC	26	G1
7	VCC	27	G0
8	MODE	28	GND
9	DE	29	R5
10	VS	30	R4
11	HS	31	R3
12	GND	32	GND
13	B5	33	R2
14	B4	34	R1
15	B3	35	R0
16	GND	36	GND
17	B2	37	DCLK
18	B1	38	GND
19	B0	39	L/R
20	GND	40	U/D



- Note:
1. Unless indicated, Tolerance Grade "±0.3".
  2. UV Glue For OLB Protection.
  3. CN1:BHSR-02VS-1
  4. CN2:P0.5 50Pin Connector:Hirose "FH12A-50S-0.5H" or Equivalent
  5. CN3:P0.5 40Pin Connector:STARCONN 089H40 or Equivalent



適用機種:

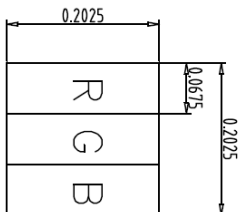
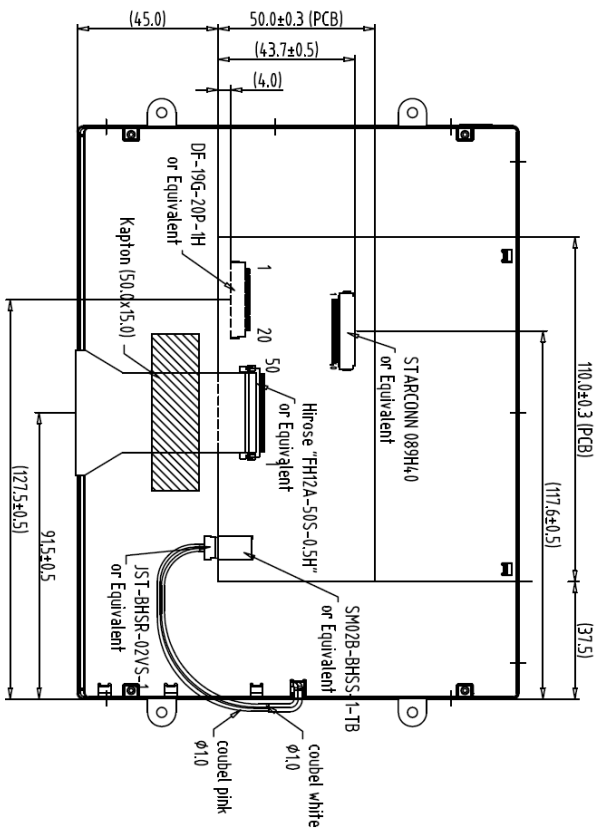
800600P1-B0  
800600P1-B1

**AMPIRE** 晶采光電科技

1	TFT-800600-85-0	7	7	TOLERANCE GRADE(F)	A	B	DIM.	MIN	DVN.	EMILY	DATE	TTITLE
2		8	8								01-13-11	800600P1-B0
3		9	9				IE NO.		CHK.		DATE	(8.0"±TTL+LED Driver)
4		10	10				PARTS NO. LCM		APPD.		DATE	DWG. NO.
5		11	11				800600P1-B0				DATE	*110113MA
6		12	12								DATE	SHEET 1 OF 1

REV	REVISION RECORD	DATE	NAME
0	NEW RELEASE	05-11	EMILY
1	TFT-800600-85-0 Rename to 800600P1-B0	05-05-11	EMILY

1	VLED	21	G5
2	VLED	22	G4
3	ADJ	23	G3
4	GLED	24	GND
5	GLED	25	G2
6	VCC	26	G1
7	VCC	27	G0
8	MODE	28	GND
9	DE	29	R5
10	VS	30	R4
11	HS	31	R3
12	GND	32	GND
13	B5	33	R2
14	B4	34	R1
15	B3	35	R0
16	GND	36	GND
17	B2	37	DCLK
18	B1	38	GND
19	B0	39	L/R
20	GND	40	U/D



A Block

Note:

1. Unless indicated, Tolerance Grade "±0.3".
2. UV Glue For OLB Protection.
3. CN1:BHSR-02VS-1
4. CN2:P0.5 50Pin Connector:Hirose "FH12A-50S-0.5H" or Equivalent
5. CN3:P0.5 40Pin Connector:STARCONN 089H40 or Equivalent

Back View

適用機種:

- 800600P1-B0
- 800600P1-B1

1	TFT-800600-85-0	7	TOLERANCE GRADE(F)	A	B	DIM.	MM	DRW.	EMILY	DATE	TITLE
2		8				IE NO.		CHEK.		05-05-11	800600P1-B0
3		9				PARTS NO.LCM-1		APPD.		DATE	(8.0"±TTL+LED Driver)
4		10				800600P1-B0				DATE	*110114MA
5		11								DATE	SHEET 1 OF 1
6		12								DATE	

