



晶采光電科技股份有限公司  
AMPIRE CO., LTD.

## SPECIFICATIONS FOR LCD MODULE

<b>CUSTOMER</b>	
<b>CUSTOMER PART NO.</b>	
<b>AMPIRE PART NO.</b>	<b>AM-800480L6TMQW-52H</b>
<b>APPROVED BY</b>	
<b>DATE</b>	

Approved For Specifications

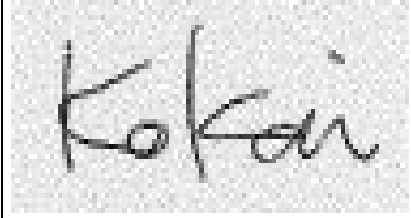
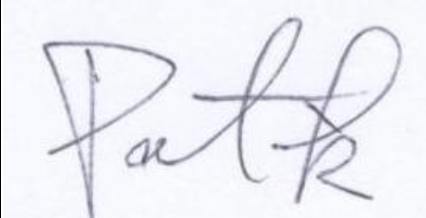

Approved For Specifications & Sample

**AMPIRE CO., LTD.**

**Building A., 4F., No.116, Sec. 1, Sintai 5th Rd., Xizhi Dist,  
New Taipei City 221, Taiwan (R.O.C.)**

**新北市汐止區新台五路一段 116 號 4 樓(東方科學園區 A 棟)**

**TEL:886-2-26967269 , FAX:886-2-26967196 or 26967270**

<b>APPROVED BY</b>	<b>CHECKED BY</b>	<b>ORGANIZED BY</b>
		

## RECORD OF REVISION

Revision Date	Page	Contents	Editor
2014/1/9	---	New Release	Alan

## 1. FEATURES

- (1) Construction : a-Si TFT-LCD with driving system, White LED Backlight
- (2) LCD type : Transmissive , Normally White
- (3) Number of the Colors : 16.7M colors (R,G,B 8bit digital each)
- (4) RGB Interface 45 pin.
- (5) LCD Power Supply Voltage : 3.3V single power input, built-in power supply circuit.
- (6) ROHS compliant.

## 2. PHYSICAL SPECIFICATIONS

Item	Specifications	Unit
Display size (diagonal)	5.0	Inch
Resolution	800 (W) x RGB x 480 (H)	Dot
Display area	110.6 (W) x67.4 (H)	Mm
Pixel pitch	0.135 (W) x 0.135 (H)	Mm
Overall dimension	119.0(W) x 135.0(H) x4.4(D)	Mm
Color configuration	R.G.B Vertical stripe	
Surface treatment	Antiglare(T.B.D)	
View Direction (Gray Inversion)	6 o'clock	

## 3. ABSOLUTE MAXIMUM RATINGS

Item	Symbol	Min.	Max.	Unit	Note
Power Supply for logic	VCC	-0.5	<b>5.0</b>	V	
Input Signal Voltage	VI	-0.5	VCC + 0.5	V	(1)
Operating Temperature	Top	-30	80	°C	(2)
Storage Temperature	Tstg	-30	80	°C	

Note 1: Hsync, Vsync, DEN, DCLK, R0~R7, G0~G7, B0~B7

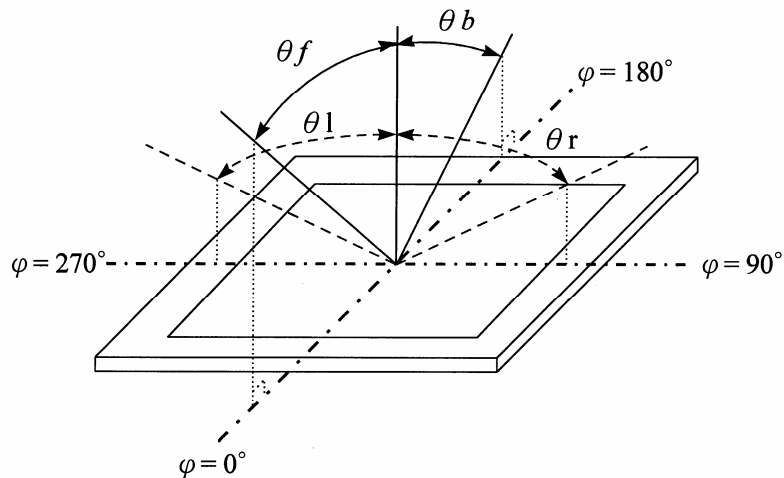
Note 2: Background color changes slightly depending on ambient temperature.  
This phenomenon is reversible.

## 4. OPTICAL CHARACTERISTICS

Item		Symbol	Condition	Min.	Typ.	Max.	Unit	Note
Viewing Angle	Front	$\theta f$	$CR \geq 10$	--	70	--	deg.	(1)(2)(3)
	Back	$\theta b$		--	50	--		
	Left	$\theta l$		--	70	--		
	Right	$\theta r$		--	70	--		
Contrast ratio		CR	$\Theta = \Phi = 0^\circ$	150	250	--	--	(1)(3)
Response Time		$T_r$	$\Theta = \Phi = 0^\circ$	--	15	30	ms	(1)(4)
		$T_f$		--	35	50	ms	(1)(4)
Color chromaticity	Red	Rx	$\Theta = \Phi = 0^\circ$	0.565	0.615	0.665	--	(1)
		Ry		0.294	0.344	0.394		
	Green	Gx		0.257	0.307	0.357		
		Gy		0.512	0.562	0.612		
	Blue	Bx		0.083	0.133	0.183		
		By		0.100	0.150	0.200		
	White	Wx		0.259	0.309	0.359		
		Wy		0.300	0.350	0.400		
Luminance (ILED=120mA)		L	$\Theta = \Phi = 0^\circ$	350	500	--	cd/m <sup>2</sup>	(1)(5)
Luminance Uniformity		$\Delta L$	$\Theta = \Phi = 0^\circ$	70	-	-	%	(1)(5)(6)

Note 1: Ta=25°C. To be measured on the center area of panel after 10 minutes operation.

Note 2: Definition of Viewing Angle



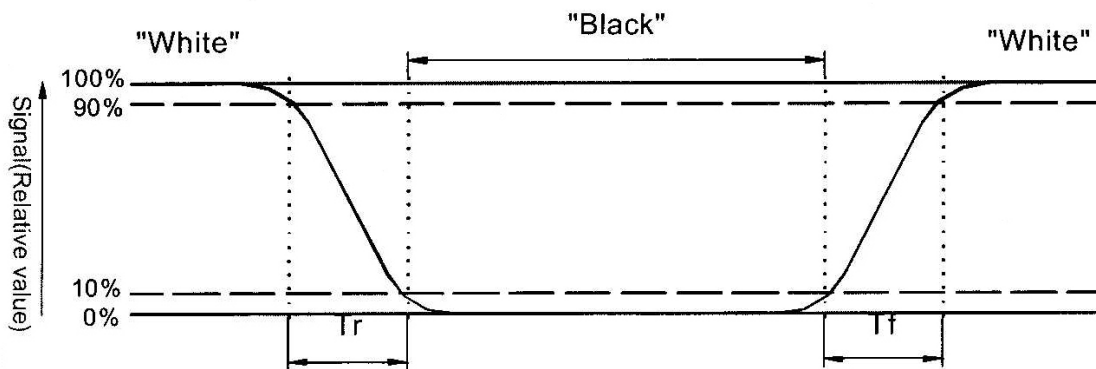
Note 3: Definition of contrast ratio:

Contrast ratio is calculated with the following formula.

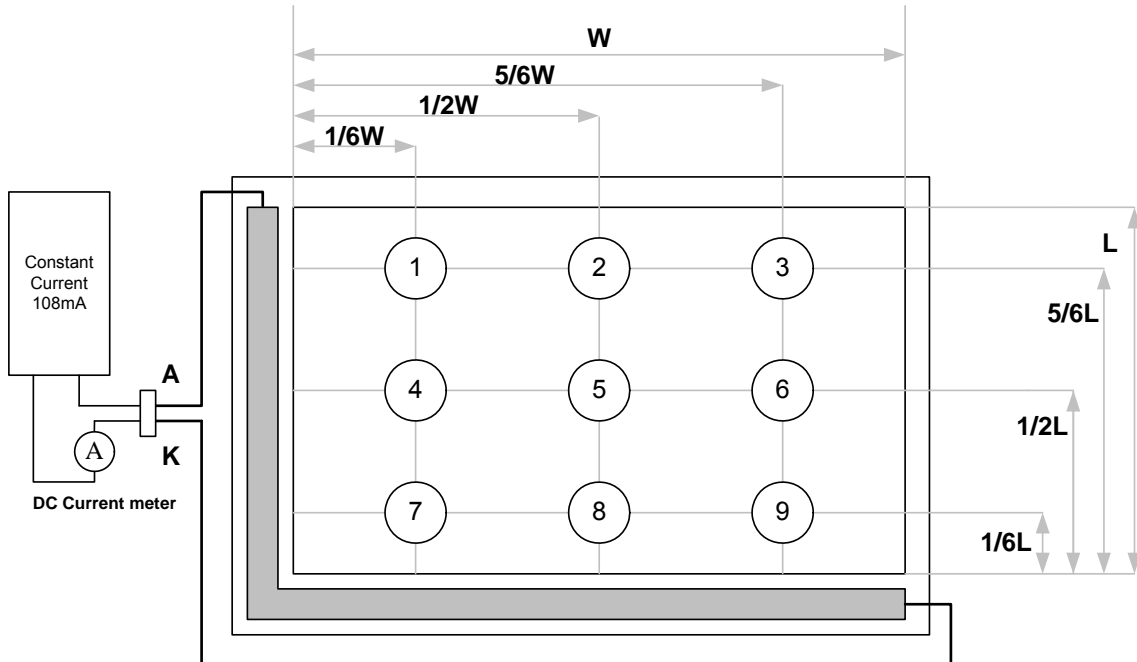
$$\text{Contrast ratio(CR)} = \frac{\text{Photo detector output when LCD is at "White" state}}{\text{Photo detector Output when LCD is at "Black" state}}$$

Note 4: Definition of response time:

The output signals of photo detector are measured when the input signals are changed from "black" to "white"(falling time) and from "white" to "black" (rising time) respectively. The response time is defined as the time interval between the 10% and 90% of amplitudes. Refer to figure as below.



Note 5 : Luminance is measured at point 5 of the display.



Note 6 : Definition of Luminance Uniformity

$$\Delta L = [ L(\text{min.}) \text{ of 9 points} / L(\text{max.}) \text{ of 9 points}] \times 100\%$$

## 5. ELECTRICAL CHARACTERISTICS

### 5.1 LCD driving

Item	Symbol	Min.	Typ.	Max.	Unit	Note
Power supply voltage	VCC	3.0	3.3	3.6	V	
Input voltage for logic	H Level	$0.7 V_{CC}$	--	VCC	V	(1)
	L Level	0	--	$0.3 V_{CC}$	V	
Power Supply current	IDD	--	170	220	mA	(2)
LED life time	--	--	50,000	--	Hrs	(3)

Note 1: Hsync, Vsync, DEN, DCLK, R0~R7, G0~G7, B0~B7

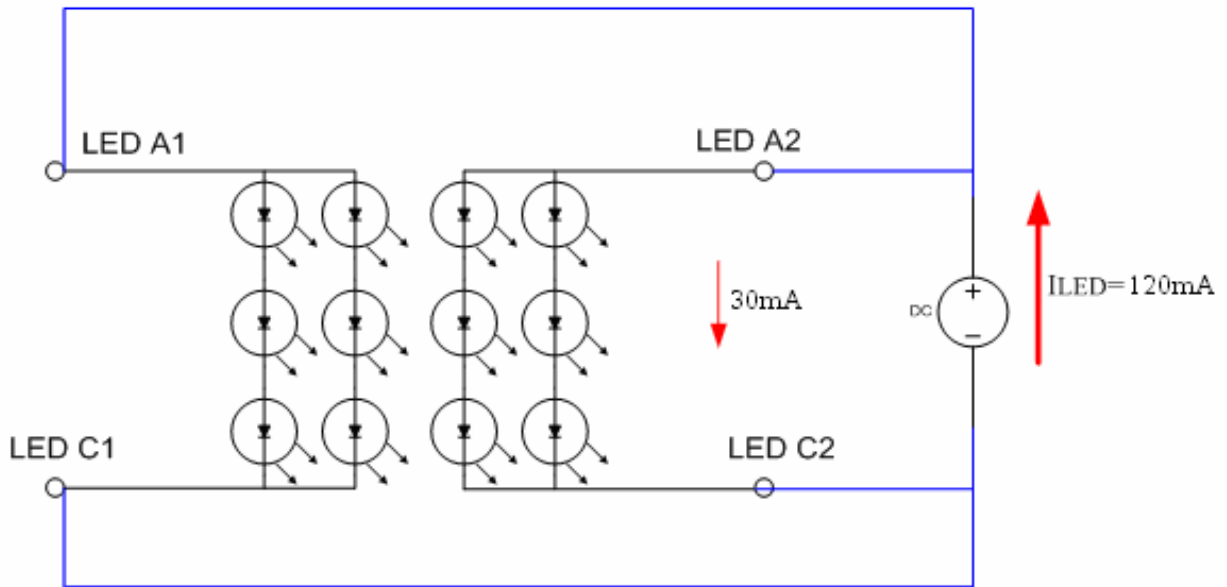
Note 2: fV =60Hz , Ta=25°C , Display pattern : All Black

\*:Will be reference only

Note 3: Brightness to be decreased to 50% of the initial value (Ta=25°C).

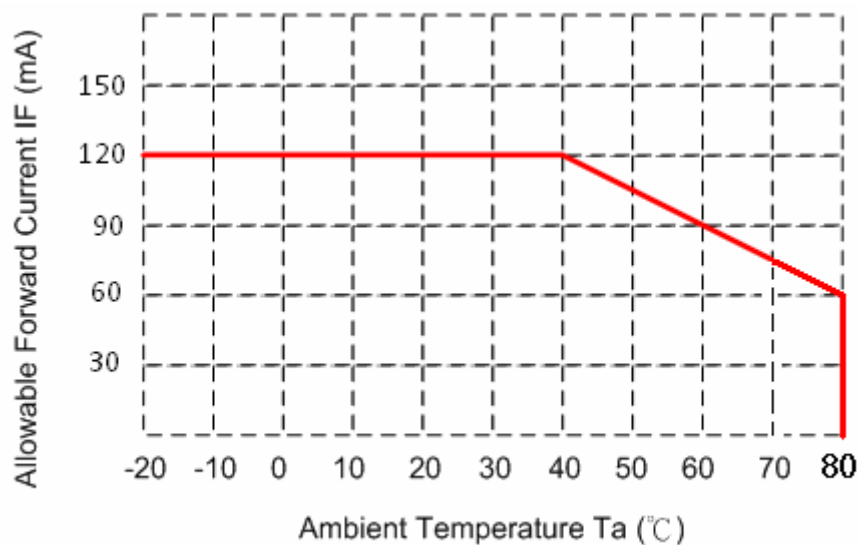
## 5.2 Electrical characteristic of LED Back-light

Parameter	Symbol	Min.	Typ.	Max.	Unit	Condition
LED voltage	$V_{AK}$	--	9.3	--	V	$I_{LED} = 120mA, T_a = 25^\circ C$
LED forward current	$I_{LED}$	--	120	--	mA	$T_a = 25^\circ C$

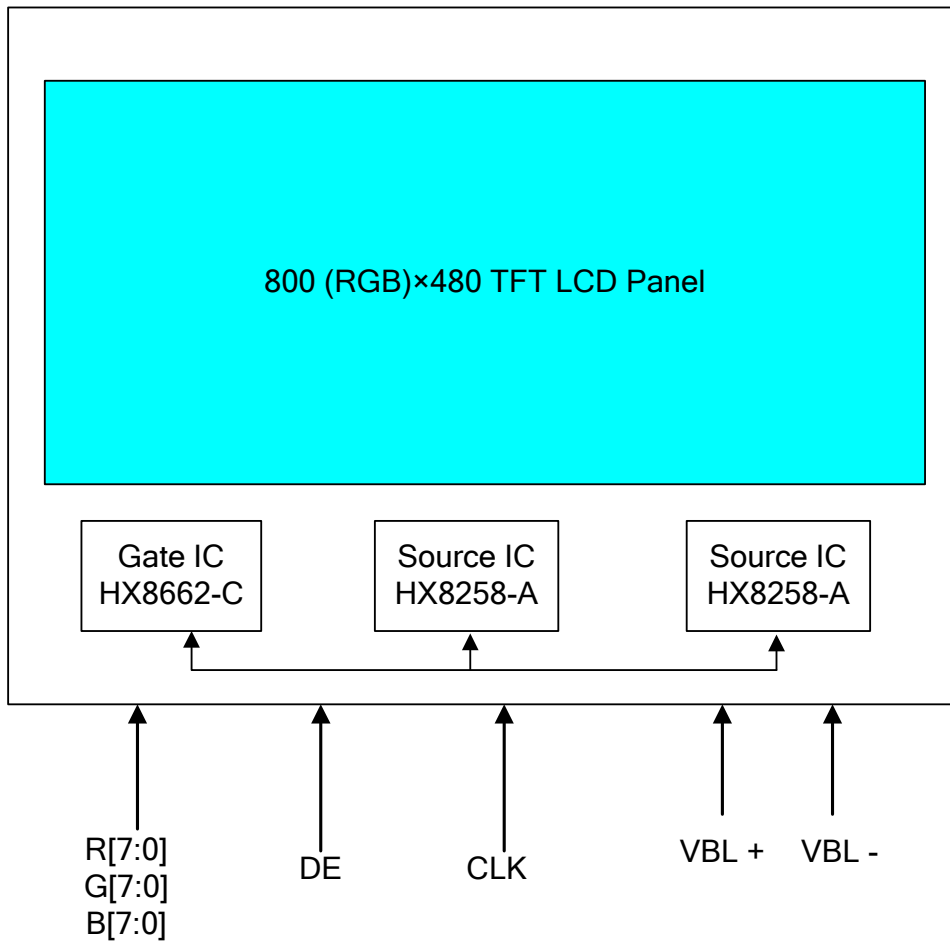


- The constant current source is needed for white LED back-light driving.

When LCM is operated over  $60^\circ C$  ambient temperature, the  $I_{LED}$  of the LED back-light should be adjusted to **90mA max**



## 6. BLOCK DIAGRAM





## INTERFACE PIN ASSIGNMENT

Pin No	Symbol	Function
1	GND	Power Ground
2	GND	Power Ground
3	VCC	3.3V Power Supply for LCD
4	VCC	3.3V Power Supply for LCD
5	R0	Red Data 0 (LSB)
6	R1	Red Data 1
7	R2	Red Data 2
8	R3	Red Data 3
9	R4	Red Data 4
10	R5	Red Data 5
11	R6	Red Data 6
12	R7	Red Data 7 (MSB)
13	G0	Green Data 0 (LSB)
14	G1	Green Data 1
15	G2	Green Data 2
16	G3	Green Data 3
17	G4	Green Data 4
18	G5	Green Data 5
19	G6	Green Data 6
20	G7	Green Data 7 (MSB)
21	B0	Blue Data 0 (LSB)
22	B1	Blue Data 1
23	B2	Blue Data 2
24	B3	Blue Data 3
25	B4	Blue Data 4
26	B5	Blue Data 5
27	B6	Blue Data 6
28	B7	Blue Data 7(MSB)
29	GND	Power Ground
30	DCLK	Clock Signals
31	DISP	Display on/off (High: on, Low :off)
32	HSYNC	Horizontal SYNC signal.
33	VSYNC	Vertical SYNC signal
34	DENA	Data Enable signal (to settle the viewing area)
35	NC	No Connect
36	NC	No Connect
37	NC	No Connect
38	NC	No Connect
39	SC	Scan direction control (Low= Reverse, High= Normal)
40	GND	Power Ground
41	GND	Power Ground

42	LED C1	LED cathode 1
43	LED A1	LED anode 1
44	LED C2	LED cathode 2
45	LED A2	LED anode 2

Remark:

1. GND Pin must ground contact, can not be floating.
2. SC are controlled function

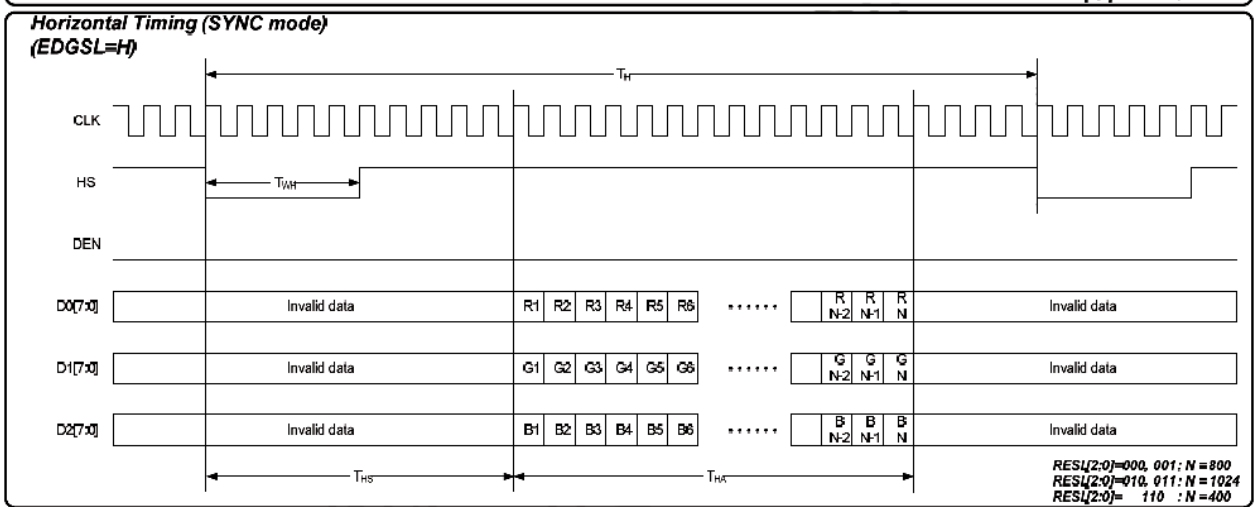
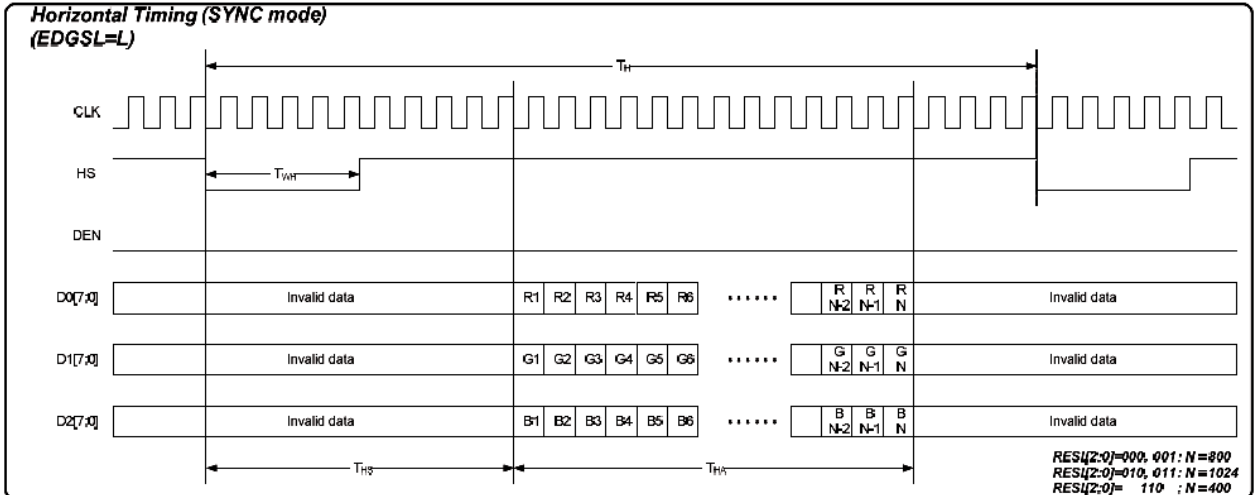
(L/R)	(U/D)	Function
1	0	Normally display
0	1	Left and Right opposite , Up and Down opposite

## 7. INTERFACE TIMING

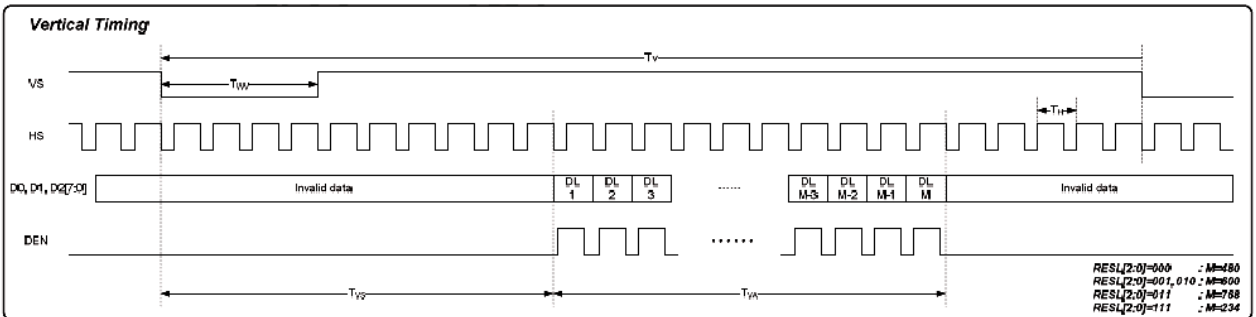
Signal	Parameter	Symbol	Min.	Typ.	Max.	Unit.
DCLK	Frequency	<b>F<sub>CPH</sub></b>	27.32	30.06	33.41	MHz
	DCLK period	<b>T<sub>CPH</sub></b>	29.93	33.26	36.59	ns
	Pulse duty	<b>T<sub>CWH</sub></b>	40	50	60	%
RGB DATA	Data setup time	<b>T<sub>DSU</sub></b>	6	-	-	ns
	Data hold time	<b>T<sub>DHD</sub></b>	6	-	-	ns
HSYNC	HSYNC period	<b>T<sub>H</sub></b>	950	1056	1600	<b>T<sub>CPH</sub></b>
	HSYNC pulse width	<b>T<sub>WH</sub></b>	1	128	T <sub>HS</sub> -2	<b>T<sub>CPH</sub></b>
	HSYNC Active time	<b>T<sub>HA</sub></b>	-	800	-	<b>T<sub>CPH</sub></b>
VSYNC	VSYNC period	<b>T<sub>V</sub></b>	490	525	625	<b>T<sub>H</sub></b>
	VSYNC pulse width	<b>T<sub>WV</sub></b>	1	2	<b>T<sub>VS</sub></b>	<b>T<sub>H</sub></b>
	VSYNC Active time	<b>T<sub>VA</sub></b>		480		<b>T<sub>H</sub></b>

Remark : If DEN is fixed to low, the SYNC mode is used. Otherwise DE mode is used.  
 When SYNC mode is used, 1st data start from 68th CLK after HSYNC falling

● Horizontal display timing



● Vertical display timing



## 8. DISPLAYED COLOR AND INPUT DATA

### DATA SIGNAL

COLOR	INPUT DATA																							
	R DATA								G DATA								B DATA							
	R7	R6	R5	R4	R3	R2	R1	R0	G7	G6	G5	G4	G3	G2	G1	G0	B7	B6	B5	B4	B3	B2	B1	B0
	MSB							LSB	MSB							LSB	MSB							LSB
BASIC COLOR	BLACK	0	0	0	0	0	0	0	0	0	0	0	0	0	0	0	0	0	0	0	0	0	0	0
	RED(255)	1	1	1	1	1	1	1	0	0	0	0	0	0	0	0	0	0	0	0	0	0	0	0
	GREEN(255)	0	0	0	0	0	0	0	1	1	1	1	1	1	1	1	0	0	0	0	0	0	0	0
	BLUE(255)	0	0	0	0	0	0	0	0	0	0	0	0	0	0	0	1	1	1	1	1	1	1	1
	CYAN	0	0	0	0	0	0	0	1	1	1	1	1	1	1	1	1	1	1	1	1	1	1	1
	MAGENTA	1	1	1	1	1	1	1	0	0	0	0	0	0	0	0	1	1	1	1	1	1	1	1
	YELLOW	1	1	1	1	1	1	1	1	1	1	1	1	1	1	1	0	0	0	0	0	0	0	0
	WHITE	1	1	1	1	1	1	1	1	1	1	1	1	1	1	1	1	1	1	1	1	1	1	1
RED	RED(1)	0	0	0	0	0	0	1	0	0	0	0	0	0	0	0	0	0	0	0	0	0	0	0
	RED(2)	0	0	0	0	0	0	1	0	0	0	0	0	0	0	0	0	0	0	0	0	0	0	0
	RED(255)	1	1	1	1	1	1	1	0	0	0	0	0	0	0	0	0	0	0	0	0	0	0	0
GREEN	GREEN(1)	0	0	0	0	0	0	0	0	0	0	0	0	0	0	1	0	0	0	0	0	0	0	0
	GREEN(2)	0	0	0	0	0	0	0	0	0	0	0	0	0	1	0	0	0	0	0	0	0	0	0
	GREEN(255)	0	0	0	0	0	0	0	1	1	1	1	1	1	1	1	0	0	0	0	0	0	0	0
BLUE	BLUE(1)	0	0	0	0	0	0	0	0	0	0	0	0	0	0	0	0	0	0	0	0	0	0	1
	BLUE(2)	0	0	0	0	0	0	0	0	0	0	0	0	0	0	0	0	0	0	0	0	0	1	0
	BLUE(255)	0	0	0	0	0	0	0	0	0	0	0	0	0	0	0	1	1	1	1	1	1	1	1

## 9.RELIABILITY TEST ITEMS

Test Item	Test Conditions	Note
High Temperature Operation	80±3°C , t=240 hrs	
Low Temperature Operation	-30±3°C , t=240 hrs	
High Temperature Storage	80±3°C , t=240 hrs	1,2
Low Temperature Storage	-30±3°C , t=240 hrs	1,2
Storage at High Temperature and Humidity	60°C, 90% RH , 240 hrs	1,2
Thermal Shock Test	-30°C (30min) ~ 80°C (30min) 100 cycles	1,2
Vibration Test (Packing)	Sweep frequency : 10 ~ 55 ~ 10 Hz/1min Amplitude : 0.75mm Test direction : X.Y.Z/3 axis Duration : 30min/each axis	2

Note 1 : Condensation of water is not permitted on the module.

Note 2 : The module should be inspected after 1 hour storage in normal conditions (15-35°C , 45-65%RH).

## **10.USE PRECAUTIONS**

### **10.1 Handling precautions**

- 1) The polarizing plate may break easily so be careful when handling it. Do not touch, press or rub it with a hard-material tool like tweezers.
- 2) Do not touch the polarizing plate surface with bare hands so as not to make it dirty. If the surface or other related part of the polarizing plate is dirty, soak a soft cotton cloth or chamois leather in benzene and wipe off with it. Do not use chemical liquids such as acetone, toluene and isopropyl alcohol. Failure to do so may bring chemical reaction phenomena and deteriorations.
- 3) Remove any spit or water immediately. If it is left for hours, the suffered part may deform or decolorize.
- 4) If the LCD element breaks and any LC stuff leaks, do not suck or lick it. Also if LC stuff is stuck on your skin or clothing, wash thoroughly with soap and water immediately.

### **10.2 Installing precautions**

- 1) The PCB has many ICs that may be damaged easily by static electricity. To prevent breaking by static electricity from the human body and clothing, earth the human body properly using the high resistance and discharge static electricity during the operation. In this case, however, the resistance value should be approx.  $1M\Omega$  and the resistance should be placed near the human body rather than the ground surface. When the indoor space is dry, static electricity may occur easily so be careful. We recommend the indoor space should be kept with humidity of 60% or more. When a soldering iron or other similar tool is used for assembly, be sure to earth it.
- 2) When installing the module and ICs, do not bend or twist them. Failure to do so may crack LC element and cause circuit failure.
- 3) To protect LC element, especially polarizing plate, use a transparent protective plate (e.g., acrylic plate, glass etc) for the product case.
- 4) Do not use an adhesive like a both-side adhesive tape to make LCD surface (polarizing plate) and product case stick together. Failure to do so may cause the polarizing plate to peel off.

### **10.3 Storage precautions**

- 1) Avoid a high temperature and humidity area. Keep the temperature between 0°C and 35°C and also the humidity under 60%.
- 2) Choose the dark spaces where the product is not exposed to direct sunlight or fluorescent light.
- 3) Store the products as they are put in the boxes provided from us or in the same conditions as we recommend.

### **10.4 Operating precautions**

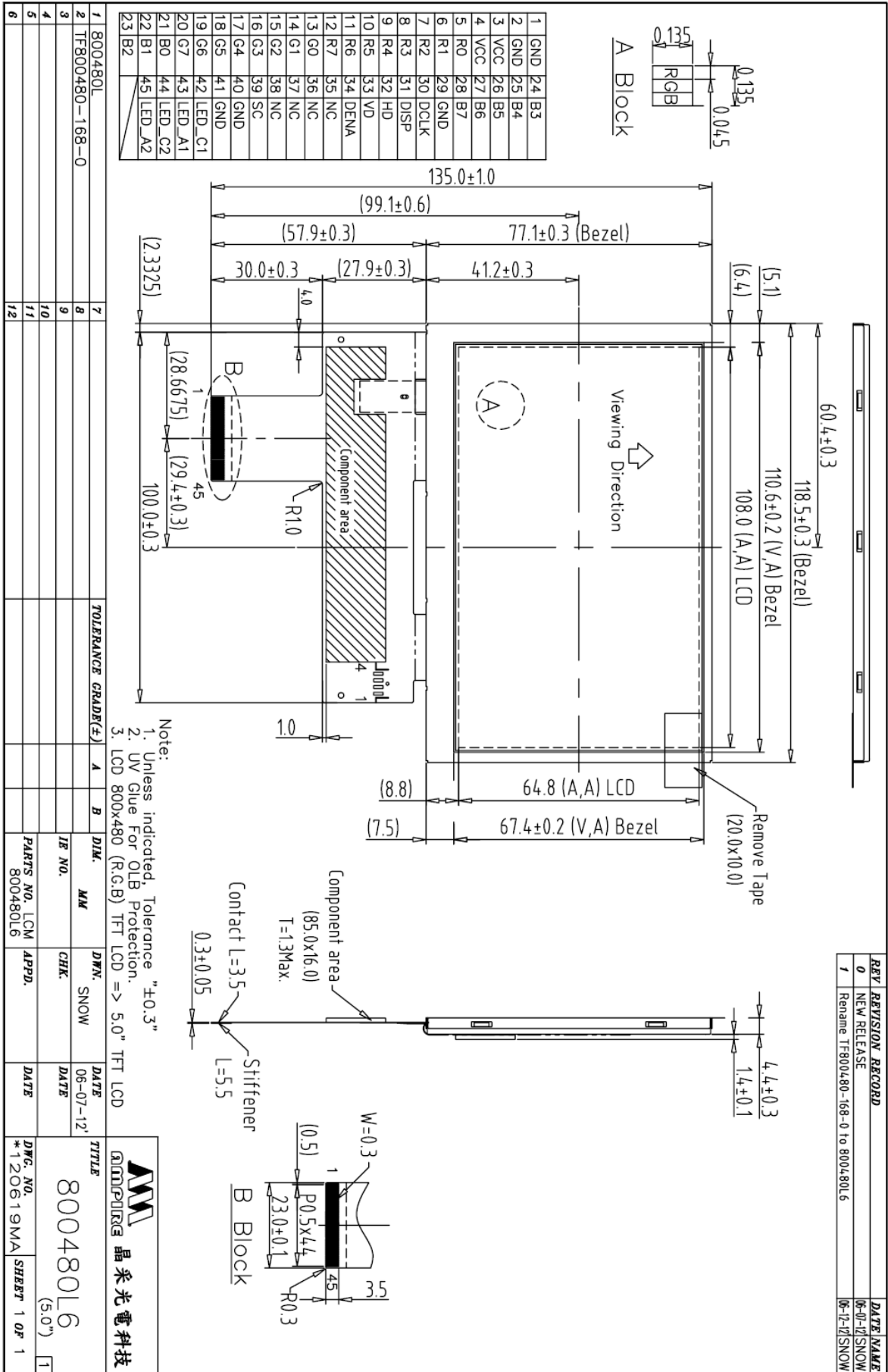
- 1) Do not boost the applied drive voltage abnormally. Failure to do so may break ICs. When applying power voltage, check the electrical features beforehand and be careful. Always turn off the power to the LC module controller before removing or inserting the LC module input connector. If the input connector is removed or inserted while the power is turned on, the LC module internal circuit may break.
- 2) The display response may be late if the operating temperature is under the normal standard, and the display may be out of order if it is above the normal standard. But this is not a failure; this will be restored if it is within the normal standard.
- 3) The LCD contrast varies depending on the visual angle, ambient temperature, power voltage etc. Obtain the optimum contrast by adjusting the LC drive voltage.
- 4) When carrying out the test, do not take the module out of the low-temperature space suddenly. Failure to do so will cause the module condensing, leading to malfunctions.
- 5) Make certain that each signal noise level is within the standard (L level: 0.2VCC or less and H level: 0.8VCC or more) even if the module has functioned properly. If it is beyond the standard, the module may often malfunction. In addition, always connect the module when making noise level measurements.
- 6) The CMOS ICs are incorporated in the module and the pull-up and pull-down function is not adopted for the input so avoid putting the input signal open while the power is ON.
- 7) The characteristic of the semiconductor element changes when it is exposed to light emissions, therefore ICs on the LCD may malfunction if they receive light emissions. To prevent these malfunctions, design and assemble ICs so that they are shielded from light emissions.
- 8) Crosstalk occurs because of characteristics of the LCD. In general, crosstalk occurs when the regularized display is maintained. Also, crosstalk is affected by the LC drive voltage. Design the contents of the display, considering crosstalk.



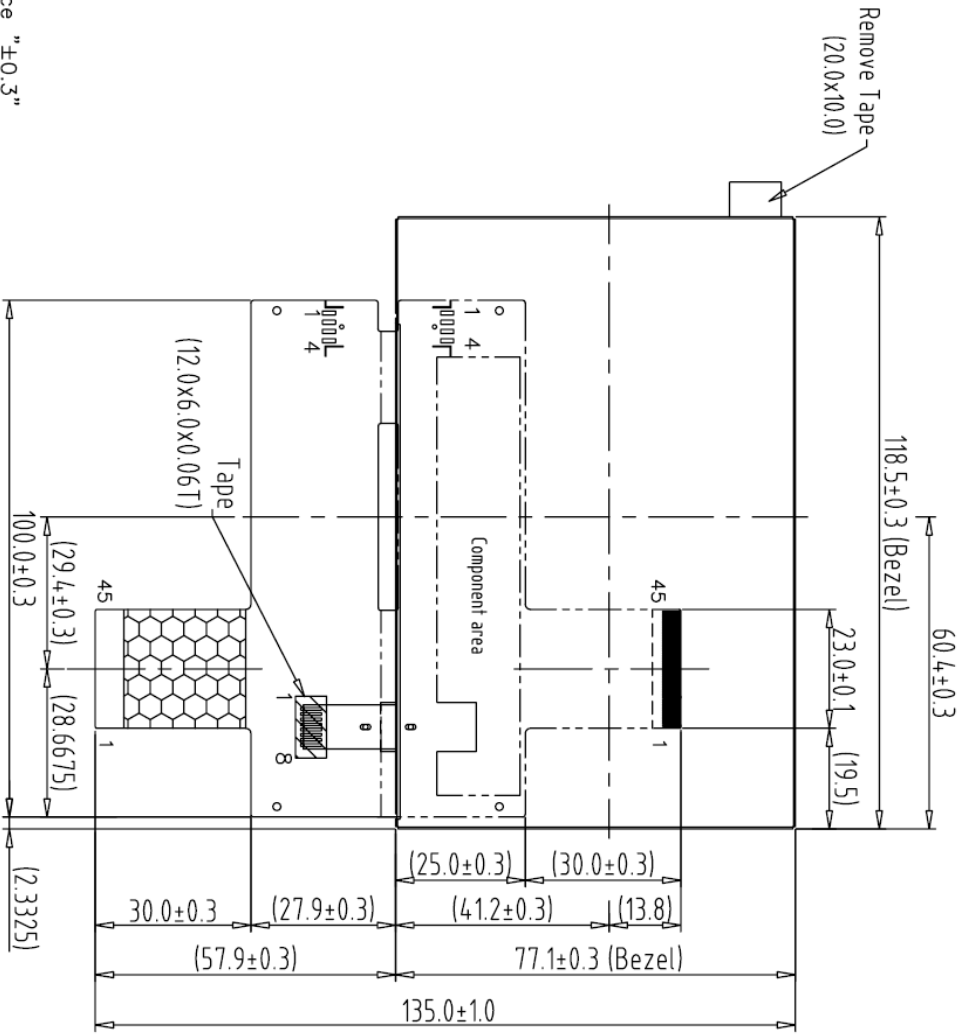
### **10.5Other**

- 1) Do not disassemble or take the LC module into pieces. The LC modules once disassembled or taken into pieces are not the guarantee articles.
- 2) The residual image may exist if the same display pattern is shown for hours. This residual image, however, disappears when another display pattern is shown or the drive is interrupted and left for a while. But this is not a problem on reliability.
- 3) AMIPRE will provide one year warranty for all products and three months warrantee for all repairing products.

# 11. OUTLINE DIMENSION



REV	REVISION RECORD	DATE	NAME
0	NEW RELEASE	06-07-12	SNOW
1	Rename TF800480-168-0 to 800480L6	06-12-12	SNOW



- Note:
1. Unless indicated, Tolerance " $\pm 0.3$ "
  2. UV Glue For OLB Protection.
  3. LCD 800x480 (R:G:B) TFT LCD => 5.0" TFT LCD

1	800480L	7																		
2	TF800480-168-0	8																		
3		9																		
4		10																		
5		11																		
6		12																		

Back view

**MM**  
AMPIRE 晶采光電科技

TITLE	DWG. NO.	SHEET
800480L6 (5.0")	*120620MA	SHEET 1 OF 1