



晶采光電科技股份有限公司
AMPIRE CO., LTD.

SPECIFICATIONS FOR LCD MODULE

CUSTOMER	
CUSTOMER PART NO.	
AMPIRE PART NO.	AM-640480G2TNQW -T08H
APPROVED BY	
DATE	

- Approved For Specifications
 Approved For Specifications & Sample

AMPIRE CO., LTD.

2F., No.88, Sec. 1, Sintai 5th Rd., Sijhih City, Taipei County 221,
Taiwan (R.O.C.)台北縣汐止市新台五路一段88號2樓(東方科學園區D棟)
TEL:886-2-26967269 , FAX:886-2-26967196 or 26967270

APPROVED BY	CHECKED BY	ORGANIZED BY

RECORD OF REVISION

Revision Date	Page	Contents	Editor
2009/11/23	--	New Release	Edward

1. INTRODUCTION

Ampire Display Module AM640480G2 is a color active matrix TFT-LCD that uses amorphous silicon TFT as a switching device . This model is composed of a 5.7inch TFT-LCD panel, touch panel, a driving circuit and LED backlight system . This TFT-LCD has a high resolution (640(R.G.B) X 480) and can display up to 262,144 colors .

1-1. Features

- VGA Resolution
- 6 Bits color driver with 1 channel TTL interface
- Wide range operation temperature

1-2. Applications

- Portable TV
- Car PC
- Industrial application
- HMI (Human machine interface)

2. PHYSICAL SPECIFICATIONS

Item	Specifications	unit
Display resolution(dot)	640RGB (W) x 480(H)	dots
Display area	115.2 (W) x 86.4 (H)	mm
Pixel pitch	0.18 (W) x 0.18 (H)	mm
Color configuration	R.G.B Vertical stripe	
Overall dimension	127.0(W)x98.43(H)x 9.9 (D)---(Typ)	mm
Brightness	200	cd/m ²
Contrast ratio	250 : 1	
Backlight unit	LED	
Display color	262,144	colors
Viewing Direction	12 o'clock	
Display Mode	Normally White	

3. ABSOLUTE MAXIMUM RATINGS

ITEM	SYMBOL	MIN	MAX	UNIT	NOTE
Power Supply Voltage	V _{cc}	-0.5	5	V	
Signal Input Voltage	DCLK , DE R0~R5 G0~G5 B0~B5	-0.5	V _{cc} + 0.5	V	
Operation Temperature	Top	-20	70	°C	(1)
Storage Temperature	Tstg	-30	80	°C	(1)

4. ELECTRICAL CHARACTERISTICS

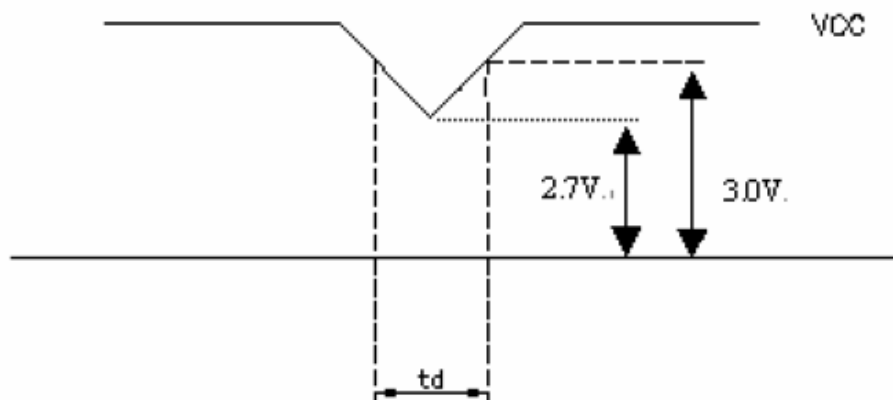
4-1 TFT LCD Module voltage

ITEM	SYMBOL	MIN	TYP	MAX	UNIT	NOTE
Power Voltage For LCD	V _{CC}	3.0	3.3	3.6	V	(1)
Power Voltage For LED	V _{DD}	--	5	--	V	
Logic Input Voltage	V _{IH}	V _{CC} *0.7	--	V _{CC}	V	
	V _{IL}	0	--	V _{CC} *0.3	V	
ADJ Input Voltage	V _{IH}	3.0	--	3.3	V	
	V _{IL}	GND	--	0.3	V	

NOTE : 1. V_{cc} – dip condition :

When $2.7V \leq V_{cc} < 3.0V$, $t_d \leq 10ms$

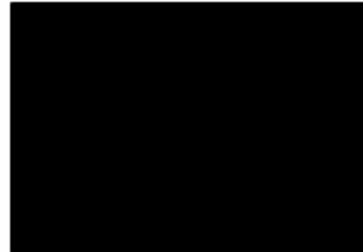
$V_{cc} > 3.0V$, V_{cc} – dip condition should be same as V_{cc} turn-on condition



4-2 TFT LCD current consumption

ITEM	SYMBOL	MIN	TYP	MAX	UNIT	NOTE
LCD Power Current	I _{CC}	-	82	-	mA	(1)
LED Power Current	I _{LED}	-	290	-	mA	(2)

NOTE : (1) Typ : under 64 gray pattern Max : under black pattern

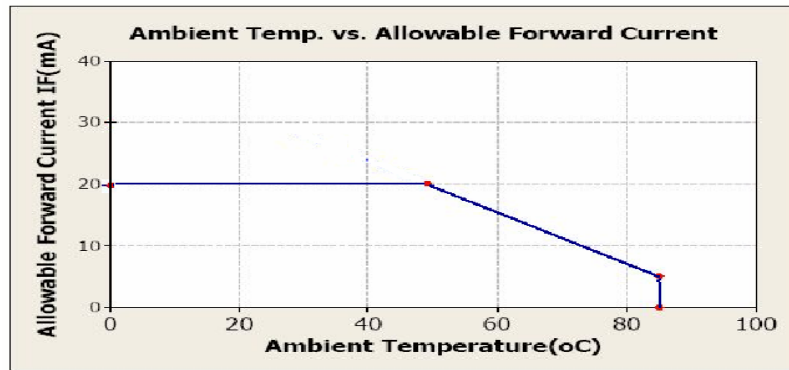


(a) 64 Gray Pattern

(b) Black Pattern

(2) Typ : When V_{LED} is 5.0V Max : When V_{LED} is 4.5V

One LED Dice :



4-3 Power Signal sequence All of information as below are to be define.

$$t1 \leq 10\text{ms}$$

$$50\text{ms} \leq t2$$

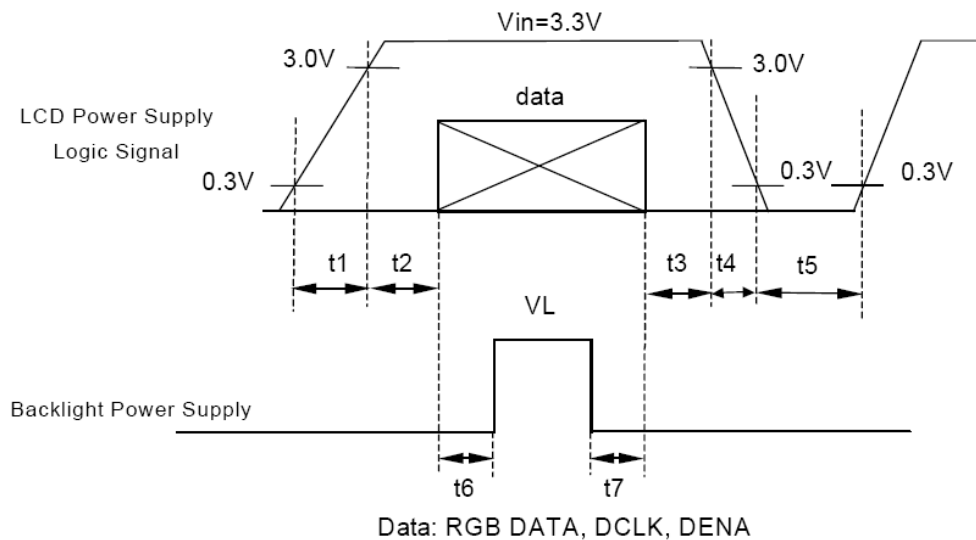
$$0 < t3 \leq 50\text{ms}$$

$$0 < t4 \leq 10\text{ms}$$

$$1\text{sec} \leq t5$$

$$200\text{ms} \leq t6$$

$$200\text{ms} \leq t7$$

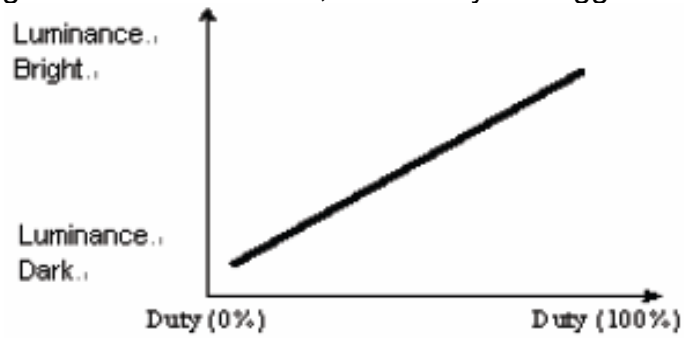


5. INTERFACE

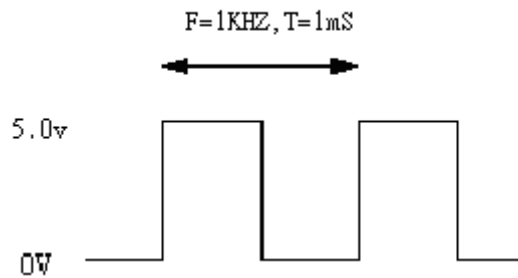
Pin No	Symbol	Function
1	U/D	Up or Down Display Control
2	(NC)	No connection
3	Hsync(NC)	Horizontal SYNC. (Sync mode used)
4	VLED	Power Supply for LED
5	VLED	Power Supply for LED
6	VLED	Power Supply for LED
7	Vcc	Power Supply for LCD
8	Vsync(NC)	Vertical SYNC. (Sync mode used)
9	DE	Data Enable
10	XL	Left electrode – differential analog
11	YU	Top electrode – differential analog
12	ADJ	Adjust for LED Brightness
13	B5	Blue Data 5 (MSB)
14	B4	Blue Data 4
15	B3	Blue Data 3
16	Vss	Power Ground
17	B2	Blue Data 2
18	B1	Blue Data 1
19	B0	Blue Data 0 (LSB)
20	Vss	Power Ground
21	G5	Green Data 5 (MSB)
22	G4	Green Data 4
23	G3	Green Data 3
24	Vss	Power Ground
25	G2	Green Data 2
26	G1	Green Data 1
27	G0	Green Data 0 (LSB)
28	Vss	Power Ground
29	R5	Red Data 5 (MSB)
30	R4	Red Data 4
31	R3	Red Data 3
32	Vss	Power Ground
33	R2	Red Data 2
34	R1	Red Data 1
35	R0	Red Data 0 (LSB)
36	XR	Right electrode – differential analog
37	YD	Bottom electrode – differential analog
38	DCLK	Clock Signals
39	Vss	Power Ground
40	L/R	Left or Right Display Control

NOTE :

1. ADJ adjust brightness to control Pin , Pulse duty the bigger the brighter.



2. ADJ signal = 0 ~ 5.0V , operation frequency : 300~1KHz



3. VSS Pin must ground contact, can not be floating.

4. U/D and L/R are controlled function

L/R	U/D	Function
1	0	Normally display
0	0	Left and Right opposite
1	1	Up and Down opposite
0	1	Left and Right opposite , Up and Down opposite

6. INPUT SIGNAL :

6-1 Timing Specification.

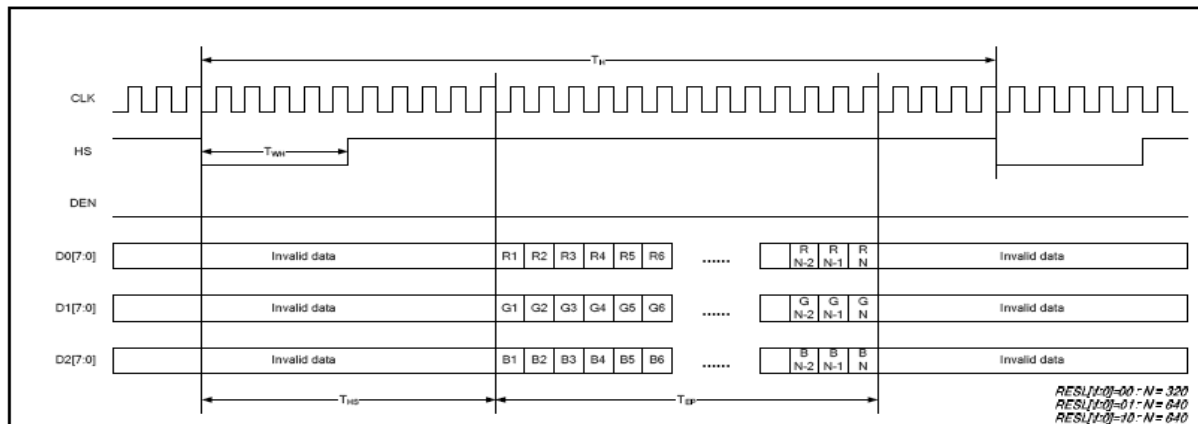
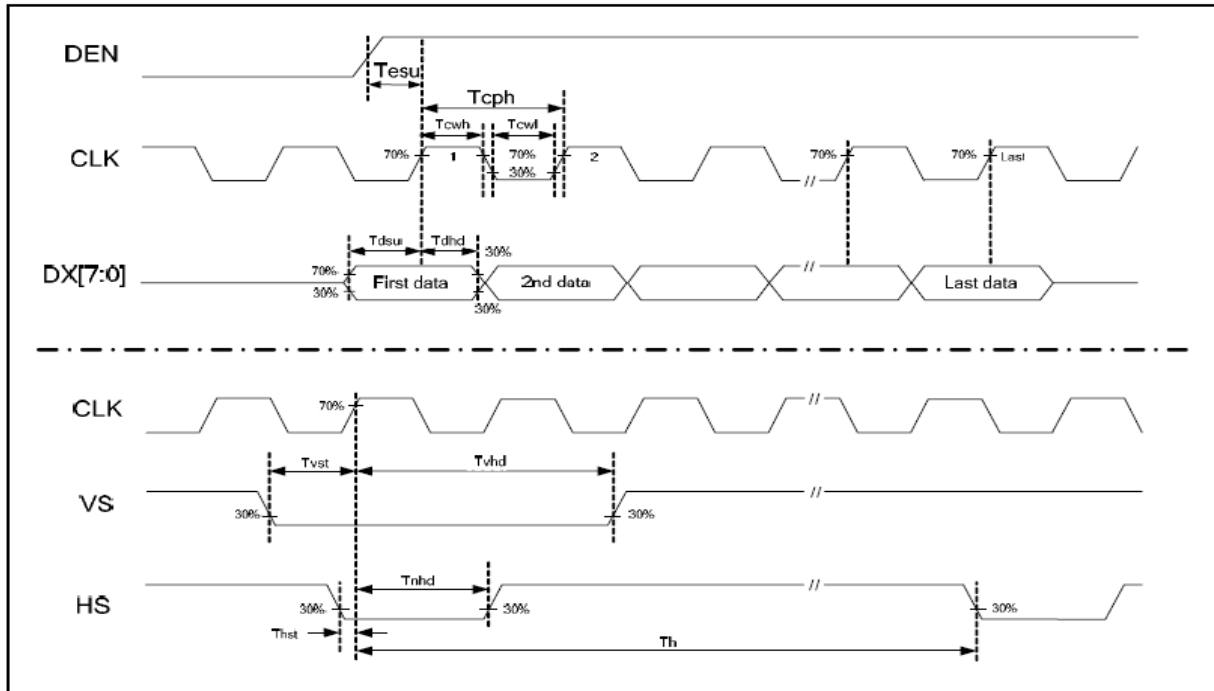
PARAMETER	Symbol	Min.	Typ.	Max	Unit
CLK frequency	F _{CPH}		25.175		MHz
CLK period	T _{CPH}	-	39.7	-	ns
CLK pulse duty	T _{CWH}	40	50	60	%
HS period	T _H	-	800	-	T _{CPH}
HS pulse width	T _{WH}	5	30	-	T _{CPH}
HS-first horizontal data time	T _{HS}	112	144	175	T _{CPH}
DEN pulse width	T _{EP}	-	640	-	T _{CPH}
VS pulse width	T _{WV}	1	3	5	T _H
VS-DEN time	T _{STV}	-	35	-	T _H
VS period	T _V	-	525	-	T _H

Note: When SYNC mode is used, 1st data start from 144th CLK after HS falling (when STHD[5:0]=00000)

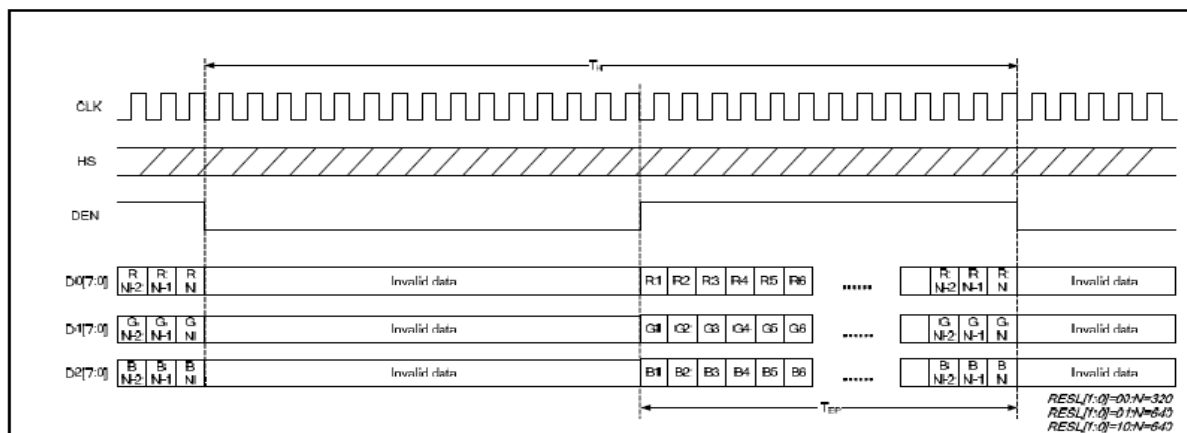
PARAMETER	Symbol	Min.	Typ.	Max	Unit
OEV pulse width	T _{OEV}		100	-	T _{CPH}
CKV pulse width	T _{CKV}	-	96	-	T _{CPH}
HS-CKV time	T ₁	-	52	-	T _{CPH}
HS-OEV time	T ₂	-	8	-	T _{CPH}
HS-POL time	T ₃	-	72	-	T _{CPH}
STV setup time	T _{SUV}	-	46	-	T _{CPH}
STV pulse width	T _{WSTV}	-	1	-	T _H

6-2 Timing chart

Clock and Data input waveforms



Parallel RGB SYNC Mode Horizontal Data Format



Parallel RGB DE Mode Horizontal Data Format

6-3 Color Data Assignment

COLOR	Input Data	R DATA						G DATA						B DATA					
		R5 MSB	R4	R3	R2	R1	R0 LSB	G5 MSB	G4	G3	G2	G1	G0 LSB	B5 MSB	B4	B3	B2	B1	B0 LSB
BASIC COLOR	BLACK	0	0	0	0	0	0	0	0	0	0	0	0	0	0	0	0	0	0
	RED(63)	1	1	1	1	1	1	0	0	0	0	0	0	0	0	0	0	0	0
	GREEN(63)	0	0	0	0	0	0	1	1	1	1	1	1	0	0	0	0	0	0
	BLUE(63)	0	0	0	0	0	0	0	0	0	0	0	0	1	1	1	1	1	1
	CYAN	0	0	0	0	0	0	1	1	1	1	1	1	1	1	1	1	1	1
	MAGENTA	1	1	1	1	1	1	0	0	0	0	0	0	1	1	1	1	1	1
	YELLOW	1	1	1	1	1	1	1	1	1	1	1	1	0	0	0	0	0	0
	WHITE	1	1	1	1	1	1	1	1	1	1	1	1	1	1	1	1	1	1
RED	RED(0)	0	0	0	0	0	0	0	0	0	0	0	0	0	0	0	0	0	0
	RED(1)	0	0	0	0	0	1	0	0	0	0	0	0	0	0	0	0	0	0
	RED(2)	0	0	0	0	1	0	0	0	0	0	0	0	0	0	0	0	0	0
	RED(62)	1	1	1	1	1	0	0	0	0	0	0	0	0	0	0	0	0	0
	RED(63)	1	1	1	1	1	1	0	0	0	0	0	0	0	0	0	0	0	0
GREEN	GREEN(0)	0	0	0	0	0	0	0	0	0	0	0	0	0	0	0	0	0	0
	GREEN(1)	0	0	0	0	0	0	0	0	0	0	0	1	0	0	0	0	0	0
	GREEN(2)	0	0	0	0	0	0	0	0	0	0	1	0	0	0	0	0	0	0
	GREEN(62)	0	0	0	0	0	0	1	1	1	1	1	0	0	0	0	0	0	0
	GREEN(63)	0	0	0	0	0	0	1	1	1	1	1	1	0	0	0	0	0	0
BLUE	BLUE(0)	0	0	0	0	0	0	0	0	0	0	0	0	0	0	0	0	0	0
	BLUE(1)	0	0	0	0	0	0	0	0	0	0	0	0	0	0	0	0	0	1
	BLUE(2)	0	0	0	0	0	0	0	0	0	0	0	0	0	0	0	0	1	0
	BLUE(62)	0	0	0	0	0	0	0	0	0	0	0	0	0	0	0	0	0	1
	BLUE(63)	0	0	0	0	0	0	0	0	0	0	0	0	0	0	0	0	1	0

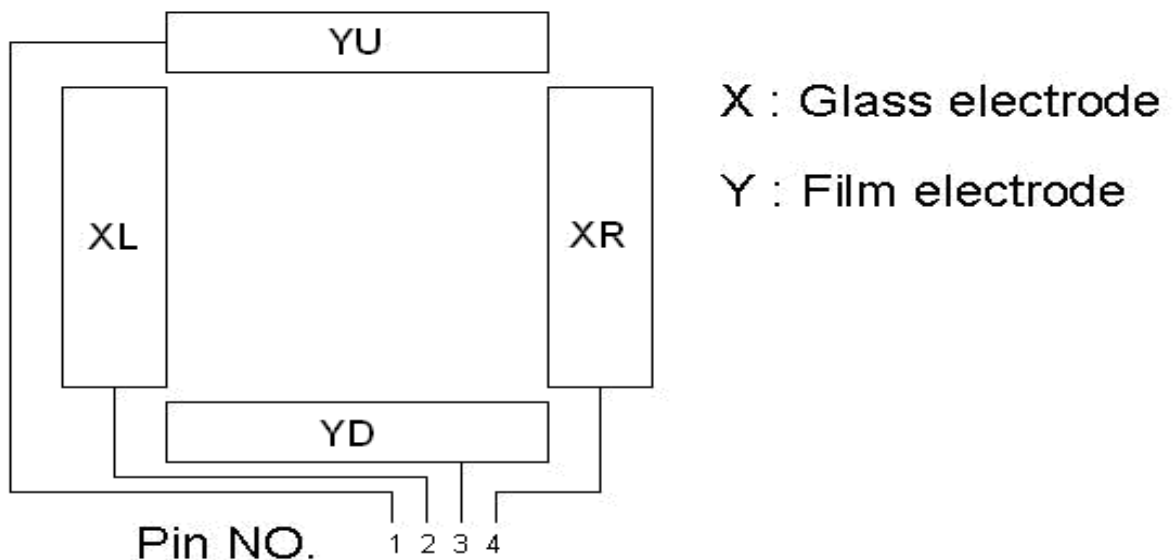
NOTE : (1) Definition of Gray Scale , Color(n) : n is series of Gray Scale
The more n value is the bright Gray Scale
(2) Data : 1-High , 0-Low

7. TOUCH PANEL ELECTRICAL SPECIFICATION

7-1 Touch Screen Panel Characteristics

1. Operation Temperature : $-20^{\circ}\text{C} \sim +70^{\circ}\text{C}$
Storage Temperature : $-30^{\circ}\text{C} \sim +80^{\circ}\text{C}$
2. Life Time : $> 1,000,000$ times
3. Linearity : $\leq 1.5\%$ after environmental & life test $\leq 3.0\%$
4. TOP ITO Film : Anti-Glare Hard Coating & Anti-Newton Ring
Sheet Resistance : $300\Omega \sim 1000\Omega$;
BOTTOM GLASS : Sheet Resistance : $100\Omega \sim 800\Omega$
5. Tai Type : FPC Gold-plated
6. Meet for ROHS.
7. Insulating Resistance : More than $20\text{M}\Omega$ at DC 25 V

7-2 Touch Screen Pane & Interface



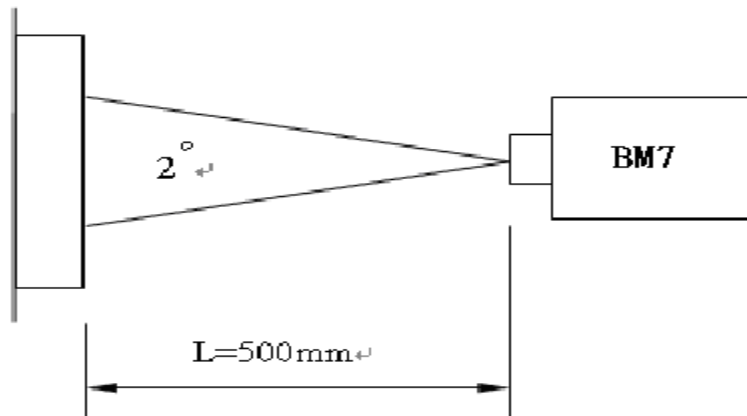
Pin No.	Symbol	I/O	Function
1	YU	Top	Top electrode – differential analog
2	XL	Left	Left electrode – differential analog
3	YD	Bottom	Bottom electrode – differential analog
4	XR	Right	Right electrode – differential analog

8. OPTICAL CHARACTERISTICS

Item		Symbol	Condition	Min.	Typ.	Max.	Unit	Note
Contrast ratio		CR	Point - 5 $\Theta = \Phi = 0^\circ$	200	250	--	--	(1)(2)(3)
Luminance		Lw		--	200	-	cd/m ²	(1)(3)
Luminance Uniformity		ΔL		70	75	-	%	(1)(3)
Response Time (White – Black)		$T_r + T_f$		--	50	--	ms	(1)(3)(5)
Viewing Angle	Vertical	Θ	CR \geq 10 Point – 5	80	100	-	Deg.	(1)(2)(4)
	Horizontal	Φ		120	140	-		
Color chromaticity	Red	Rx	Point - 5 $\Theta = \Phi = 0^\circ$	0.566	0.616	0.666	--	(1)(3)
		Ry		0.302	0.352	0.402		
	Green	Gx		0.308	0.358	0.408		
		Gy		0.518	0.568	0.618		
	Blue	Bx		0.096	0.146	0.196		
		By		0.086	0.136	0.186		
	White	Wx		0.296	0.346	0.396		
		Wy		0.328	0.378	0.428		

NOTE :

- (1) Measure conditions : $25^\circ\text{C} \pm 2^\circ\text{C}$, $60 \pm 10\% \text{RH}$ under 10Lux , in the dark room by BM-7TOPCON) , viewing 2° , VCC=3.3V , VDD=3.3V



- (2) Definition of Contrast Ratio :

Contrast Ratio (CR) = (White) Luminance of ON \div (Black) Luminance of OFF

- (3) Definition of Luminance :
 Definition of Luminance Uniformity
 Measure white luminance on the point 5 as figure9-1
 Measure white luminance on the point 1 ~ 9 as figure9-1

$$\Delta L = [L(\text{MIN}) / L(\text{MAX})] \times 100\%$$

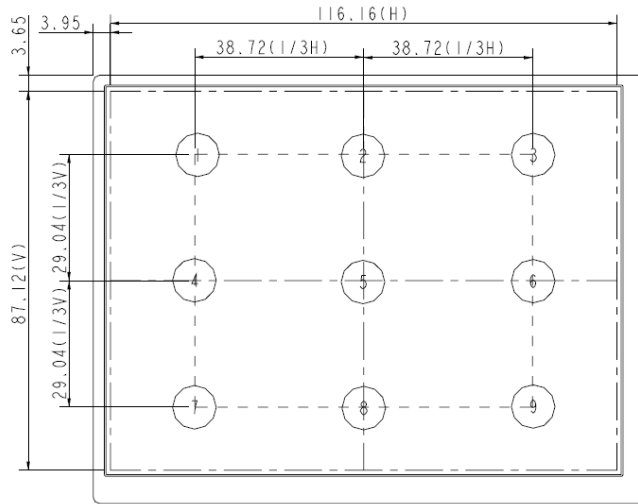


Fig9-1 Measuring point

- (4) Definition of Viewing Angle(Θ, Φ), refer to Fig9-2 as below :

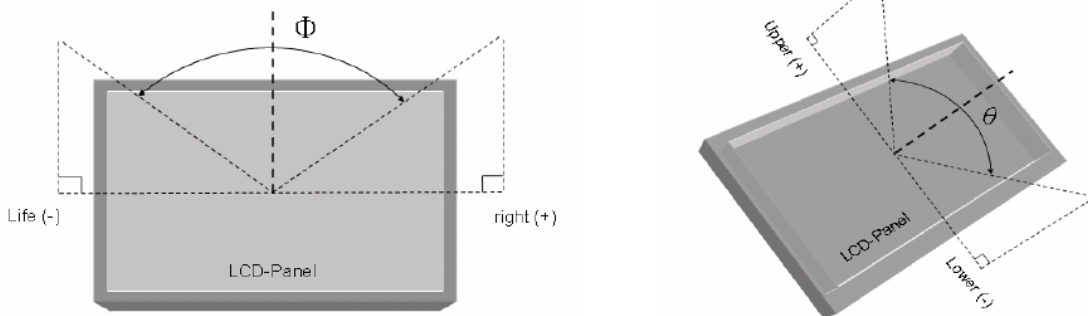


Fig9-2 Definition of Viewing Angle

- (5) Definition of Response Time.(White – Black)

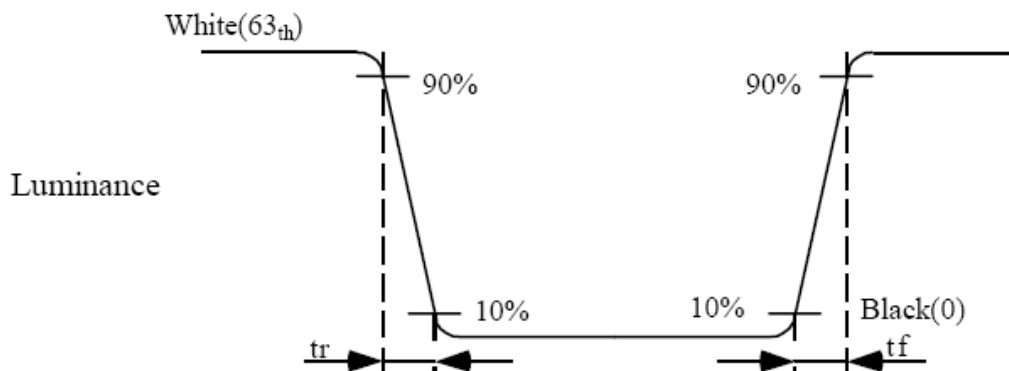


Fig9-3 Definition of Response Time(White-Black)

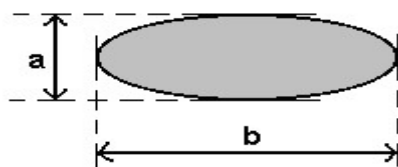
9 INCOMING INSPECTION STANDARD FOR TFT-LCD PANEL

DEFECT TYPE		LIMIT		Note				
VISUAL DEFECT	INTERNAL	SPOT	$\phi < 0.15\text{mm}$	Ignore	Note1			
			$0.15\text{mm} \leq \phi \leq 0.5\text{mm}$	$N \leq 4$				
			$0.5\text{mm} < \phi$	$N=0$				
		FIBER	$0.03\text{mm} < W \leq 0.1\text{mm}, L \leq 5\text{mm}$	$N \leq 3$	Note1			
			$1.0\text{mm} < W, 1.5\text{mm} < L$	$N=0$				
		POLARIZER BUBBLE	$\phi < 0.15\text{mm}$	Ignore	Note1			
	$0.15\text{mm} \leq \phi \leq 0.5\text{mm}$		$N \leq 2$					
	$0.5\text{mm} < \phi$		$N=0$					
	Mura	It' OK if mura is slight visible through 6%ND filter						
ELECTRICAL DEFECT	BRIGHT DOT	A Grade			B Grade			
		C Area	O Area	Total	C Area	O Area	Total	Note3
		$N \leq 0$	$N \leq 2$	$N \leq 2$	$N \leq 2$	$N \leq 3$	$N \leq 5$	Note2
	DARK DOT	$N \leq 2$	$N \leq 3$	$N \leq 3$	$N \leq 3$	$N \leq 5$	$N \leq 8$	
	TOTAL DOT	$N \leq 4$			$N \leq 5$	$N \leq 6$	$N \leq 8$	Note2
	TWO ADJACENT DOT	$N \leq 0$	$N \leq 1$ pair	$N \leq 1$ pair	$N \leq 1$ pair	$N \leq 1$ pair	$N \leq 1$ pair	Note4
	THREE OR MORE ADJACENT DOT	NOT ALLOWED						
	LINE DEFECT	NOT ALLOWED						

(1) One pixel consists of 3 sub-pixels, including R,G, and B dot.(Sub-pixel = Dot)

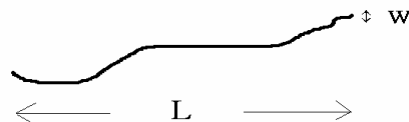
(2) LITTLE BRIGHT DOT ACCEPTABLE UNDER 6 % ND-Filter

[Note1] W : Width[mm], L : Length[mm], N : Number, ϕ : Average Diameter



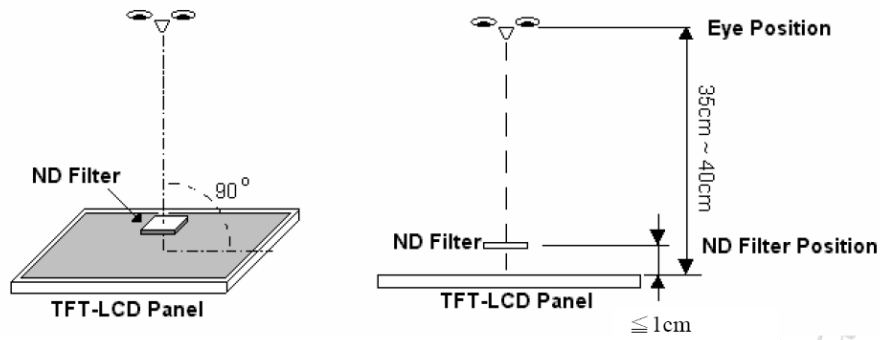
$$\phi = (a + b) / 2$$

1. (White, black) Spot
2. Polarizer Bubble

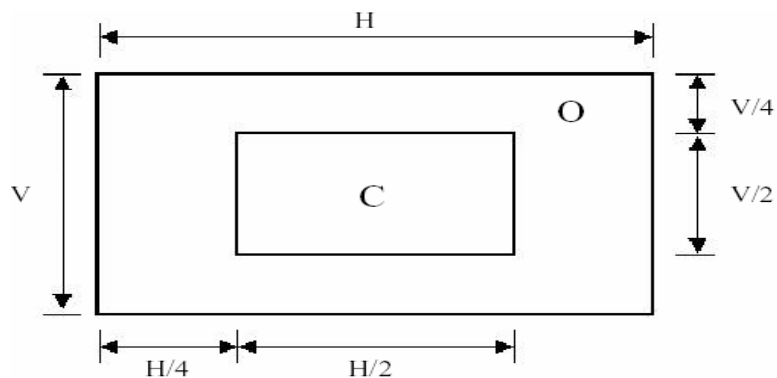


1. fiber

[Note2] Bright dot is defined through 6% transmission ND Filter as following.



[Note3]



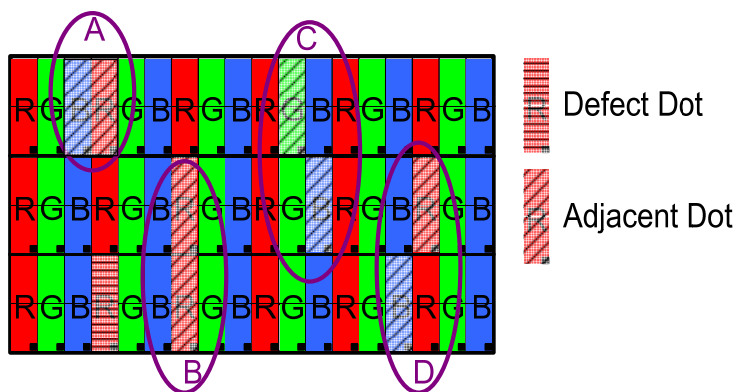
C Area: Center of display area

O Area: Outer of display area

[Note4]

Judge defect dot and adjacent dot as following. Allow below (as A, B, C and D status) adjacent defect dots, including bright and dark adjacent dot. And they will be counted 2

defect dots in total quantity.



(1) The defects that are not defined above and considered to be problem shall be reviewed and discussed by both parties.

(2) Defects on the Black Matrix, out of Display area, are not considered as a defect or counted.

10. RELIABILITY TEST CONDITIONS

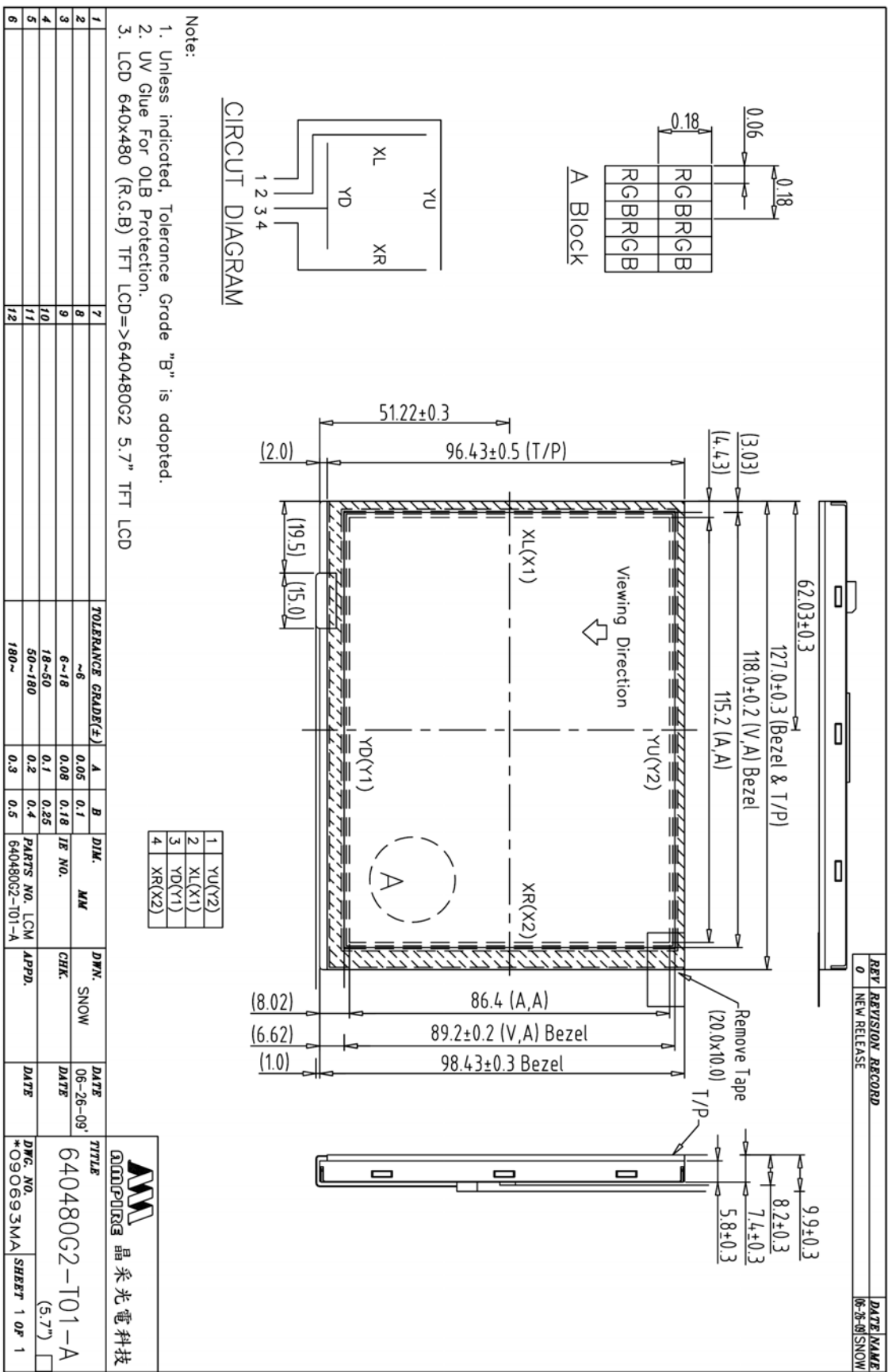
ITEM	CONDITIONS
HIGH TEMPERATURE OPERATION	70°C , 240Hrs*
HIGH TEMPERATURE AND HIGH HUMIDITY OPERATION	40°C , 90%RH , 240Hrs*
HIGH TEMPERATURE STORAGE	80°C , 240Hrs*
LOW TEMPERATURE OPERATION	-20°C , 240Hrs*
LOW TEMPERATURE STORAGE	-30°C , 240Hrs*
THERMAL SHOCK	-20°C (0.5Hr) ~70°C (0.5Hr) * 50Cycle

Note* : After 24 hr room temp. and test .

10.1 OTHERS

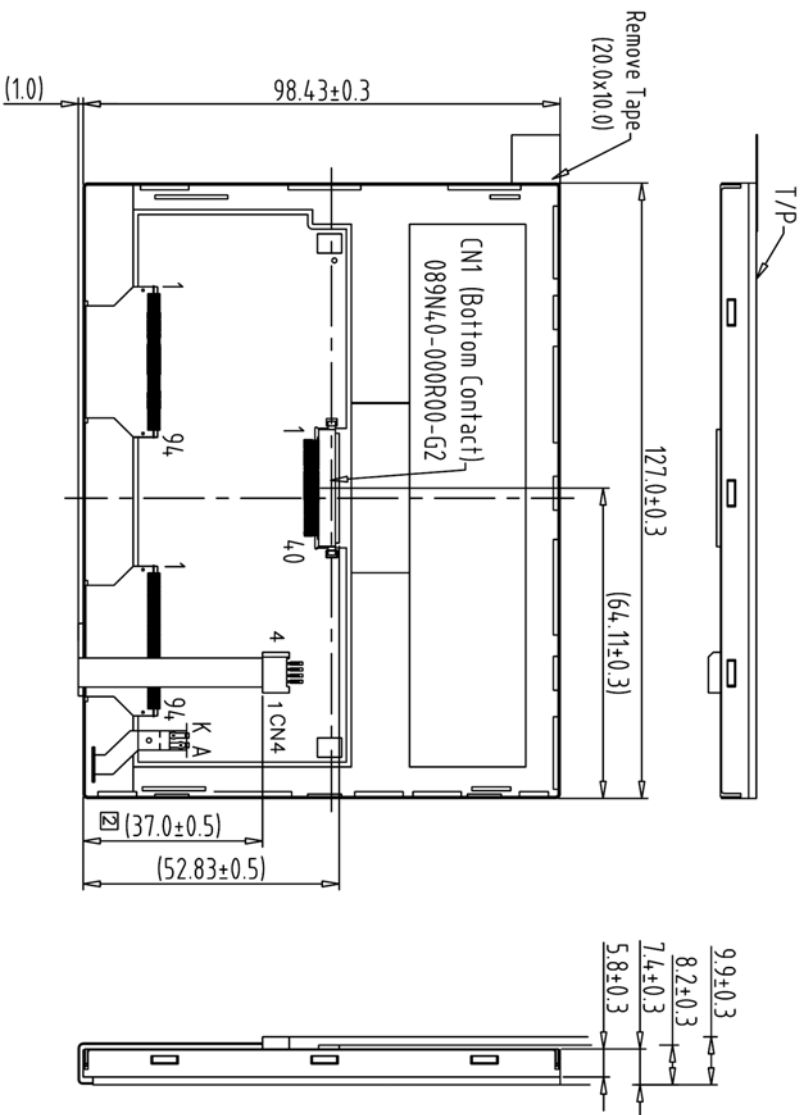
AMIPRE will provide one year warranty for all products and three months warrantee for all repairing products.

11. OUTLINE DIMENSION



REV	REVISION RECORD	DATE	NAME
0	NEW RELEASE	06-26-09	SNOW

CN1	
1 U/D	21 G5
2 DMS(NG)	22 G4
3 HSYNC(NG)	23 G3
4 VLED	24 VSS
5 VLED	25 G2
6 VLED	26 G1
7 VCC	27 G0
8 VSYNC(NG)	28 VSS
9 DE	29 R5
10 XL	30 R4
11 YU	31 R3
12 ADU	32 VSS
13 B5	33 R2
14 B4	34 R1
15 B3	35 R0
16 VSS	36 XR
17 B2	37 YD
18 B1	38 DCLK
19 B0	39 VSS
20 VSS	40 L/R



Back view

- Note:
1. Unless indicated, Tolerance Grade "B" is adopted.
 2. UV Glue For OLB Protection.
 3. LCD 640x480 (R.G.B) TFT LCD=>640480G2 5.7" TFT LCD

NO.	REV.	DESCRIPTION	DATE	BY	CHK.	APPD.	DATE
1							
2							
3							
4							
5							
6							
7							
8							
9							
10							
11							
12							

TOLERANCE GRADE(%)	A	B	DIM.	MM	DWG.	SNOW	DATE
~6	0.05	0.1					06-26-09
6~18	0.08	0.18	JE NO.		CHK.		DATE
18~50	0.1	0.25					
50~180	0.2	0.4	PARTS NO. LCM-1		APPD.		
180~	0.3	0.5	640480G2-T01-A				

MM 晶采光电科技	TITLE	DWG. NO.	SHEET
0000P00003	640480G2-T01-A	*090694MA	1 OF 1
	(5.7")		