



晶采光電科技股份有限公司  
AMPIRE CO., LTD.

## SPECIFICATIONS FOR LCD MODULE

<b>CUSTOMER</b>	
<b>CUSTOMER PART NO.</b>	
<b>AMPIRE PART NO.</b>	<b>AM-320240NTMQW-TW8H(R)</b>
<b>APPROVED BY</b>	
<b>DATE</b>	

- Approved For Specifications  
 Approved For Specifications & Sample

**AMPIRE CO., LTD.**  
**Building D., 2F., No.88, Sec. 1, Sintai 5th Rd., Sijhih City,**  
**Taipei County 221, Taiwan (R.O.C.)**  
**台北縣汐止市新台五路一段 88 號 2 樓(東方科學園區 D 棟)**  
**TEL:886-2-26967269 , FAX:886-2-86967196 or 26967270**

APPROVED BY	CHECKED BY	ORGANIZED BY

## RECORD OF REVISION

Revision Date	Page	Contents	Editor
2008/4/2	-	New Release	Kokai
2008/7/17	--	Rename to AM-320240NTMQW-TW8H(R)	Edward

## 1 Features

5.7 inch Amorphous-TFT-LCD (Thin Film Transistor Liquid Crystal Display) module. This module is composed of a 5.7" TFT-LCD panel, LCD controller, a driver circuit and backlight unit.

### 5.3 TFT Panel Feature :

- (1) Construction: 5.7" a-Si color TFT-LCD, White LED / CCFL Backlight, Touch Panel and PCB.
- (2) Resolution (pixel): 320(R.G.B) X240
- (3) Number of the Colors : 262K colors ( R , G , B 6 bit digital each)
- (4) LCD type : Transmissive Color TFT LCD ( normally White)
- (5) Interface: 40 pin pitch 0.5 FFC
- (6) Power Supply Voltage: 3.3V single power input. Built-in power supply circuit.
- (7) Viewing Direction: 6 O'clock ( The direction it's hard to be discolored ):

### 5.3 LCD Controller Feature:

- (1) MCU interface 8/9/16/18 bit 80&68 series MCU interface.
- (2) Display RAM size : 640x240x3x6 bits. Ex:320x240 two frame buffer with 262K colors.
- (3) Arbitrary display memory start position selection.
- (4) MCU interface : **16 bit 80 MPU interface.**
- (5) 8 bit / 16 bit interface support 65K ( R5G6B5) /262K(R6G6B6) colors data format.
- (6) 9 bit / 18 bit interface support 262K(R6G6B6) colors data format only.

## 2 Physical specifications

Item	Specifications	Unit	
Display resolution(dot)	960 (W) x 240(H)	mm	
Active area	115.2 (W) x 86.4 (H)	mm	
Screen size	5.7(Diagonal)	mm	
Pixel size	120 (W) x 360 (H)	um	
Color configuration	R.G.B stripe		
Overall dimension	131.0(W)x102.2(H)x13.9(D)	mm	
Weight	T.B.D	mg	
Backlight unit	LED		

### 3 Default Setting & Option

Interface:

The user can select the MCU interface by change the Jumper & Resister Array.

Setting	JP1	RA1	RA2	RA3	RA4	Remark
80-18Bit interface	1,2 short 2,3 open	2K ohm	OPEN	OPEN	OPEN	
80-16Bit interface	1,2 short 2,3 open	OPEN	2K ohm	OPEN	OPEN	<b>Default</b>
80-9Bit interface	1,2 short 2,3 open	OPEN	OPEN	2K ohm	OPEN	
80-8Bit interface	1,2 short 2,3 open	OPEN	OPEN	OPEN	2K ohm	
68-18Bit interface	1,2 open 2,3 short	2K ohm	OPEN	OPEN	OPEN	
68-16Bit interface	1,2 open 2,3 short	OPEN	2K ohm	OPEN	OPEN	
68-9Bit interface	1,2 open 2,3 short	OPEN	OPEN	2K ohm	OPEN	
68-8Bit interface	1,2 open 2,3 short	OPEN	OPEN	OPEN	2K ohm	

- Touch panel and Touch panel controller:

The user can select the with TP controller or without TP controller.

Pin Define	SK/X1	DO/X2	DI/Y1	TPCS/Y2	IRQ	Remark
Option						
Without TP	NC	NC	NC	NC	NC	Default
<b>With TP / Without TP controller</b>	<b>X1</b>	<b>X2</b>	<b>Y1</b>	<b>Y2</b>	<b>NC</b>	<b>Default</b>
With TP / With TP controller	SK	DO	DI	TPCS	IRQ	

If user wants to change the default setting for mass production, please contact with Ampire. We'll apply a new P/N for you.

## 4 Electrical specification

### 4.1 Absolute max. ratings

#### 3.1 Electrical Absolute max. ratings

Item	Symbol	Condition	Min.	Max.	Unit	Remark
Power voltage	VDD	VSS=0	-0.3	6.0	V	
Input voltage	V <sub>in</sub>		-0.3	VDD+0.3	V	Note 1

Note1: /CS,/WR,/RD,RS,DB0~DB17

#### 3.2 Environmental Absolute max. ratings

Item	OPERATING		STORAGE		Remark
	MIN	MAX	MIN	MAX	
Temperature	-20	70	-30	80	Note2,3,4,5,6,7
Humidity	Note1		Note1		
Corrosive Gas	Not Acceptable		Not Acceptable		

Note1 : Ta ≤ 40°C : 85% RH max

Ta > 40°C : Absolute humidity must be lower than the humidity of 85%RH at 40°C

Note2 : For storage condition Ta at -30°C < 48h , at 80°C < 100h

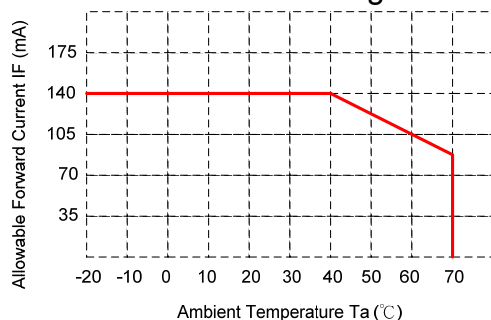
For operating condition Ta at -20°C < 100h

Note3 : Background color changes slightly depending on ambient temperature. This phenomenon is reversible.

Note4 : The response time will be slower at low temperature.

Note5 : Only operation is guaranteed at operating temperature. Contrast , response time, another display quality are evaluated at +25°C

Note6 : When LCM is operated over 40°C ambient temperature, the I<sub>LED</sub> of the LED back-light should be follow :



Note7 : This is panel surface temperature, not ambient temperature.

Note8 : When LCM be operated over than 40°C , the life time of the LED back-light will be reduced.

## 4.2 Electrical characteristics

### 4.2.1 DC Electrical characteristic of the LCD

Typical operating conditions (VSS=0V)

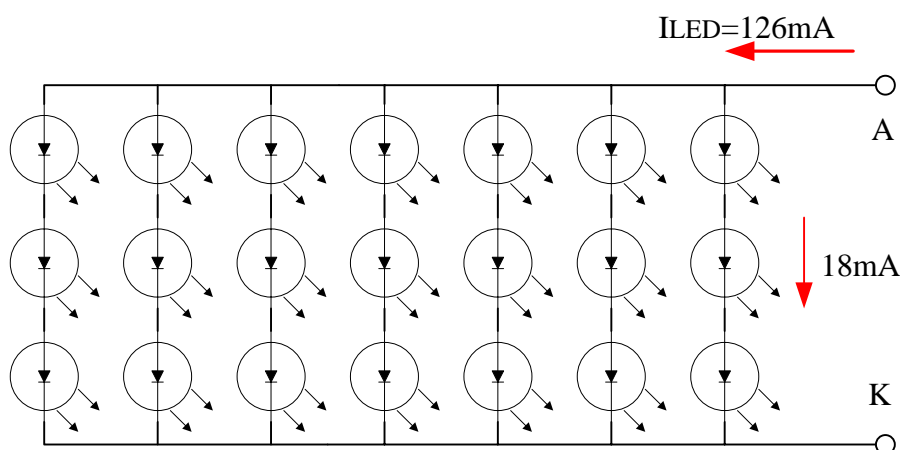
Item	Symbol	Min.	Typ.	Max.	Unit	Remark	
Power supply	VDD	3.1	5.0	5.2	V		
Input Voltage for logic	H Level	$V_{IH}$	0.7 VDD	-	VDD	V	Note 1
	L Level	$V_{IL}$	0	-	0.3 VDD	V	
Power Supply current	IDD		150		mA	Note 2	

Note1: With 5V Tolerance Input , /CS, /WR,/RD,RS,DB0~DB17

Note2: fv =60Hz , Ta=25°C , Display pattern : All Black

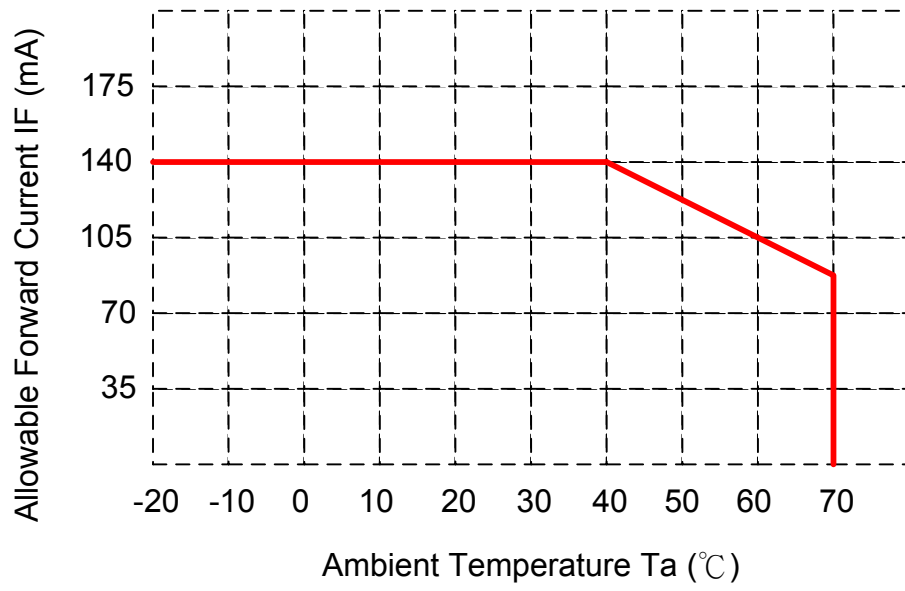
### 4.2.2 Electrical characteristic of LED Back-light

Parameter	Symbol	Min.	Typ.	Max.	Unit	Condition
LED voltage	$V_{AK}$	8.4	9.6	10.8	V	$I_{LED}$ =140mA, Ta=25°C
LED forward current	$I_{LED}$	--	126	140	mA	Ta=25°C
	$I_{LED}$	--	84	105	mA	Ta=60°C



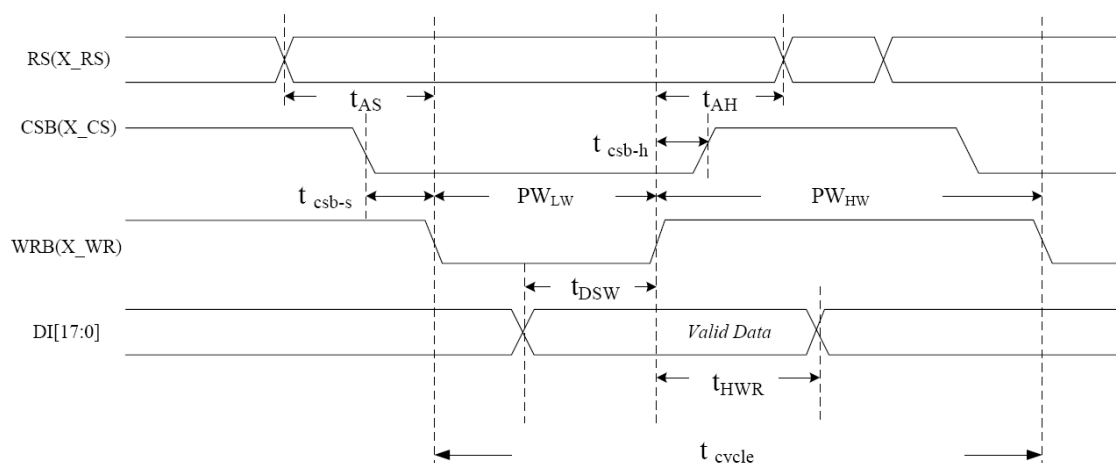
- The constant current source is needed for white LED back-light driving.

When LCM is operated over 60°C ambient temperature, the  $I_{LED}$  of the LED back-light should be adjusted to 105mA max



## 4.3 AC Timing characteristic of the Graphic TFT LCD controller

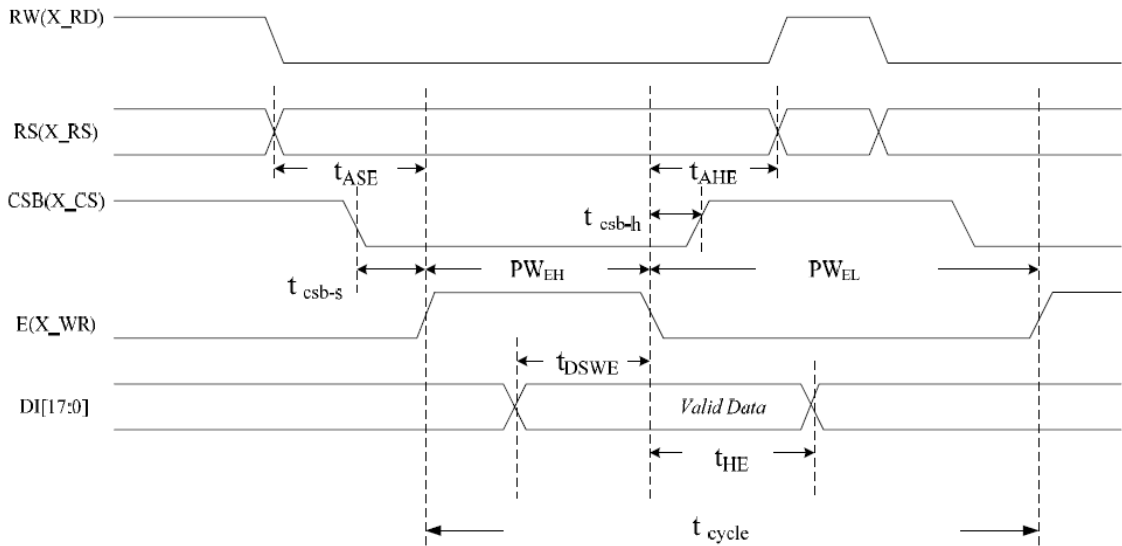
### 4.3 80 series Timing



Symbol	Parameter	Min	Typ	Max	Unit	Remark
$t_{cycle}$	Enable cycle time	100	200		ns	
$PW_{HW}$	Enable high-level pulse width	66	70		ns	
$PW_{LW}$	Enable low-level pulse width	33	130		ns	
$t_{AS}$	RS setup time	16	25		ns	
$t_{AH}$	RS hold time	16	45		ns	
$t_{DSW}$	Write data setup time	50	50		ns	
$t_{HWR}$	Write data hold time	50	40		ns	
$t_{csb-s}$	CSB setup time	16	20		ns	
$t_{csb-h}$	CSB hold time	16	30		ns	



## 4.4 68series Timing



Symbol	Parameter	Min	Typ	Max	Unit	Remark
$t_{cycle}$	Enable cycle time	100	200		ns	
$PW_{EH}$	Enable high-level pulse width	66	70		ns	
$PW_{EL}$	Enable low level pulse width	33	130		ns	
$t_{ASE}$	RS setup time	16	25		ns	
$t_{AHE}$	RS hold time	16	45		ns	
$t_{DSWE}$	Write data setup time	50	50		ns	
$t_{HE}$	Write data hold time	50	40		ns	
$t_{csb-s}$	CSB setup time	16	20		ns	
$t_{csbh}$	CSB hold time	16	30		ns	

## 5 Optical specification

### 5.1 Optical characteristic of the LCD

Item		Symbol	Condition	Min.	Typ.	Max.	Unit	Remark
Response Time	Rise	$T_r$	$\Theta=0^\circ$	-	15	30	ms	Note 1,2,3,5
	Fall	$T_f$		-	35	50	ms	
Contrast ratio		CR	At optimized viewing angle	200	350	-		Note 1,2,4,5
Viewing Angle	Top		$CR \geq 10$	55	60	-	deg.	Note1,2, 5,6
	Bottom			45	50	-		
	Left			55	60	-		
	Right			55	60	-		
Brightness		$Y_L$	$I_{LED}=126mA, 25^\circ C$	342	360	-	$cd/m^2$	Note 7
			$I_{LED}=140mA, 25^\circ C$	380	400	-	$cd/m^2$	
Red chromaticity		XR	$\Theta=0^\circ$ $\Theta=0^\circ$	0.610	0.640	0.670		Note 7 For reference only. These data should be update according the prototype.
		YR		0.314	0.344	0.374		
Green chromaticity		XG		0.268	0.298	0.328		
		YG		0.553	0.583	0.613		
Blue chromaticity		XB		0.102	0.132	0.162		
		YB		0.107	0.137	0.167		
White chromaticity		XW		0.282	0.312	0.342		
		YW		0.299	0.329	0.359		

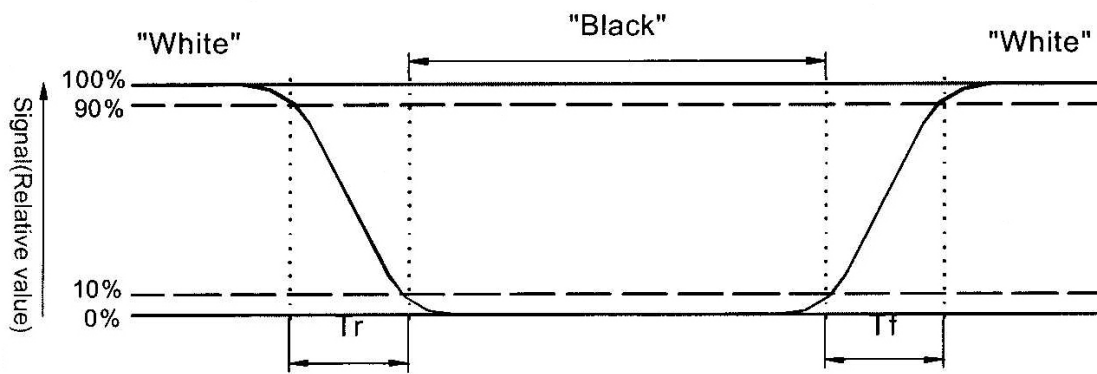
( ) For reference only. These data should be update according the prototype.

Note 1: Ambient temperature= $25^\circ C$ , and lamp current  $I_{LED}=140mA$ . To be measured in the dark room.

Note 2: To be measured on the center area of panel with a viewing cone of  $1^\circ$  by Topcon luminance meter BM-7, after 10 minutes operation.

Note 3. Definition of response time:

The output signals of photo detector are measured when the input signals are changed from "black" to "white" (falling time) and from "white" to "black" (rising time), respectively. The response time is defined as the time interval between the 10% and 90% of amplitudes. Refer to figure as below.



Note 4. Definition of contrast ratio:

Contrast ratio is calculated with the following formula.

$$\text{Contrast ratio(CR)} = \frac{\text{Photo detector output when LCD is at "White" state}}{\text{Photo detector Output when LCD is at "Black" state}}$$

Note 5: White  $V_i = V_{i50} + 1.5V$

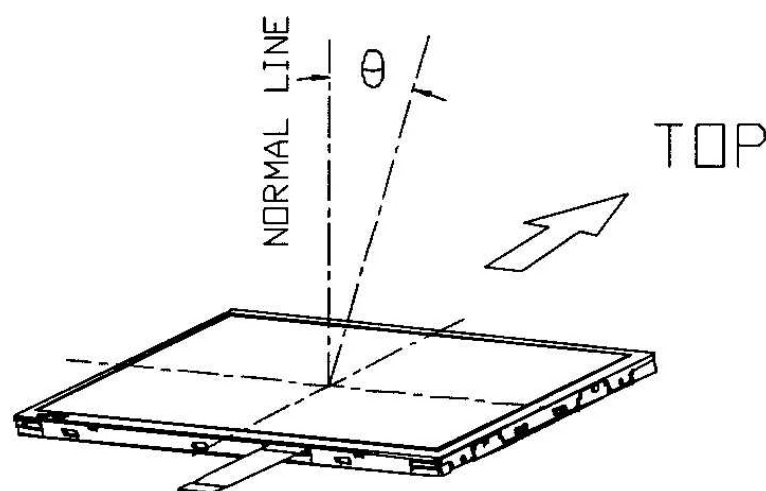
Black  $V_i = V_{i50} + 2.0V$

"±" means that the analog input signal swings in phase with  $V_{COM}$  signal.

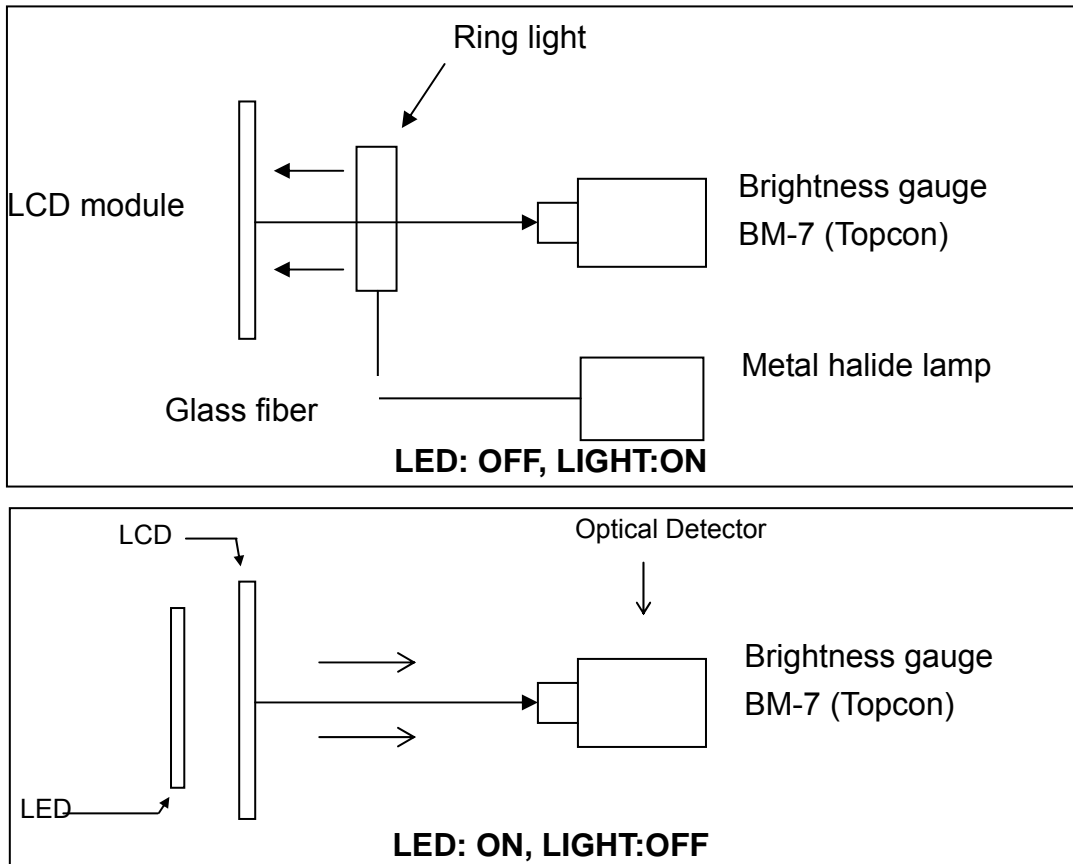
" $\frac{-}{+}$ " means that the analog input signal swings out of phase with  $V_{COM}$  signal.

$V_{i50}$  : The analog input voltage when transmission is 50%. The 100% Transmission is defined as the transmission of LCD panel when all the Input terminals of module are electrically opened.

Note 6. Definition of viewing angle, refer to figure as below.



Note 7. Measured at the center area of the panel when all the input terminals of LCD panel are electrically opened.



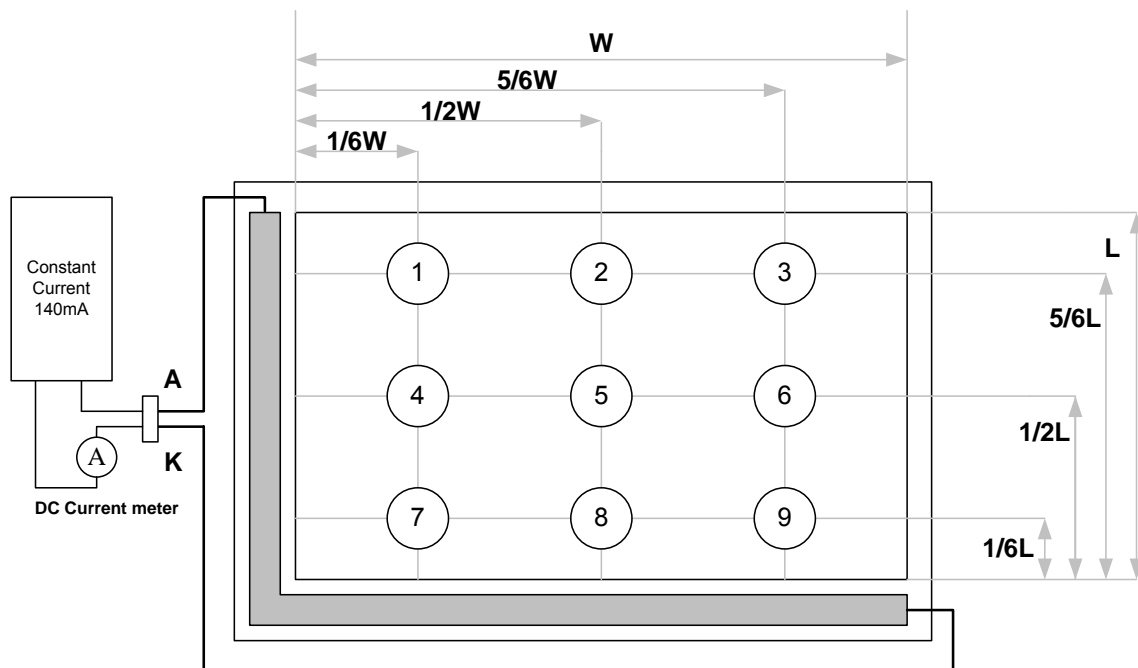
## 5.2 Optical characteristic of the Back-light

ITEM	MIN	TYP	MAX	UNIT	Condition
Bare Brightness	3500	--	--	Cd/m <sup>2</sup>	$I_{LED} = 140mA, T_a = 25^{\circ}C$
AVG. X of 1931 C.I.E.	0.28	0.31	0.34	--	$I_{LED} = 140mA, T_a = 25^{\circ}C$
AVG. Y of 1931 C.I.E.	0.28	0.31	0.34	--	$I_{LED} = 140mA, T_a = 25^{\circ}C$
Brightness Uniformity	80	--	--	%	$I_{LED} = 140mA, T_a = 25^{\circ}C$

( ) For reference only. These data should be update according the prototype.

Note1 : Measurement after 10 minutes from LED BL operating.

Note2 : Measurement of the following 9 places on the display.



Note3: The Uniformity definition

$(\text{Min Brightness} / \text{Max Brightness}) \times 100\%$

### 5.3 Touch Panel Electrical Specification

Parameter	Condition	Standard Value
Terminal Resistance	X Axis	340 ~ 1090 Ω
	Y Axis	180 ~ 470 Ω
Insulating Resistance	DC 25 V	More than 20MΩ
Linearity	--	±1.5 %
Notes life by Pen	Note a	100,000 times(min)
Input life by finger	Note b	1,000,000 times (min)

**Note A .**

Notes area for pen notes life test is 10 x 9 mm.

Size of word is 7.5 x 6.72

Shape of pen end : R0.8

Load : 250 g

**Note B**

By Silicon rubber tapping at same point

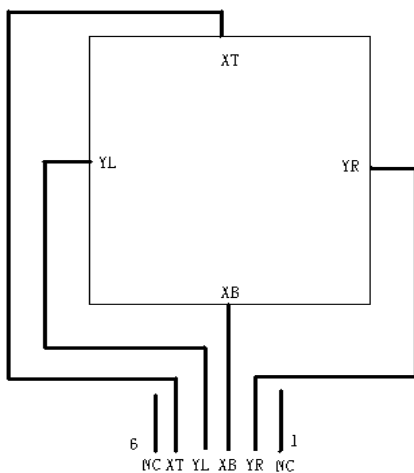
Shape of rubber end : R8

Load : 200g

Frequency : 5 Hz

**Interface**

No.	Symbol	Function
1	NC	No connection
2	YR	Touch Panel Right Signal
3	XB	Touch Panel Bottom Signal
4	YL	Touch Panel Left Signal
5	XT	Touch Panel Top Signal
6	NC	No connection



## 6 Interface specifications

### 6.1 Driving signals for the TFT panel

Pin no	Symbol	I/O	Description	Remark
1	DGND		GND	
2	DGND		GND	
3	NC		No connection	
4	NC		No connection	
5	/RESET	H/L	Reset signal for TFT LCD controller	
6	RS	H/L	Register and Data select for TFT LCD controller	
7	/CS	H/L	Chip select low active signal for TFT LCD controller	
8	/WR	H/L	80mode : /WR low active signal for TFT LCD controller 68mode : E signal latch on rising edge	
9	/RD	H/L	80mode : /RD low active signal for TFT LCD controller 68mode : R/W signal H: read L: Write	
10	DB0	I	Data Input	
11	DB1	I	Data Input	
12	DB2	I	Data Input	
13	DB3	I	Data Input	
14	DB4	I	Data Input	
15	DB5	I	Data Input	
16	DB6	I	Data Input	
17	DB7	I	Data Input	
18	DB8	I	Data Input	
19	DB9	I	Data Input	
20	DB10	I	Data Input	
21	DB11	I	Data Input	
22	DB12	I	Data Input	
23	DB13	I	Data Input	
24	DB14	I	Data Input	
25	DB15	I	Data Input	
26	DB16	I	Data Input	
27	DB17	I	Data Input	
28	65K/262K	H/L	Select color data form. H: 262K L: 65K	
29	DGND		GND	
30	SK/X1	-	Serial clock for Touch panel controller Touch Panel Left Signal in X Axis	
31	DO/X2	-	Data Output for Touch panel controller Touch Panel Right Signal in X Axis	
32	DI / Y1	-	Data In for Touch panel controller Touch Panel Upper Signal in Y Axis	

33	TPCS / Y2	-	Chip Select for Touch panel controller Touch Panel Lower Signal in X Axis	
34	INT	-	Interrupt for Touch panel controller	
35	VDD		Power supply for the logic	
36	VDD		Power supply for the logic	
37	VDD		Power supply for the logic	
38	DGND		GND	
39	DGND		GND	
40	DGND		GND	

30~34 : SK, DO, DI, CS, INT for Touch Panel controller TSC2046  
/ X1, X2, Y1, Y2 for Touch Panel (without TSC2046)

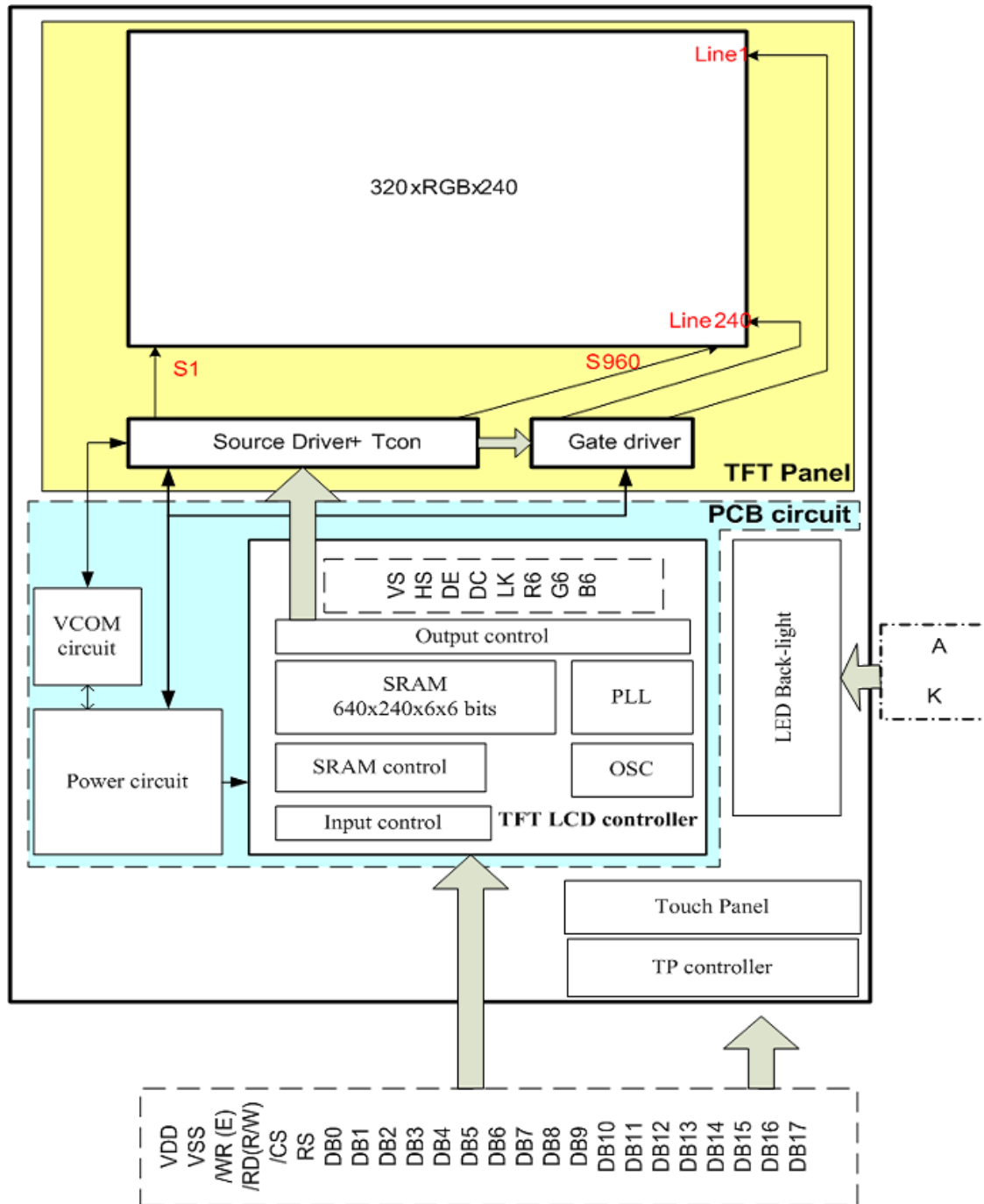
## 6.2 Driving signals for the LED back-light

JST Housing: BHR-03VS-1

Pin no	Symbol	Level	Description	Remark
1	A	-	LED Anode	
2	NC	-	No connection	
3	K	-	LED Cathode	

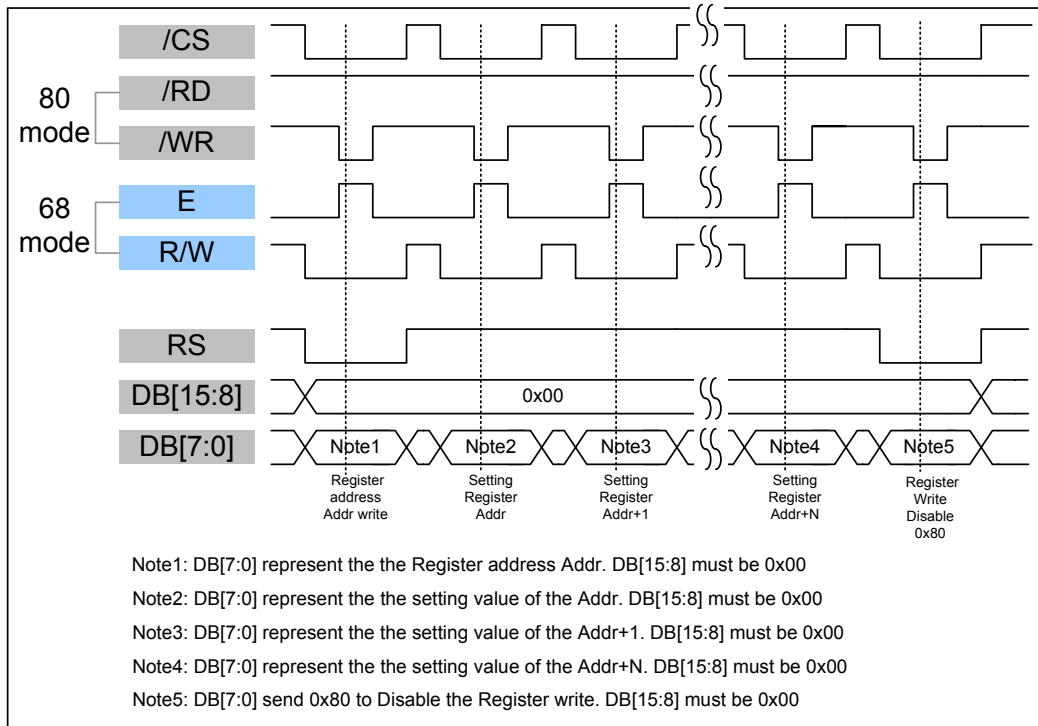


# 7 BLOCK DIAGRAM

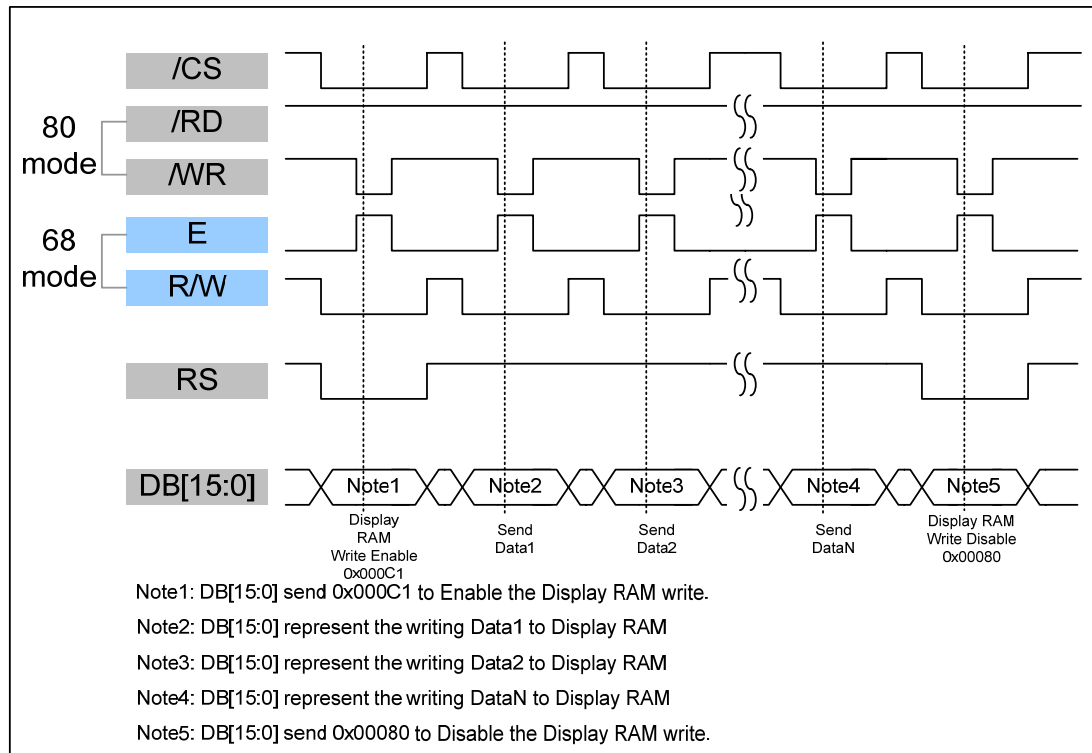


## 8 Interface Protocol

### 8.1 16Bit-80/68- Write to Command Register



### 8.2 16Bit-80/68- Write to Display RAM



### 8.3 Data transfer order Setting

#### 8.3.1 16 bit interface 65K color (Pin12 65K/262K =Low)

DB	15	14	13	12	11	10	9	8	7	6	5	4	3	2	1	0
	R4	R3	R2	R1	R0	G5	G4	G3	G2	G1	G0	B4	B3	B2	B1	B0

#### 8.3.2 16 bit interface 262K color (Pin12 65K/262K =High)

DB	15	14	13	12	11	10	9	8	7	6	5	4	3	2	1	0
1 <sup>st</sup> data	X	X	X	X	X	X	X	X	X	X	X	X	X	X	R5	R4
2 <sup>nd</sup> data	R3	R2	R1	R0	G5	G4	G3	G2	G1	G0	B5	B4	B3	B2	B1	B0

## 9 Register Depiction

Register Address (Hex)	Default (Hex)	DB7	DB6	DB5	DB4	DB3	DB2	DB1	DB0	Remark
00	00	MSB of X-axis start position								
Description	set the horizontals start position of display active region									
Register Address (Hex)	Default (Hex)	DB7	DB6	DB5	DB4	DB3	DB2	DB1	DB0	Remark
01	00	LSB of X-axis start position								
Description	set the horizontals start position of display active region									
Register Address (Hex)	Default (Hex)	DB7	DB6	DB5	DB4	DB3	DB2	DB1	DB0	Remark
02	01	MSB of X-axis end position								
Description	set the horizontals end position of display active region									
Register Address (Hex)	Default (Hex)	DB7	DB6	DB5	DB4	DB3	DB2	DB1	DB0	Remark
03	3F	LSB of X-axis end position								
Description	set the horizontals end position of display active region									
Register Address (Hex)	Default (Hex)	DB7	DB6	DB5	DB4	DB3	DB2	DB1	DB0	Remark
04	00	MSB of Y-axis start position								
Description	set the vertical start position of display active region									
Register Address (Hex)	Default (Hex)	DB7	DB6	DB5	DB4	DB3	DB2	DB1	DB0	Remark
05	00	LSB of Y-axis start position								
Description	Set the vertical start position of display active region									
Register Address (Hex)	Default (Hex)	DB7	DB6	DB5	DB4	DB3	DB2	DB1	DB0	Remark
06	00	MSB of Y-axis end position								
Description	set the vertical end position of display active region									
Register Address (Hex)	Default (Hex)	DB7	DB6	DB5	DB4	DB3	DB2	DB1	DB0	Remark
07	EF	LSB of Y-axis end position								
Description	Set the vertical end position of display active region									

To simplify the address control of display RAM access, the window area address function

allows for writing data only within a window area of display RAM specified by registers REG[00]~REG[07].

After writing data to the display RAM, the Address counter will be increased within setting window address-range which is specified by

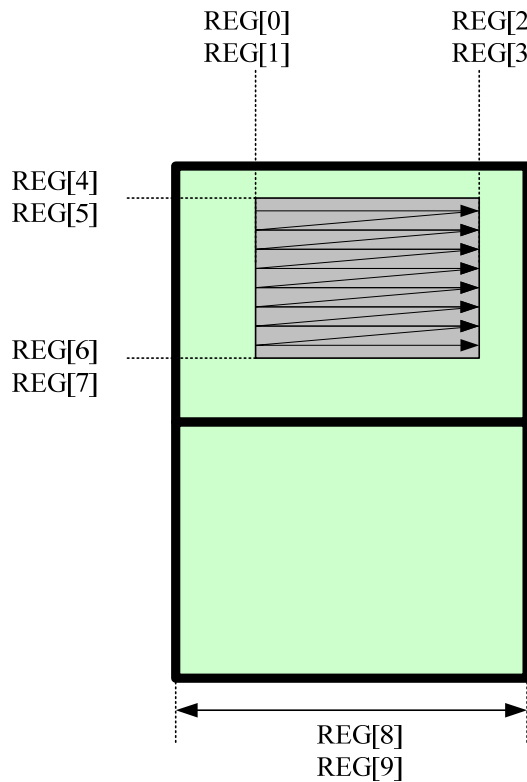
MIN X address (REG[0] & REG[1])

MAX X address (REG[2] & REG[3])

MIN Y address (REG[4] & REG[5])

MAX Y address (REG[6] & REG[7])

Therefore, data can be written consecutively without thinking the data address.



Register Address (Hex)	Default (Hex)	DB7	DB6	DB5	DB4	DB3	DB2	DB1	DB0	Remark
08	01	X	X	X	X	X	X	_PanelXSize_H_Byte[1:0]		
Description	Set the panel X size									
Register Address (Hex)	Default (Hex)	DB7	DB6	DB5	DB4	DB3	DB2	DB1	DB0	Remark
09	40	_PanelXSize_L_Byte[7:0]								
Description	Set the panel X size									

The register REG[08] and REG[09] is use to calculate the RAM address. If you want to use the TFT as Landscape mode (320x240), the REG[08] & RGE[09] must set to 320. If you want to use the TFT as Portrait mode (240x320), the REG[08] & RGE[09] must set to 240.

Register Address (Hex)	Default (Hex)	DB7	DB6	DB5	DB4	DB3	DB2	DB1	DB0	Remark
0A	00	X	X	X	X	X	[17:16] bits of memory write start address			
Description	Memory write start address									
Register Address (Hex)	Default (Hex)	DB7	DB6	DB5	DB4	DB3	DB2	DB1	DB0	Remark
0B	00	[15:8] bits of memory write start address								
Description	Memory write start address									
Register Address (Hex)	Default (Hex)	DB7	DB6	DB5	DB4	DB3	DB2	DB1	DB0	Remark
0C	00	[7:0] bits of memory write start address								
Description	Memory write start address									

Register Address (Hex)	Default (Hex)	DB7	DB6	DB5	DB4	DB3	DB2	DB1	DB0	Remark
0x10	0x0D	Bit_SWAP	OUT_TEST	BUS_SEL		Blanking	P/S_SEL	CLK_SEL		
Description	<p>"0x10_Clk_sel[1:0]" : The TFT controller built-in 40Mhz PLL clock. These bits are for select the TFT panel dot clock frequency. 00 : 20Mhz 01: 10Mhz 02: 5 Mhz</p> <p>"0x10_ps_sel[2]" : The TFT controller support parallel and serial RGB interface. These bits are for select the output timing. 0 : serial Panel 1: Parallel panel</p>									

"0x10_blanking_tmp[3]" 0 : OFF (blanking) 1: ON ( normal operation)										
"0x10_bus_sel[5:4]" : It only for serial Panel 00=R , 01=G , 10=B										
"0x10_out_test[6]" : Self test 0 : normal operation 1: for test (don't use for normal operation) When set the bit to "1" , the Rout=(Reg 2a[6:0]) Gout=(Reg 2b[6:0]) Bout=(Reg 2c[6:0])										
"0x10_bit_swap[7]" : 0-normal										
The default setting is suitable for AM320240N1. Don't need to modify it.										
Register Address (Hex)	Default (Hex)	DB7	DB6	DB5	DB4	DB3	DB2	DB1	DB0	Remark
0x11	00	X	X	EVEN			_ODD			
Description	<p>" Even line of serial panel data out sequence or data bus order of parallel panel  <b>000: RGB</b>  001: RBG  010: GRB  011: GBR  100: BRG  101: BGR  Others: reserved</p> <p>Odd line of serial panel data out sequence  000: RGB  001: RBG  010: GRB  011: GBR  100: BRG  <b>101: BGR</b>  Others: reserved  <b>Must Set to 0x05 for AM320240N1</b></p>									

Register Address (Hex)	Default (Hex)	DB7	DB6	DB5	DB4	DB3	DB2	DB1	DB0	Remark
0x12	00					Hsync_stH_Byte[3:0]				
Description	For TFT output timing adjust: Hsync start position H-Byte The default setting is suitable for AM320240N1. Don't need to modify it.									
Register Address (Hex)	Default (Hex)	DB7	DB6	DB5	DB4	DB3	DB2	DB1	DB0	Remark
0x13	00	Hsync_stL_Byte[7:0]								
Description	For TFT output timing adjust: Hsync start position L-Byte The default setting is suitable for AM320240N1. Don't need to modify it.									

Register Address (Hex)	Default (Hex)	DB7	DB6	DB5	DB4	DB3	DB2	DB1	DB0	Remark	
0x14	00					Hsync_pwH_Byte[3:0]					
Description	For TFT output timing adjust: Hsync pulse width H-Byte The default setting is suitable for AM320240N1. Don't need to modify it.										
Register Address (Hex)	Default (Hex)	DB7	DB6	DB5	DB4	DB3	DB2	DB1	DB0	Remark	
0x15	10	Hsync_pwL_Byte[7:0]									
Description	For TFT output timing adjust: Hsync pulse width L-Byte The default setting is suitable for AM320240N1. Don't need to modify it.										
Register Address (Hex)	Default (Hex)	DB7	DB6	DB5	DB4	DB3	DB2	DB1	DB0	Remark	
0x16	00	Hact_stH_Byte[3:0]									
Description	For TFT output timing adjust: DE pulse start position H-Byte The default setting is suitable for AM320240N1. Don't need to modify it.										
Register Address (Hex)	Default (Hex)	DB7	DB6	DB5	DB4	DB3	DB2	DB1	DB0	Remark	
0x17	38	Hact_stL_Byte[7:0]									
Description	For TFT output timing adjust: DE pulse start position L-Byte The default setting is suitable for AM320240N1. Don't need to modify it.										
Register Address (Hex)	Default (Hex)	DB7	DB6	DB5	DB4	DB3	DB2	DB1	DB0	Remark	
0x18	01	Hact_pwH_Byte[3:0]									
Description	For TFT output timing adjust: DE pulse width H-Byte The default setting is suitable for AM320240N1. Don't need to modify it.										
Register Address (Hex)	Default (Hex)	DB7	DB6	DB5	DB4	DB3	DB2	DB1	DB0	Remark	
0x19	40	Hact_pwL_Byte[7:0]									
Description	For TFT output timing adjust: DE pulse width L-Byte The default setting is suitable for AM320240N1. Don't need to modify it.										

Register Address (Hex)	Default (Hex)	DB7	DB6	DB5	DB4	DB3	DB2	DB1	DB0	Remark
0x1A	01	HtotalH_Byte[3:0]								
Description	For TFT output timing adjust: Hsync total clocks H-Byte The default setting is suitable for AM320240N1. Don't need to modify it.									



Register Address (Hex)	Default (Hex)	DB7	DB6	DB5	DB4	DB3	DB2	DB1	DB0	Remark
0x1B	B8	HtotalL_Byte[7:0]								
Description	For TFT output timing adjust: Hsync total clocks H-Byte The default setting is suitable for AM320240N1. Don't need to modify it.									

Register Address (Hex)	Default (Hex)	DB7	DB6	DB5	DB4	DB3	DB2	DB1	DB0	Remark
0x1C	00	Vsync_stH_Byte[3:0]								
Description	For TFT output timing adjust: Vsync start position H-Byte The default setting is suitable for AM320240N1. Don't need to modify it.									

Register Address (Hex)	Default (Hex)	DB7	DB6	DB5	DB4	DB3	DB2	DB1	DB0	Remark
0x1D	00	Vsync_stL_Byte[7:0]								
Description	For TFT output timing adjust: Vsync start position L-Byte The default setting is suitable for AM320240N1. Don't need to modify it.									

Register Address (Hex)	Default (Hex)	DB7	DB6	DB5	DB4	DB3	DB2	DB1	DB0	Remark
0x1E	00	Vsync_pwH_Byte[3:0]								
Description	For TFT output timing adjust: Vsync pulse width H-Byte The default setting is suitable for AM320240N1. Don't need to modify it.									

Register Address (Hex)	Default (Hex)	DB7	DB6	DB5	DB4	DB3	DB2	DB1	DB0	Remark
0x1F	08	Vsync_pwL_Byte[7:0]								
Description	For TFT output timing adjust: Vsync pulse width L-Byte The default setting is suitable for AM320240N1. Don't need to modify it.									

Register Address (Hex)	Default (Hex)	DB7	DB6	DB5	DB4	DB3	DB2	DB1	DB0	Remark
0x20	00	Vact_stH_Byte[3:0]								
Description	For TFT output timing adjust: Vertical DE pulse start position H-Byte The default setting is suitable for AM320240N1. Don't need to modify it.									

Register Address (Hex)	Default (Hex)	DB7	DB6	DB5	DB4	DB3	DB2	DB1	DB0	Remark
0x21	12	Vact_stL_Byte[7:0]								
Description	For TFT output timing adjust: Vertical DE pulse start position L-Byte The default setting is suitable for AM320240N1. Don't need to modify it.									

Register Address (Hex)	Default (Hex)	DB7	DB6	DB5	DB4	DB3	DB2	DB1	DB0	Remark	
0x22	00					Vact_pwH_Byte[3:0]					
Description	For TFT output timing adjust: Vertical Active width H-Byte The default setting is suitable for AM320240N1. Don't need to modify it.										
Register Address (Hex)	Default (Hex)	DB7	DB6	DB5	DB4	DB3	DB2	DB1	DB0	Remark	
0x23	F0	Vact_pwL_Byte[7:0]									
Description	For TFT output timing adjust: Vertical Active width H-Byte The default setting is suitable for AM320240N1. Don't need to modify it.										
Register Address (Hex)	Default (Hex)	DB7	DB6	DB5	DB4	DB3	DB2	DB1	DB0	Remark	
0x24	01					VtotalH_Byte[3:0]					
Description	For TFT output timing adjust: Vertical total width H-Byte The default setting is suitable for AM320240N1. Don't need to modify it.										
Register Address (Hex)	Default (Hex)	DB7	DB6	DB5	DB4	DB3	DB2	DB1	DB0	Remark	
0x25	09	VtotalL_Byte[7:0]									
Description	For TFT output timing adjust: Vertical total width L-Byte The default setting is suitable for AM320240N1. Don't need to modify it.										

Register Address (Hex)	Default (Hex)	DB7	DB6	DB5	DB4	DB3	DB2	DB1	DB0	Remark	
26	00	X	X	X	X	X	[17:16] bits of memory read start address				
Description	Memory read start address										
Register Address (Hex)	Default (Hex)	DB7	DB6	DB5	DB4	DB3	DB2	DB1	DB0	Remark	
27	00	[15:8] bits of memory write start address									
Description	Memory read start address										
Register Address (Hex)	Default (Hex)	DB7	DB6	DB5	DB4	DB3	DB2	DB1	DB0	Remark	
28	00	[7:0] bits of memory write start address									
Description	Memory read start address										

Register Address (Hex)	Default (Hex)	DB7	DB6	DB5	DB4	DB3	DB2	DB1	DB0	Remark	
29	00	[7:1] Reversed									
Description	[0] Load output timing related setting (H sync., V sync. and DE) to take effect										
Register Address (Hex)	Default (Hex)	DB7	DB6	DB5	DB4	DB3	DB2	DB1	DB0	Remark	
0x2A	00	X	TestPatternRout[6:0]								
Description	When " REG[0x10]_out_test[6]" : Self test =1 ; The Rout data equal to TestPatternRout[6:0]										
Register Address (Hex)	Default (Hex)	DB7	DB6	DB5	DB4	DB3	DB2	DB1	DB0	Remark	
0x2B	00	X	TestPatternGout[6:0]								
Description	When " REG[0x10]_out_test[6]" : Self test =1 ; The Gout data equal to TestPatternGout[6:0]										
Register Address (Hex)	Default (Hex)	DB7	DB6	DB5	DB4	DB3	DB2	DB1	DB0	Remark	
0x2C	00	X	TestPatternBout[6:0]								
Description	When " REG[0x10]_out_test[6]" : Self test =1 ; The Bout data equal to TestPatternBout[6:0]										

If you set the " REG[0x10]\_out\_test[6]" : Self test =1 , the TFT controller will skip the connect of the display RAM. The Output port will send the REG[2A] ,REG[2B],REG[2C] data.

REG[2A]=0x3F  
REG[2B]=0x00  
REG[2C]=0x00

REG[2A]=0x00  
REG[2B]=0x3F  
REG[2C]=0x00

REG[2A]=0x00  
REG[2B]=0x00  
REG[2C]=0x3F

Register Address (Hex)	Default (Hex)	DB7	DB6	DB5	DB4	DB3	DB2	DB1	DB0	Remark	
0x2D	00	X	X	X	X	[3]	Rising/falling edge[2]	_rotate [1:0]			
Description	[3] Output pin X_DCON level control ; TFT Power ON/OFF control 0: TFT POWER circuit OFF 1: TFT POWER circuit ON										
	Rising/falling edge[2] : 0: The RGB out put data are on the Rising edge of the DCLK. 1: The RGB out put data are on the Falling edge of the DCLK.										
	_rotate [1:0]: 00 : rotate 0 degree 01 : rotate90 degree 10 : rotate 270 degree 11 : rotate 180 degree										
Register Address (Hex)	Default (Hex)	DB7	DB6	DB5	DB4	DB3	DB2	DB1	DB0	Remark	
30	00	X	X	X	X	X	_H byte H-Offset[3:0]				
Description	Set the Horizontal offset										
Register Address (Hex)	Default (Hex)	DB7	DB6	DB5	DB4	DB3	DB2	DB1	DB0	Remark	
31	00	_L byte H-Offset[7:0]									
Description	Set the Horizontal offset										
Register Address (Hex)	Default (Hex)	DB7	DB6	DB5	DB4	DB3	DB2	DB1	DB0	Remark	
32	00	X	X	X	X	X	_H byte V-Offset[3:0]				
Description	Set the Vertical offset										
Register Address (Hex)	Default (Hex)	DB7	DB6	DB5	DB4	DB3	DB2	DB1	DB0	Remark	
33	00	_L byte V-Offset[7:0]									
Description	Set the Vertical offset										

Register Address (Hex)	Default (Hex)	DB7	DB6	DB5	DB4	DB3	DB2	DB1	DB0	Remark	
34	00	[7:4] Reserved					_H byte H-def[3:0]				
Description	[3:0] MSB of image horizontal physical resolution in memory										

Register Address (Hex)	Default (Hex)	DB7	DB6	DB5	DB4	DB3	DB2	DB1	DB0	Remark
35	40	_L byte H-def[7:0]								
Description	[7:0] LSB of image horizontal physical resolution in memory									
Register Address (Hex)	Default (Hex)	DB7	DB6	DB5	DB4	DB3	DB2	DB1	DB0	Remark
36	01	[7:4] Reserved					_H byte V-def[3:0]			
Description	[3:0] MSB of image vertical physical resolution in memory									
Register Address (Hex)	Default (Hex)	DB7	DB6	DB5	DB4	DB3	DB2	DB1	DB0	Remark
37	E0	_L byte V-def[7:0]								
Description	[7:0] LSB of image vertical physical resolution in memory									

The total RAM size is 640x240x18bit. The user can arrange the Horizontal ram size by REG[34],REG[35] and the Vertical ram size by REG[36],REG[37].

EX: 320x480x18bit REG[34]=0x01 , REG[35]=0x40 , REG[36]=0x01 , REG[37]=0xE0

EX: 640x240x18bit. REG[34]=0x02 , REG[35]=0x80 , REG[36]=0x00 , REG[37]=0xF0

## 10 Application Note:

```
void main(void)
```

```
{
  Initial_AMP506 ( );
  Full_386SCR(0xf800);
  Full_386SCR(0x07e0);
  Full_386SCR(0x001f);
}
```

```
void AMP506_80Mode_Command_SendAddress(BYTE Addr)
```

```
{
  SET_nRD;           // /RD=1
  CLR_RS;            // RS=0
  CLR_CS1;           // /CS=0
  CLR_nWRL;          // /WR=0
  DB16OUT(Addr);     // Data Bus OUT
  SET_nWRL;          // //WR=1 /
```

```

SET_RS;           // RS=1
SET_CS1;         // CS=1
}

```

```

void AMP506_80Mode_Command_SendData(BYTE Data)

```

```

{
    SET_nRD;
    SET_RS;
    CLR_CS1;
    CLR_nWRL;
    DB16OUT(Data);
    SET_nWRL;
    SET_RS;
    SET_CS1;
}

```

```

void AMP506_Command_Write(uint8 CMD_Address,uint8 CMD_Value)

```

```

{
    AMP506_80Mode_Command_SendAddress(CMD_Address);
    AMP506_80Mode_Command_SendData(CMD_Value);
}

```

```

void AMP506_80Mode_16Bit_Memory_SendData(uint16 Dat16bit)

```

```

{

    SET_nRD;
    SET_RS;
    CLR_CS1;
    CLR_nWRL;
    DB16OUT(Dat16bit);
    SET_nWRL;           // Low to High Latch Data to AMP506 Buffer
    SET_CS1;

}

```

```

void Initial_AMP506(void)

```

```

{

```

```

AMP506_Command_Write(0x40,0x12); /*[7:6] Reserved
                                [5] PLL control pins to select out frequency range
                                0: 20MHz ~ 100MHz 1: 100MHz ~ 300MHz
                                [4] Reserved [3] Reserved
                                [2:1] Output Driving Capability
                                00: 4mA 01: 8mA 10: 12mA 11: 16mA
                                [0] Output slew rate
                                0: Fast 1: Slow
                                */
AMP506_Command_Write(0x41,0x01); //Set PLL=40Mhz * (0x42) / (0x41)
AMP506_Command_Write(0x42,0x01); //0x41 [7:6] Reserved [5:0] PLL Programmable
                                pre-divider, 6bit(1~63)
                                //0x42 [7:6] Reserved [5:0] PLL Programmable loop
                                divider, 6bit(1~63)
AMP506_Command_Write(0x00,0x00); // MSB of horizontal start coordinate value
AMP506_Command_Write(0x01,0x00); // LSB of horizontal start coordinate value
AMP506_Command_Write(0x02,0x01); // MSB of horizontal end coordinate value
AMP506_Command_Write(0x03,0x3F); // LSB of horizontal end coordinate value
AMP506_Command_Write(0x04,0x00); // MSB of vertical start coordinate value
AMP506_Command_Write(0x05,0x00); // LSB of vertical start coordinate value
AMP506_Command_Write(0x06,0x01); // MSB of vertical end coordinate value
AMP506_Command_Write(0x07,0x3F); // LSB of vertical end coordinate value

AMP506_Command_Write(0x08,0x01); // MSB of input image horizontal resolution
AMP506_Command_Write(0x09,0x40); // LSB of input image horizontal resolution
AMP506_Command_Write(0x0a,0x00); //[17:16] bits of memory write start address
AMP506_Command_Write(0x0b,0x00); //[15:8] bits of memory write start address
AMP506_Command_Write(0x0c,0x00); //[7:0] bits of memory write start address

AMP506_Command_Write(0x10,0x0D); /*[7] Output data bits swap      0: Normal 1:Swap
                                [6] Output test mode enable 0: disable 1: enable
                                [5:4] Serial mode data out bus selection
                                00: X_ODATA17 ~ X_ODATA12 active , others are set to
zero
                                01: X_ODATA11 ~ X_ODATA06 active , others are set to
zero
                                10: X_ODATA05 ~ X_ODATA00 active , others are set to
zero
                                11: reserved

```

[3] Output data blanking

0: set output data to 0   **1: Normal display**

[2] Parallel or serial mode selection

0: serial data out       **1: parallel data output**

[1:0] Output clock selection

00: system clock divided by 2

**01: system clock divided by 4**

10: system clock divided by 8

11: reserved \*/

AMP506\_Command\_Write(0x11,0x05);

/\*[7] Reserved

[6:4] Even line of serial panel data out sequence or data bus order of parallel panel

000: RGB   001: RBG   010: GRB   011: GBR   100: BRG   101: BGR   Others:

reserved

[3] Reversed

[2:0] Odd line of serial panel data out sequence

000: RGB   001: RBG   010: GRB   011: GBR   100: BRG   **101: BGR**   Others:

reserved \*/

AMP506\_Command\_Write(0x12,0x00);   // [3:0] MSB of output H sync. pulse start

position

AMP506\_Command\_Write(0x13,0x00);   //[7:0] LSB of output H sync. pulse start position

AMP506\_Command\_Write(0x14,0x00);   // [3:0] MSB of output H sync. pulse width

AMP506\_Command\_Write(0x15,0x10);       //[7:0] LSB of output H sync. pulse width

AMP506\_Command\_Write(0x16,0x00);       //[3:0] MSB of output DE horizontal start

position

AMP506\_Command\_Write(0x17,0x38);       //[7:0] LSB of output DE horizontal start

position

AMP506\_Command\_Write(0x18,0x01);   //[3:0] MSB of output DE horizontal active region in pixel

AMP506\_Command\_Write(0x19,0x40);   //[7:0] LSB of output DE horizontal active region in pixel

AMP506\_Command\_Write(0x1a,0x01);   //[7:4] Reserved [3:0] MSB of output H total in pixel

AMP506\_Command\_Write(0x1b,0xb8);   //[7:0] LSB of output H total in pixel

AMP506\_Command\_Write(0x1c,0x00);   //[3:0] MSB of output V sync. pulse start

position

AMP506\_Command\_Write(0x1d,0x00);   //[7:0] of output V sync. pulse start position



```

AMP506_Command_Write(0x1e,0x00); // [7:4] Reserved [3:0] MSB of output V sync.
pulse width
AMP506_Command_Write(0x1f,0x08); // [7:0] LSB of output V sync. pulse width
AMP506_Command_Write(0x20,0x00); // [3:0] MSB of output DE vertical start position
AMP506_Command_Write(0x21,0x12); // [7:0] LSB of output DE vertical start position
AMP506_Command_Write(0x22,0x00); // [3:0] MSB of output DE vertical active region
in line
AMP506_Command_Write(0x23,0xf0); // [7:0] LSB of output DE vertical active region
in line
AMP506_Command_Write(0x24,0x01); // [7:4] Reversed [3:0] MSB of output V total in
line
AMP506_Command_Write(0x25,0x09); // [7:0] LSB of output V total in line
AMP506_Command_Write(0x26,0x00); // [17:16] bits of memory read start address
AMP506_Command_Write(0x27,0x00); // [7:0] [15:8] bits of memory read start address
AMP506_Command_Write(0x28,0x00); // [7:0] [7:0] bits of memory read start address
AMP506_Command_Write(0x29,0x01);
// [7:1] Reversed [0] Load output timing related setting (H sync., V sync. and DE) to take effect
AMP506_Command_Write(0x2d,0x08); /* [7:4] Reserved
[3] Output pin X_DCON level control
[2] Output clock inversion 0: Normal 1: Inverse
[1:0] Image rotate
00: 0° 01: 90° 10: 270° 11: 180°
*/
AMP506_Command_Write(0x30,0x00); // [7:4] Reserved [3:0] MSB of image horizontal shift
value
AMP506_Command_Write(0x31,0x00); // [7:0] LSB of image horizontal shift value
AMP506_Command_Write(0x32,0x00); // [7:4] Reserved [3:0] MSB of image vertical shift
value
AMP506_Command_Write(0x33,0x00); // [7:0] LSB of image vertical shift value
AMP506_Command_Write(0x34,0x01);
// [3:0] MSB of image horizontal physical Resolution in memory
AMP506_Command_Write(0x35,0x40);
// [7:0] LSB of image horizontal physical resolution in memory

AMP506_Command_Write(0x36,0x01);
// [7:4] Reserved [3:0] MSB of image vertical physical resolution in memory
AMP506_Command_Write(0x37,0xe0);
// [7:0] LSB of image vertical physical resolution in memory
}

```

```

void AMP506_WindowSet(uint16 S_X,uint16 S_Y,uint16 E_X,uint16 E_Y)
{
    AMP506_80Mode_Command_SendAddress(0x00);
    AMP506_80Mode_Command_SendData((S_X)>>8);
    AMP506_80Mode_Command_SendData(S_X);
    AMP506_80Mode_Command_SendData((E_X-1)>>8);
    AMP506_80Mode_Command_SendData(E_X-1);
    AMP506_80Mode_Command_SendData(S_Y>>8);
    AMP506_80Mode_Command_SendData(S_Y);
    AMP506_80Mode_Command_SendData((E_Y-1)>>8);
    AMP506_80Mode_Command_SendData(E_Y-1);
}

void Full_386SCR(uint16 Dat16bit)
{
    int32 k,l;
    AMP506_WindowSet(0,0,Resolution_X,Resolution_Y);
    AMP506_80Mode_Command_SendAddress(0xc1); // _DisplayRAM_WriteEnable_
    for(k=0;k<240*2;k++)
    {
        for(l=0;l<320;l++)
        {
            AMP506_80Mode_16Bit_Memory_SendData(Dat16bit);
        }
    }
    AMP506_80Mode_Command_SendAddress(0x80); // DisplayRAM_WriteDisable _
}

```

The TFT LCD controller default value is for AM320240N1 already. So we can start to write our data in a few steps:

Target: To write a 640x240 data to Display RAM and scroll the display data by change the Horizontal offset register.

10.1 Step 1: Make sure the interface Protocol.

10.2 Step 2: Define the Horizontal ram seize = 640 and Vertical ram size =240

640x240x18bit. REG[34]=0x02 , REG[35]=0x80 , REG[36]=0x00 ,  
REG[37]=0xF0

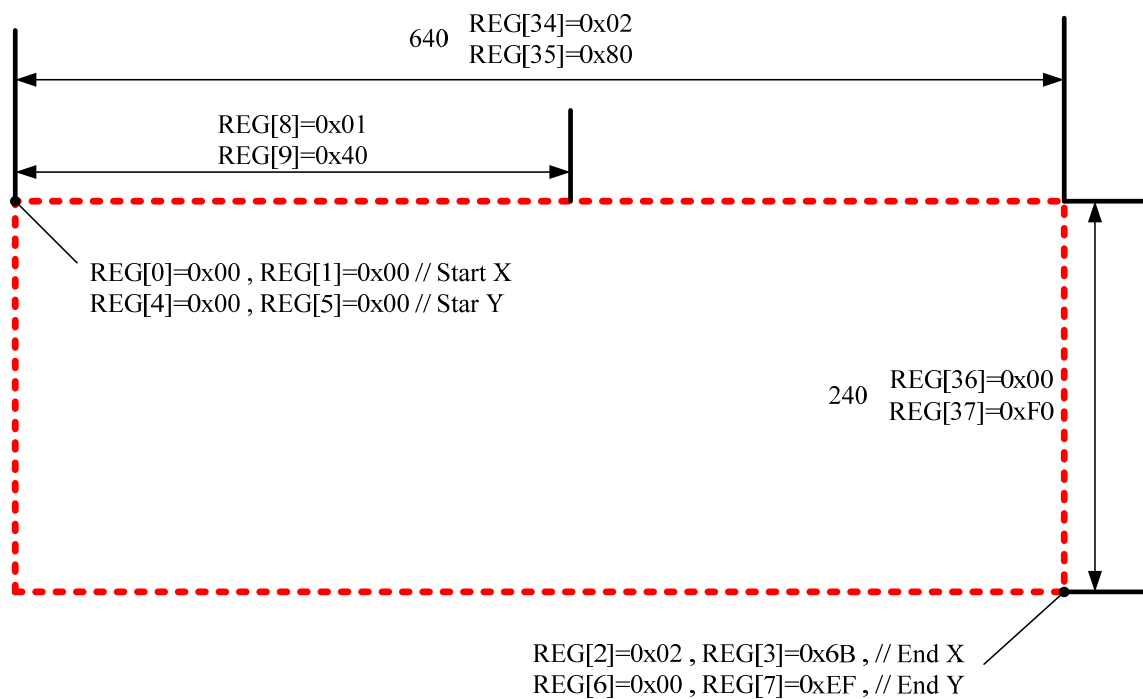
10.3 Step 3: Define the Panel X Size = 320

REG[8]=0x01 , REG[9]=0x40

10.4 Step4: Define the Write window. Start=(0,0) End=(619,239)

REG[0]=0x00 , REG[1]=0x00 , REG[2]=0x02 , REG[3]=0x6B , // Start X , End X

REG[4]=0x00 , REG[5]=0x00 , REG[6]=0x00 , REG[7]=0xEF , // Star Y ,End Y



10.5 Step5: Write the 640x240x18 bit data consecutively



10.6 Step6: The display will show the following image.



10.7 Step7: Change the Horizontal offset to switch or scroll the display data.

Set the Horizontal offset = 160 , REG[30]=00 REG[31]=A0 . You will see



Step8: Change the Horizontal offset to switch or scroll the display data.

Set the Horizontal offset = 320 , REG[30]=01 REG[31]=40 . You will see



### DISPLAYED COLOR AND INPUT DATA

	Color & Gray Scale	DATA SIGNAL																	
		R5	R4	R3	R2	R1	R0	G5	G4	G3	G2	G1	G0	B5	B4	B3	B2	B1	B0
Basic Color	Black	0	0	0	0	0	0	0	0	0	0	0	0	0	0	0	0	0	0
	Red(0)	1	1	1	1	1	1	0	0	0	0	0	0	0	0	0	0	0	0
	Green(0)	0	0	0	0	0	0	1	1	1	1	1	1	0	0	0	0	0	0
	Blue(0)	0	0	0	0	0	0	0	0	0	0	0	0	1	1	1	1	1	1
	Cyan	0	0	0	0	0	0	1	1	1	1	1	1	1	1	1	1	1	1
	Magenta	1	1	1	1	1	1	0	0	0	0	0	0	1	1	1	1	1	1
	White	1	1	1	1	1	1	1	1	1	1	1	1	1	1	1	1	1	1
Red	Black	0	0	0	0	0	0	0	0	0	0	0	0	0	0	0	0	0	0
	Red(62)	0	0	0	0	0	1	0	0	0	0	0	0	0	0	0	0	0	0
	Red(61)	0	0	0	0	1	0	0	0	0	0	0	0	0	0	0	0	0	0
	:	:	:	:	:	:	:	:	:	:	:	:	:	:	:	:	:	:	:
	Red(31)	0	1	1	1	1	1	0	0	0	0	0	0	0	0	0	0	0	0
Green	Black	0	0	0	0	0	0	0	0	0	0	0	0	0	0	0	0	0	0
	Green(62)	0	0	0	0	0	0	0	0	0	0	0	1	0	0	0	0	0	0
	Green(61)	0	0	0	0	0	0	0	0	0	0	1	0	0	0	0	0	0	0
	:	:	:	:	:	:	:	:	:	:	:	:	:	:	:	:	:	:	:
	Green(31)	0	0	0	0	0	0	0	1	1	1	1	0	0	0	0	0	0	0
Blue	Black	0	0	0	0	0	0	0	0	0	0	0	0	0	0	0	0	0	0
	Blue(62)	0	0	0	0	0	0	0	0	0	0	0	0	0	0	0	0	0	1
	Blue(61)	0	0	0	0	0	0	0	0	0	0	0	0	0	0	0	0	1	0
	:	:	:	:	:	:	:	:	:	:	:	:	:	:	:	:	:	:	:
	Blue(31)	0	0	0	0	0	0	0	0	0	0	0	0	0	1	1	1	1	1
Blue	Black	0	0	0	0	0	0	0	0	0	0	0	0	0	0	0	0	0	0
	Blue(1)	0	0	0	0	0	0	0	0	0	0	0	1	1	1	1	1	1	0
	Blue(0)	0	0	0	0	0	0	0	0	0	0	0	1	1	1	1	1	1	1

# 11 QUALITY AND RELIABILITY

## 11.1 TEST CONDITIONS

Tests should be conducted under the following conditions :

Ambient temperature :  $25 \pm 5^{\circ}\text{C}$

Humidity :  $60 \pm 25\% \text{ RH}$ .

## 11.2 SAMPLING PLAN

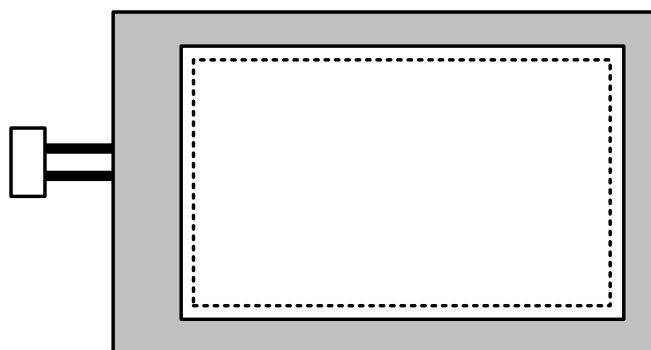
Sampling method shall be in accordance with MIL-STD-105E , level II, normal single sampling plan .


## 11.3 ACCEPTABLE QUALITY LEVEL

A major defect is defined as one that could cause failure to or materially reduce the usability of the unit for its intended purpose. A minor defect is one that does not materially reduce the usability of the unit for its intended purpose or is an infringement from established standards and has no significant bearing on its effective use or operation.

## 11.4 APPEARANCE

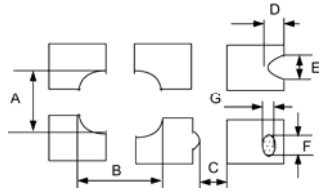
An appearance test should be conducted by human sight at approximately 30 cm distance from the LCD module under fluorescent light. The inspection area of LCD panel shall be within the range of following limits.

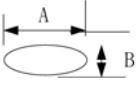


 Zone A ( Active Area)

 Zone B ( Viewing Area)

## 11.5 INSPECTION QUALITY CRITERIA

No.	Item	Criterion for defects	Defect type															
1	Non display	No non display is allowed	Major															
2	Irregular operation	No irregular operation is allowed	Major															
3	Short	No short are allowed	Major															
4	Open	Any segments or common patterns that don't activate are rejectable.	Major															
5	Black/White spot (I)	<table border="1" style="width: 100%; border-collapse: collapse;"> <thead> <tr> <th style="text-align: center;">Size D (mm)</th> <th style="text-align: center;">Acceptable number</th> </tr> </thead> <tbody> <tr> <td style="text-align: center;"><math>D \leq 0.15</math></td> <td style="text-align: center;">Ignore</td> </tr> <tr> <td style="text-align: center;"><math>0.15 &lt; D \leq 0.20</math></td> <td style="text-align: center;">3</td> </tr> <tr> <td style="text-align: center;"><math>0.20 &lt; D \leq 0.30</math></td> <td style="text-align: center;">2</td> </tr> <tr> <td style="text-align: center;"><math>0.30 &lt; D</math></td> <td style="text-align: center;">0</td> </tr> </tbody> </table>	Size D (mm)	Acceptable number	$D \leq 0.15$	Ignore	$0.15 < D \leq 0.20$	3	$0.20 < D \leq 0.30$	2	$0.30 < D$	0	Minor					
Size D (mm)	Acceptable number																	
$D \leq 0.15$	Ignore																	
$0.15 < D \leq 0.20$	3																	
$0.20 < D \leq 0.30$	2																	
$0.30 < D$	0																	
6	Black/White line (I)	<table border="1" style="width: 100%; border-collapse: collapse;"> <thead> <tr> <th style="text-align: center;">Length(mm)</th> <th style="text-align: center;"></th> <th style="text-align: center;">Acceptable number</th> </tr> </thead> <tbody> <tr> <td style="text-align: center;"><math>10 &lt; L</math></td> <td style="text-align: center;"><math>0.03 &lt; W \leq 0.04</math></td> <td style="text-align: center;">5</td> </tr> <tr> <td style="text-align: center;"><math>5.0 &lt; L \leq 10</math></td> <td style="text-align: center;"><math>0.04 &lt; W \leq 0.06</math></td> <td style="text-align: center;">3</td> </tr> <tr> <td style="text-align: center;"><math>1.0 &lt; L \leq 5.0</math></td> <td style="text-align: center;"><math>0.06 &lt; W \leq 0.07</math></td> <td style="text-align: center;">2</td> </tr> <tr> <td style="text-align: center;"><math>L \leq 1.0</math></td> <td style="text-align: center;"><math>0.07 &lt; W \leq 0.09</math></td> <td style="text-align: center;">1</td> </tr> </tbody> </table>	Length(mm)		Acceptable number	$10 < L$	$0.03 < W \leq 0.04$	5	$5.0 < L \leq 10$	$0.04 < W \leq 0.06$	3	$1.0 < L \leq 5.0$	$0.06 < W \leq 0.07$	2	$L \leq 1.0$	$0.07 < W \leq 0.09$	1	Minor
Length(mm)		Acceptable number																
$10 < L$	$0.03 < W \leq 0.04$	5																
$5.0 < L \leq 10$	$0.04 < W \leq 0.06$	3																
$1.0 < L \leq 5.0$	$0.06 < W \leq 0.07$	2																
$L \leq 1.0$	$0.07 < W \leq 0.09$	1																
7	Black/White sport (II)	<table border="1" style="width: 100%; border-collapse: collapse;"> <thead> <tr> <th style="text-align: center;">Size D (mm)</th> <th style="text-align: center;">Acceptable number</th> </tr> </thead> <tbody> <tr> <td style="text-align: center;"><math>D \leq 0.30</math></td> <td style="text-align: center;">Ignore</td> </tr> <tr> <td style="text-align: center;"><math>0.30 &lt; D \leq 0.50</math></td> <td style="text-align: center;">5</td> </tr> <tr> <td style="text-align: center;"><math>0.50 &lt; D \leq 1.20</math></td> <td style="text-align: center;">3</td> </tr> <tr> <td style="text-align: center;"><math>1.20 &lt; D</math></td> <td style="text-align: center;">0</td> </tr> </tbody> </table>	Size D (mm)	Acceptable number	$D \leq 0.30$	Ignore	$0.30 < D \leq 0.50$	5	$0.50 < D \leq 1.20$	3	$1.20 < D$	0	Minor					
Size D (mm)	Acceptable number																	
$D \leq 0.30$	Ignore																	
$0.30 < D \leq 0.50$	5																	
$0.50 < D \leq 1.20$	3																	
$1.20 < D$	0																	
8	Black/White line (II)	<table border="1" style="width: 100%; border-collapse: collapse;"> <thead> <tr> <th style="text-align: center;">Length (mm)</th> <th style="text-align: center;">Width (mm)</th> <th style="text-align: center;">Acceptable number</th> </tr> </thead> <tbody> <tr> <td style="text-align: center;"><math>20 &lt; L</math></td> <td style="text-align: center;"><math>0.05 &lt; W \leq 0.07</math></td> <td style="text-align: center;">5</td> </tr> <tr> <td style="text-align: center;"><math>10 &lt; L \leq 20</math></td> <td style="text-align: center;"><math>0.07 &lt; W \leq 0.09</math></td> <td style="text-align: center;">3</td> </tr> <tr> <td style="text-align: center;"><math>5.0 &lt; L \leq 10</math></td> <td style="text-align: center;"><math>0.09 &lt; W \leq 0.10</math></td> <td style="text-align: center;">2</td> </tr> <tr> <td style="text-align: center;"><math>L \leq 5.0</math></td> <td style="text-align: center;"><math>0.10 &lt; W \leq 0.15</math></td> <td style="text-align: center;">1</td> </tr> </tbody> </table>	Length (mm)	Width (mm)	Acceptable number	$20 < L$	$0.05 < W \leq 0.07$	5	$10 < L \leq 20$	$0.07 < W \leq 0.09$	3	$5.0 < L \leq 10$	$0.09 < W \leq 0.10$	2	$L \leq 5.0$	$0.10 < W \leq 0.15$	1	Minor
Length (mm)	Width (mm)	Acceptable number																
$20 < L$	$0.05 < W \leq 0.07$	5																
$10 < L \leq 20$	$0.07 < W \leq 0.09$	3																
$5.0 < L \leq 10$	$0.09 < W \leq 0.10$	2																
$L \leq 5.0$	$0.10 < W \leq 0.15$	1																
9	Back Light	1. No Lighting is rejectable 2. Flickering and abnormal lighting are rejectable	Major															
10	Display pattern	<div style="text-align: center;">  <p style="text-align: center;">Unit:mm</p> <table border="1" style="width: 100%; border-collapse: collapse;"> <tbody> <tr> <td style="text-align: center;"><math>\frac{A+B}{2} \leq 0.30</math></td> <td style="text-align: center;"><math>0 &lt; C</math></td> <td style="text-align: center;"><math>\frac{D+E}{2} \leq 0.25</math></td> <td style="text-align: center;"><math>\frac{F+G}{2} \leq 0.25</math></td> </tr> </tbody> </table> <p style="text-align: center;">Note: 1. Acceptable up to 3 damages 2. NG if there're to two or more pinholes per dot</p> </div>	$\frac{A+B}{2} \leq 0.30$	$0 < C$	$\frac{D+E}{2} \leq 0.25$	$\frac{F+G}{2} \leq 0.25$	Minor											
$\frac{A+B}{2} \leq 0.30$	$0 < C$	$\frac{D+E}{2} \leq 0.25$	$\frac{F+G}{2} \leq 0.25$															

11	Blemish & Foreign matters  Size: $D = \frac{A+B}{2}$	Size D (mm)		Acceptable number	Minor
		$D \leq 0.15$	Ignore		
		$0.15 < D \leq 0.20$	3		
		$0.20 < D \leq 0.30$	2		
		$0.30 < D$	0		
12	Scratch on Polarizer  	Width (mm)	Length (mm)	Acceptable number	Minor
		$W \leq 0.03$	Ignore	Ignore	
		$0.03 < W \leq 0.05$	$L \leq 2.0$	Ignore	
			$L > 2.0$	1	
		$0.05 < W \leq 0.08$	$L > 1.0$	1	
			$L \leq 1.0$	Ignore	
		$0.08 < W$	Note (1)	Note(1)	
		Note(1) Regard as a blemish			
13	Bubble in polarizer	Size D (mm)		Acceptable number	Minor
		$D \leq 0.20$	Ignore		
		$0.20 < D \leq 0.50$	3		
		$0.50 < D \leq 0.80$	2		
		$0.80 < D$	0		
14	Stains on LCD panel surface	Stains that cannot be removed even when wiped lightly with a soft cloth or similar cleaning tool are rejectable.			Minor
15	Rust in Bezel	Rust which is visible in the bezel is rejectable.			Minor
16	Defect of land surface contact (poor soldering)	Evident crevices which is visible are rejectable.			Minor
17	Parts mounting	1. Failure to mount parts 2. Parts not in the specifications are mounted 3. Polarity, for example, is reversed			Major Major Major
18	Parts alignment	1. LSI, IC lead width is more than 50% beyond pad outline.			Minor
		2. Chip component is off center and more than 50% of the leads is off the pad outline.			Minor
19	Conductive foreign matter (Solder ball, Solder chips)	1. $0.45 < \varphi$ , $N \geq 1$			Major
		2. $0.30 < \varphi \leq 0.45$ , $N \geq 1$ $\varphi$ : Average diameter of solder ball (unit: mm)			Minor
		3. $0.50 < L$ , $N \geq 1$ L: Average length of solder chip (unit: mm)			Minor
20	Faulty PCB correction	1. Due to PCB copper foil pattern burnout, the pattern is connected, using a jumper wire for repair; 2 or more places are corrected per PCB.			Minor
		2. Short circuited part is cut, and no resist coating has been performed.			Minor



21	Defect Dot	The TFT panel may have bright dot or Dark dot. The acceptable number defection:				Minor
		Bright dot	Dark dot	Total dot	Distance between Dark-- dark	
		2	3	4	$L \geq 5$ mm	

## 12 Reliability test items (Note2):

No.	Test items	Conditions	Remark
1	High temperature storage	Ta=80°C 240Hrs	
2	Low temperature storage	Ta=-30°C 240Hrs	
3	High temperature operation	Ta=70°C 240Hrs	
4	Low temperature operation	Ta=-20°C 240Hrs	
5	High temperature and high humidity	Ta=40°C,85% RH 240Hrs	Operation
6	Heat shock	-30°C~80°C/200 cycles 1Hrs/cycle	Non-operation
7	Electrostatic discharge	±200V,200Pf(0Ω),once for each terminal	Non-operation
8	Vibration	Frequency range :8~33.3Hz Stoke :1.3mm Sweep :2.9G,33.3~400Hz Cycle :15 minutes 2 hours for each direction of X,Z 4 hours for Y direction	JIS C7021, A-10 Condition A
9	Mechanical shock	100G, 6ms,±X, ±Y,±Z 3 times for each direction	JIS C7021, A-7 Condition C
10	Vibration (With carton)	Random vibration: 0.015G <sup>2</sup> /Hz from 5~200Hz -6dB/octave from 200~500Hz	IEC 68~34
11	Drop (with carton)	Height:60cm 1 corner,3 edges,6 surfaces	JIS Z0202

## **13 USE PRECAUTIONS**

### **13.1 Handling precautions**

- 1) The polarizing plate may break easily so be careful when handling it. Do not touch, press or rub it with a hard-material tool like tweezers.
- 2) Do not touch the polarizing plate surface with bare hands so as not to make it dirty. If the surface or other related part of the polarizing plate is dirty, soak a soft cotton cloth or chamois leather in benzine and wipe off with it. Do not use chemical liquids such as acetone, toluene and isopropyl alcohol. Failure to do so may bring chemical reaction phenomena and deteriorations.
- 3) Remove any spit or water immediately. If it is left for hours, the suffered part may deform or decolorize.
- 4) If the LCD element breaks and any LC stuff leaks, do not suck or lick it. Also if LC stuff is stuck on your skin or clothing, wash thoroughly with soap and water immediately.

### **13.2 Installing precautions**

- 1) The PCB has many ICs that may be damaged easily by static electricity. To prevent breaking by static electricity from the human body and clothing, earth the human body properly using the high resistance and discharge static electricity during the operation. In this case, however, the resistance value should be approx.  $1M\Omega$  and the resistance should be placed near the human body rather than the ground surface. When the indoor space is dry, static electricity may occur easily so be careful. We recommend the indoor space should be kept with humidity of 60% or more. When a soldering iron or other similar tool is used for assembly, be sure to earth it.
- 2) When installing the module and ICs, do not bend or twist them. Failure to do so may crack LC element and cause circuit failure.
- 3) To protect LC element, especially polarizing plate, use a transparent protective plate (e.g., acrylic plate, glass etc) for the product case.
- 4) Do not use an adhesive like a both-side adhesive tape to make LCD surface (polarizing plate) and product case stick together. Failure to do so may cause the polarizing plate to peel off.

### **13.3 Storage precautions**

- 1) Avoid a high temperature and humidity area. Keep the temperature between  $0^{\circ}\text{C}$  and  $35^{\circ}\text{C}$  and also the humidity under 60%.

- 2) Choose the dark spaces where the product is not exposed to direct sunlight or fluorescent light.
- 3) Store the products as they are put in the boxes provided from us or in the same conditions as we recommend.

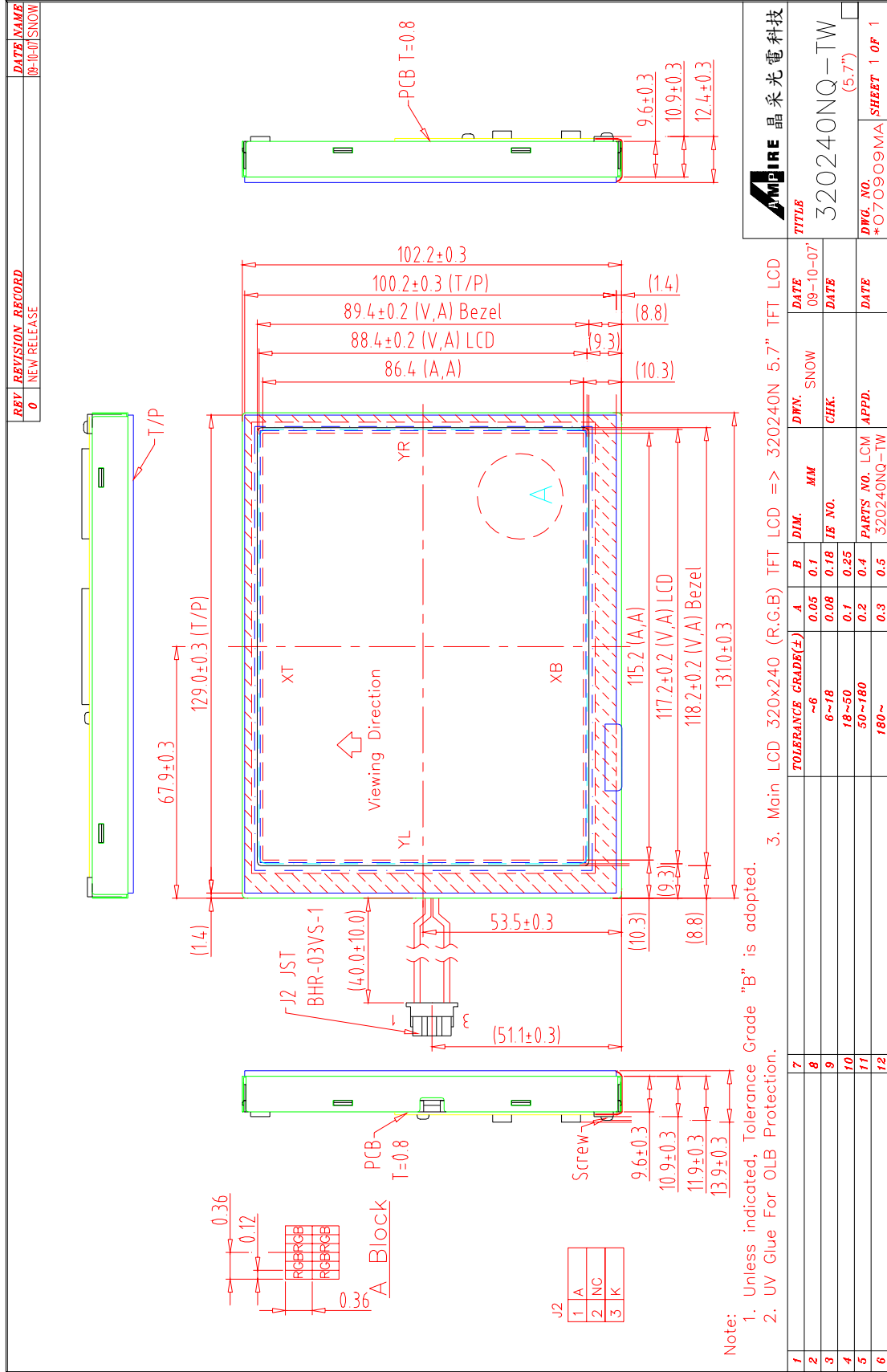
#### **13.4 Operating precautions**

- 1) Do not boost the applied drive voltage abnormally. Failure to do so may break ICs. When applying power voltage, check the electrical features beforehand and be careful. Always turn off the power to the LC module controller before removing or inserting the LC module input connector. If the input connector is removed or inserted while the power is turned on, the LC module internal circuit may break.
- 2) The display response may be late if the operating temperature is under the normal standard, and the display may be out of order if it is above the normal standard. But this is not a failure; this will be restored if it is within the normal standard.
- 3) The LCD contrast varies depending on the visual angle, ambient temperature, power voltage etc. Obtain the optimum contrast by adjusting the LC drive voltage.
- 4) When carrying out the test, do not take the module out of the low-temperature space suddenly. Failure to do so will cause the module condensing, leading to malfunctions.
- 5) Make certain that each signal noise level is within the standard (L level: 0.2V<sub>dd</sub> or less and H level: 0.8V<sub>dd</sub> or more) even if the module has functioned properly. If it is beyond the standard, the module may often malfunction. In addition, always connect the module when making noise level measurements.
- 6) The CMOS ICs are incorporated in the module and the pull-up and pull-down function is not adopted for the input so avoid putting the input signal open while the power is ON.
- 7) The characteristic of the semiconductor element changes when it is exposed to light emissions, therefore ICs on the LCD may malfunction if they receive light emissions. To prevent these malfunctions, design and assemble ICs so that they are shielded from light emissions.
- 8) Crosstalk occurs because of characteristics of the LCD. In general, crosstalk occurs when the regularized display is maintained. Also, crosstalk is affected by the LC drive voltage. Design the contents of the display, considering crosstalk.

### **13.5 Other**

- 1) Do not disassemble or take the LC module into pieces. The LC modules once disassembled or taken into pieces are not the guarantee articles.
- 2) The residual image may exist if the same display pattern is shown for hours. This residual image, however, disappears when another display pattern is shown or the drive is interrupted and left for a while. But this is not a problem on reliability.
- 3) AMIPRE will provide one year warranty for all products and three months warrantee for all repairing products.

# 14 OUTLINE DIMENSION



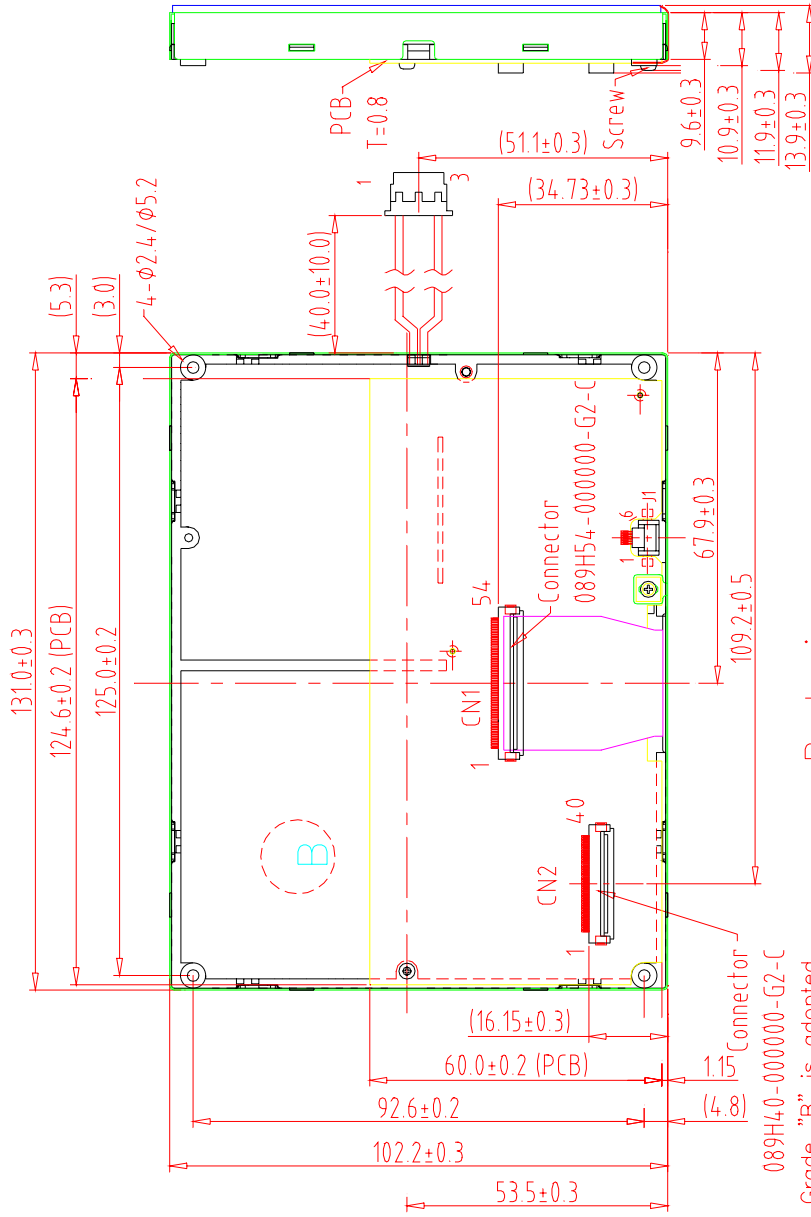
REV	REVISION RECORD	DATE	NAME
0	NEW RELEASE	09-10-07	SNOW

材質: 鋁鎂合金



B Block

CN2	1	2	3	4	5	6	7	8	9	10	11	12	13	14	15	16	17	18	19	20																				
	DGND	DB11	DGND	DB12	NC	DB13	NC	DB14	/RESET	DB15	RS	DB16	/CS	DB17	WR	65K/262K	/RD	DGND	DB0	SK/X1	DB1	DO/X2	DB2	DI/Y1	DB3	TPCS/Y2	DB4	IRQ	DB5	VDD	DB6	VDD	DB7	VDD	DB8	DGND	DB9	DGND	DB10	DGND



Note: 089H40-000000-G2-C

1. Unless indicated, Tolerance Grade "B" is adopted.
2. UV Glue For OLB Protection.
3. Main LCD 320x240 (R.G.B) TFT LCD => 320240N 5.7" TFT LCD

Back view

		TOLERANCE GRADE(±)		DIM.		DWN.		DATE	
1	7	~6	A	B	MM	SNOW	DATE	TITLE	
2	8	6~18	0.05	0.1		CHK.	09-10-07	AMPIRE 晶采光電科技	
3	9	18~50	0.08	0.18	IE NO.			320240NQ-TW	
4	10	50~180	0.1	0.25	PARTS NO. LOM-1	APPD.		(5.7")	
5	11	180~	0.2	0.4	320240NQ-TW			DWG. NO.	
6	12		0.3	0.5				*070910MA SHEET 1 OF 1	