



晶采光電科技股份有限公司
AMPIRE CO., LTD.

SPECIFICATIONS FOR LCD MODULE

CUSTOMER	
CUSTOMER PART NO.	
AMPIRE PART NO.	AM-320240NSTNQW -TW9H
APPROVED BY	
DATE	

Approved For Specifications

Approved For Specifications & Sample

AMPIRE CO., LTD.

**2F., No.88, Sec. 1, Sintai 5th Rd., Sijhih City, Taipei County 221,
Taiwan (R.O.C.)台北縣汐止市新台五路一段88號2樓(東方科學園區D棟)**

TEL:886-2-26967269 , FAX:886-2-26967196 or 26967270

APPROVED BY	CHECKED BY	ORGANIZED BY

RECORD OF REVISION

Revision Date	Page	Contents	Editor
2009/7/3	--	New Release	Edward

1 Features

5.7 inch Amorphous-TFT-LCD (Thin Film Transistor Liquid Crystal Display) module. This module is composed of a 5.7" TFT-LCD panel, LCD controller, power driver circuit and backlight unit.

1.1 TFT Panel Feature :

- (1) Construction: 5.7" a-Si color TFT-LCD, White LED Backlight and PCB.
- (2) Resolution (pixel): 320(R.G.B) X240
- (3) Number of the Colors : 262K colors (R , G , B 6 bit digital each)
- (4) LCD type : Transmissive Color TFT LCD (normally White)
- (5) Interface: 33 pin pitch 0.5 FFC
- (6) Power Supply Voltage: 3.3V single power input. Built-in power supply circuit.
- (7) Viewing Direction:12 O'clock (The direction it's hard to be discolored):

1.2 LCD Controller Feature:

- (1) MCU interface 8/9/16/18 bit 80&68 series MCU interface.
- (2) Display RAM size : 640x240x3x6 bits. Ex:320x240 two frame buffer with 262K colors.
- (3) Arbitrary display memory start position selection.
- (4) MCU interface : 16 bit 80 MPU interface.
- (5) 8 bit / 16 bit interface support 65K (R5G6B5) /262K(R6G6B6) colors data format.
- (6) 9 bit / 18 bit interface support 262K(R6G6B6) colors data format only.

2 Physical specifications

Item	Specifications	Unit	
Display resolution(dot)	960 (W) x 240(H)	Mm	
Active area	115.2 (W) x 86.4 (H)	Mm	
Screen size	5.7(Diagonal)	Mm	
Pixel size	120 (W) x 360 (H)	Um	
Color configuration	R.G.B stripe		
Overall dimension	144.0(W)x104.6(H)x14.57(D)	Mm	
Weight	T.B.D	Mg	
Backlight unit	LED		

3 Default Setting & Option

- Interface :

The user can select the MCU interface by change the Jumper & Resister Array.

Setting Interface Type	JP1	RA1	RA2	RA3	RA4	Remark
80-18Bit interface	1,2 short 2,3 open	2K ohm	OPEN	OPEN	OPEN	
80-16Bit interface	1,2 short 2,3 open	OPEN	2K ohm	OPEN	OPEN	Default
80-9Bit interface	1,2 short 2,3 open	OPEN	OPEN	2K ohm	OPEN	
80-8Bit interface	1,2 short 2,3 open	OPEN	OPEN	OPEN	2K ohm	
68-18Bit interface	1,2 open 2,3 short	2K ohm	OPEN	OPEN	OPEN	
68-16Bit interface	1,2 open 2,3 short	OPEN	2K ohm	OPEN	OPEN	
68-9Bit interface	1,2 open 2,3 short	OPEN	OPEN	2K ohm	OPEN	
68-8Bit interface	1,2 open 2,3 short	OPEN	OPEN	OPEN	2K ohm	

- Connector

33Pin Pin Header (Pitch 0.5 x 33 pin)		80/68 8/9/16/18 bit interface	Default
---	--	-------------------------------	---------

4 Electrical specification

4.1 Absolute max. ratings

4.1.1 Electrical Absolute max. ratings

Item	Symbol	Condition	Min.	Max.	Unit	Remark
Power voltage	VDD	VSS=0	-0.3	5.5	V	
Input voltege	V _{in}		-0.3	VDD+0.3	V	Note 1

Note1: /CS,/WR,/RD,RS,DB0~DB7

4.1.2 Environmental Absolute max. ratings

Item	OPERATING		STORAGE		Remark
	MIN	MAX	MIN	MAX	
Temperature	-20	70	-30	80	Note2,3,4,5,6,7
Humidity	Note1		Note1		
Corrosive Gas	Not Acceptable		Not Acceptable		

Note1 : $T_a \leq 40^\circ\text{C}$: 85% RH max

$T_a > 40^\circ\text{C}$: Absolute humidity must be lower than the humidity of 85%RH at 40°C

Note2 : For storage condition T_a at $-30^\circ\text{C} < 48\text{h}$, at $80^\circ\text{C} < 100\text{h}$

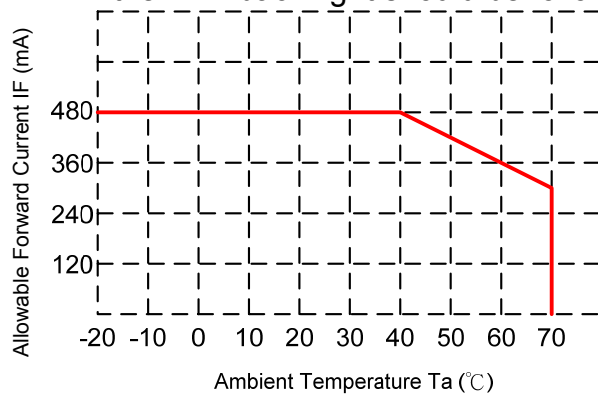
For operating condition T_a at $-20^\circ\text{C} < 100\text{h}$

Note3 : Background color changes slightly depending on ambient temperature. This phenomenon is reversible.

Note4 : The response time will be slower at low temperature.

Note5 : Only operation is guaranteed at operating temperature. Contrast , response time, another display quality are evaluated at $+25^\circ\text{C}$

Note6 : When LCM is operated over 40°C ambient temperature, the I_{LED} of the LED back-light should be follow :



Note7 : This is panel surface temperature, not ambient temperature.

Note8 : When LCM be operated over than 40°C , the life time of the LED back-light will be reduced.

4.1.3 LED back-light Unit Absolute max. ratings

Item	Symbol	Ratings	Unit	Remark
Peak forward Current	IF	540	mA	
Reverse Voltage	VR	11.4	V	
Power Dissipation	Po	6.2	W	

4.2 Electrical characteristics

4.2.1 DC Electrical characteristic of the LCD

Typical operating conditions (VSS=0V)

Item	Symbol	Min.	Typ.	Max.	Unit	Remark	
Power supply	VDD	3.1	5.0	5.2	V		
Input Voltage for logic	H Level	V_{IH}	2.0	-	5.5	V	Note 1
	L Level	V_{IL}	VSS	-	0.8	V	
Output Voltage for Logic	H Level	V_{OH}	2.4	-	VDD	V	Note 2
	L Level	V_{OL}	VSS		0.4	V	
Power Supply current	IDD	-	150	-	mA	Note 3	

Note1: With 5V Tolerance Input , /CS, /WR,/RD,RS,DB0~DB17

Note2: DB0~DB17

Note3: fV =60Hz , Ta=25°C , VDD=3.3V , DCLK=10MHz, PLL frequency=40MHz,

Display pattern : All Black

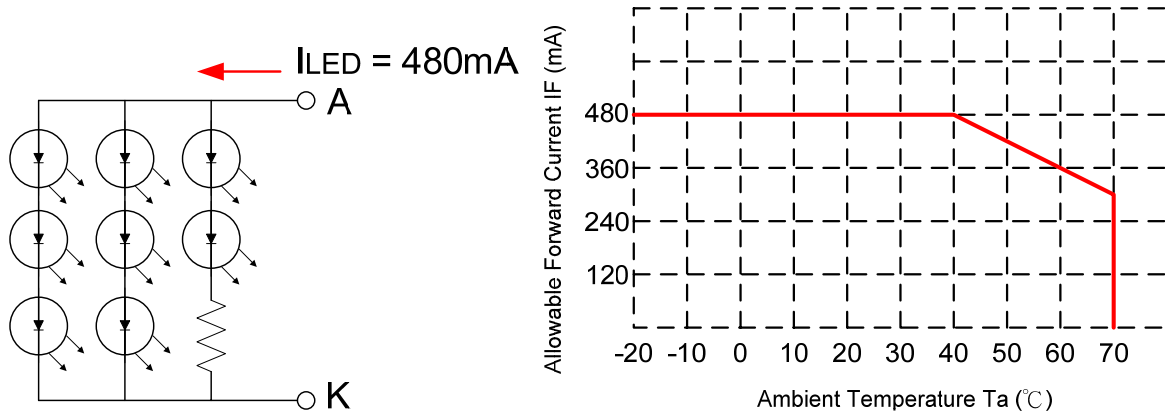
4.2.2 Electrical characteristic of LED Back-light

Parameter	Symbol	Min.	Typ.	Max.	Unit	Condition
LED voltage	V_{AK}	--	10.0	11.4	V	I_{LED} =140mA, Ta=25°C
LED forward current	I_{LED}	--	480	500	mA	Ta=25°C
	I_{LED}	--	305	330	mA	Ta=60°C

- The constant current source is needed for white LED back-light driving.

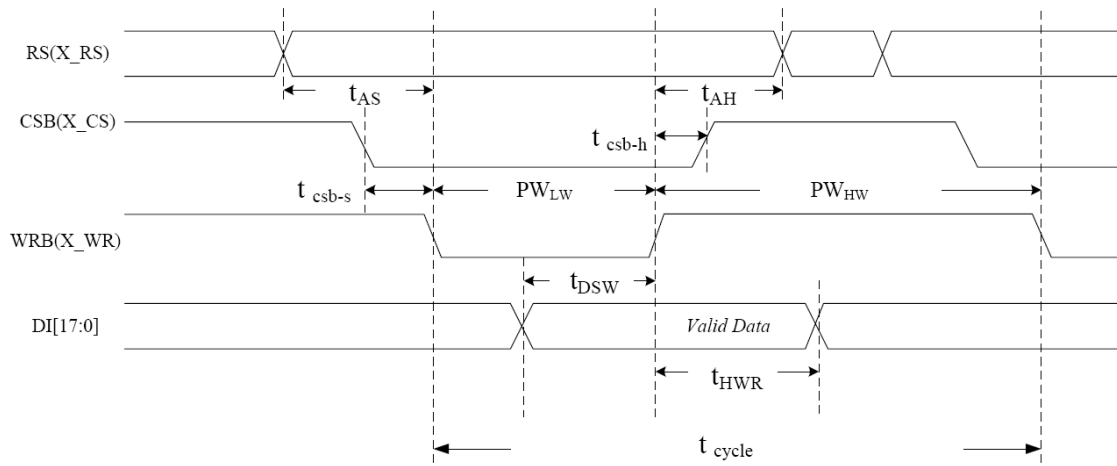
When LCM is operated over 60°C ambient temperature, the I_{LED} of the LED

back-light should be adjusted to 360mA max



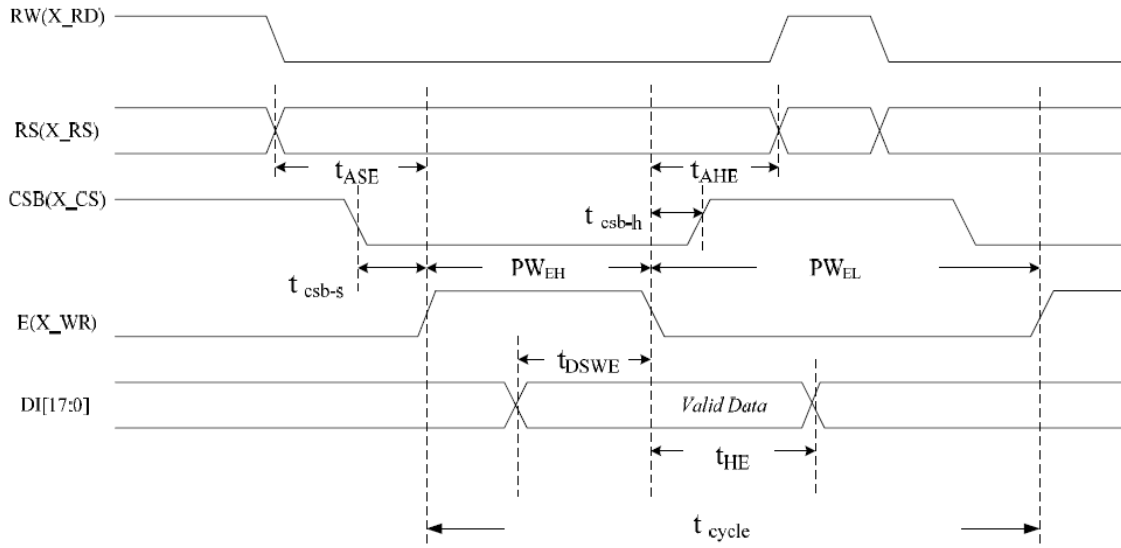
4.3 AC Timing characteristic of the Graphic TFT LCD controller

4.3.1 80 series Timing



Symbol	Parameter	Min	Typ	Max	Unit	Remark
t_{cycle}	Enable cycle time	100	200		ns	
PW_{HW}	Enable high-level pulse width	66	70		ns	
PW_{LW}	Enable low-level pulse width	33	130		ns	
t_{AS}	RS setup time	16	25		ns	
t_{AH}	RS hold time	16	45		ns	
t_{DSW}	Write data setup time	50	50		ns	
t_{HWR}	Write data hold time	50	40		ns	
t_{csb-s}	CSB setup time	16	20		ns	
t_{csb-h}	CSB hold time	16	30		ns	

4.3.2 68series Timing



Symbol	Parameter	Min	Typ	Max	Unit	Remark
t_{cycle}	Enable cycle time	100	200		ns	
PW_{EH}	Enable high-level pulse width	66	70		ns	
PW_{EL}	Enable low level pulse width	33	130		ns	
t_{ASE}	RS setup time	16	25		ns	
t_{AHE}	RS hold time	16	45		ns	
t_{DSWE}	Write data setup time	50	50		ns	
t_{HE}	Write data hold time	50	40		ns	
t_{csb-s}	CSB setup time	16	20		ns	
t_{csbh}	CSB hold time	16	30		ns	

5 Optical specification

5.1 Optical characteristic :

Item		Symbol	Condition	Min.	Typ.	Max.	Unit	Remark
Response Time	Rise	T_r	$\Theta=0^\circ$	-	15	30	ms	Note 1,2,3,5
	Fall	T_f		-	35	50	ms	
Contrast ratio		CR	At optimized viewing angle	200	350	-		Note 1,2,4,5
Viewing Angle	Top		$CR \geq 10$	55	60	-	deg.	Note1,2, 5,6
	Bottom			45	50	-		
	Left			55	60	-		
	Right			55	60	-		
Brightness LED BL			$I_{LED}=330mA$, $25^\circ C$	--	800	--	cd/m ²	
Red chromaticity		XR	$\Theta=0^\circ$ $\Theta=0^\circ$	0.610	0.640	0.670		Note 7 For reference only. These data should be update according the prototype.
		YR		0.314	0.344	0.374		
Green chromaticity		XG		0.268	0.298	0.328		
		YG		0.553	0.583	0.613		
Blue chromaticity		XB		0.102	0.132	0.162		
		YB		0.107	0.137	0.167		
White chromaticity		XW		0.282	0.312	0.342		
		YW		0.299	0.329	0.359		

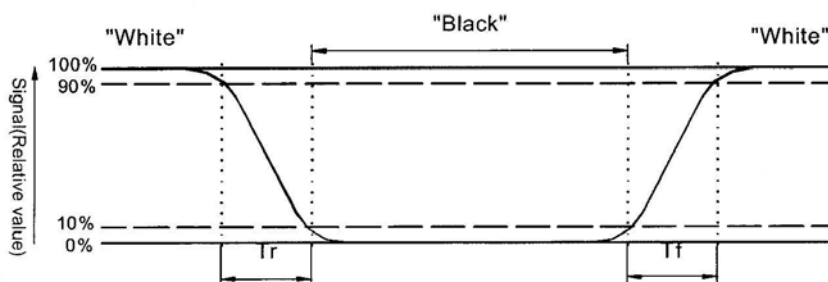
()For reference only. These data should be update according the prototype.

Note 1: Ambient temperature= $25^\circ C$, and lamp current $I_{LED}=480mA$. To be measured in the dark room.

Note 2: To be measured on the center area of panel with a viewing cone of 1° by Topcon luminance meter BM-7, after 10 minutes operation.

Note 3. Definition of response time:

The output signals of photo detector are measured when the input signals are changed from "black" to "white" (falling time) and from "white" to "black" (rising time), respectively. The response time is defined as the time interval between the 10% and 90% of amplitudes. Refer to figure as below.



Note 4. Definition of contrast ratio:

Contrast ratio is calculated with the following formula.

$$\text{Contrast ratio(CR)} = \frac{\text{Photo detector output when LCD is at "White" state}}{\text{Photo detector Output when LCD is at "Black" state}}$$

Note 5: White $V_i = V_{i50} + 1.5V$

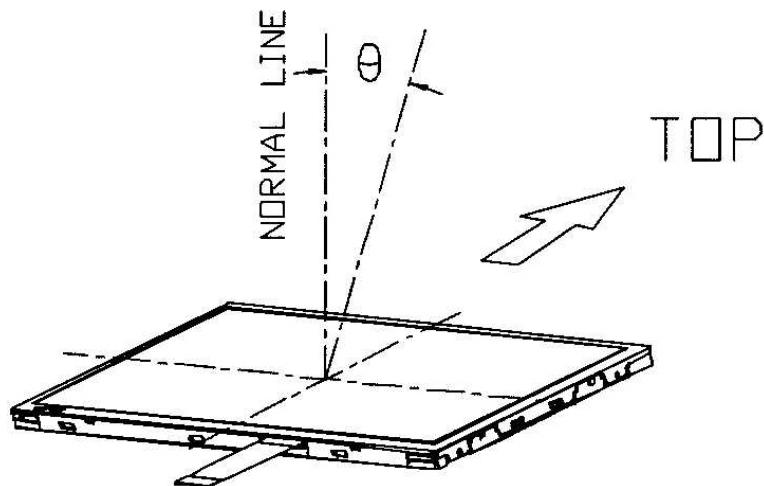
Black $V_i = V_{i50} + 2.0V$

"±" means that the analog input signal swings in phase with V_{COM} signal.

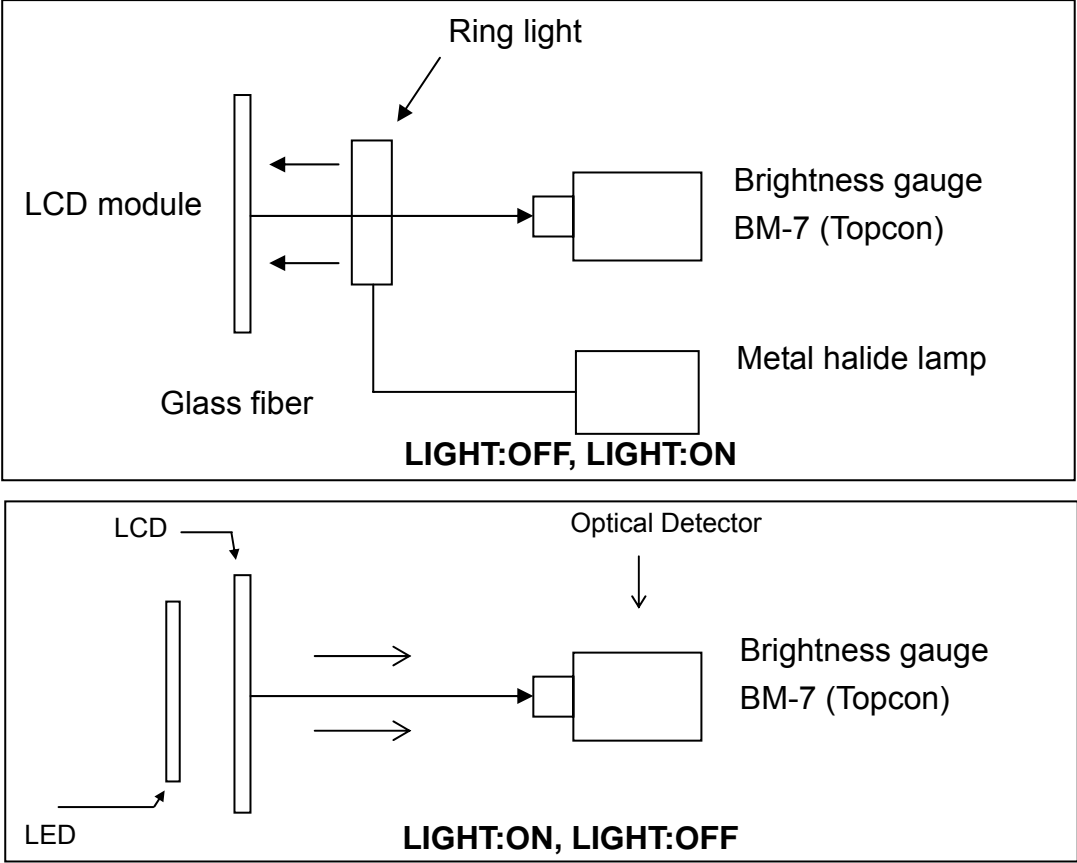
" $\frac{-}{+}$ " means that the analog input signal swings out of phase with V_{COM} signal.

V_{i50} : The analog input voltage when transmission is 50%. The 100% Transmission is defined as the transmission of LCD panel when all the Input terminals of module are electrically opened.

Note 6. Definition of viewing angle, Refer to figure as below.



Note 7. Measured at the center area of the panel when all the input terminals of LCD panel are electrically opened.



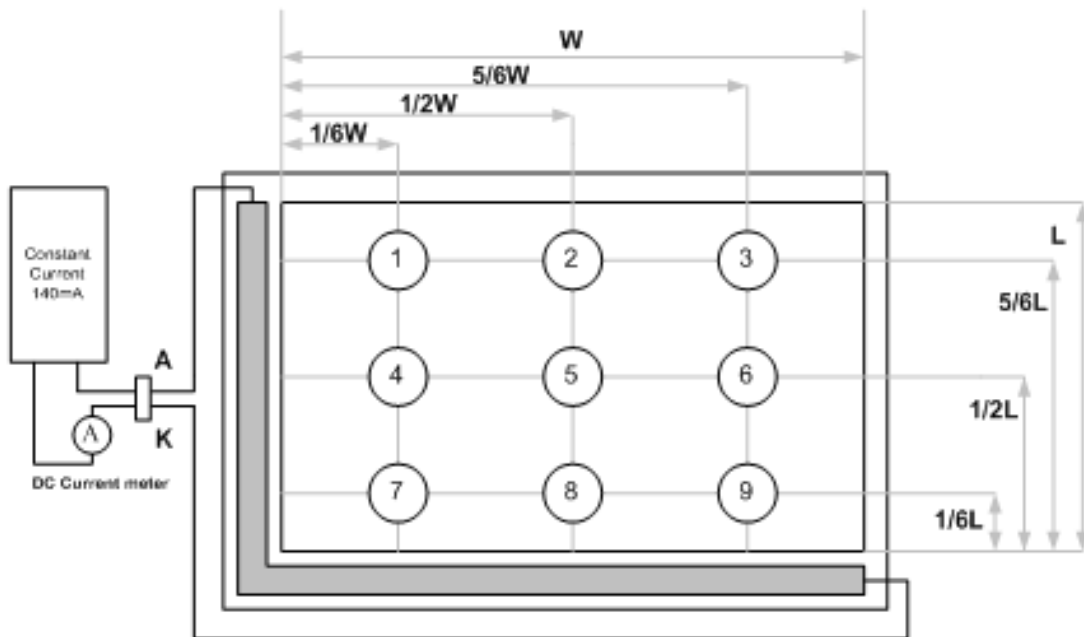
5.2 Optical characteristic of the LED Back-light

ITEM	MIN	TYP	MAX	UNIT	Condition
Bare Brightness	--	11000	--	Cd/m ²	$I_{LED} = 480\text{mA}, T_a = 25^\circ\text{C}$
AVG. X of 1931 C.I.E.	0.28	0.31	0.34	--	$I_{LED} = 480\text{mA}, T_a = 25^\circ\text{C}$
AVG. X of 1931 C.I.E.	0.28	0.31	0.34	--	$I_{LED} = 480\text{mA}, T_a = 25^\circ\text{C}$
Brightness Uniformity	80	--	--	%	$I_{LED} = 480\text{mA}, T_a = 25^\circ\text{C}$

() For reference only. These data should be update according the prototype.

Note1 : Measurement after 10 minutes from LED BL operating.

Note2 : Measurement of the following 9 places on the display.



Note3: The Uniformity definition

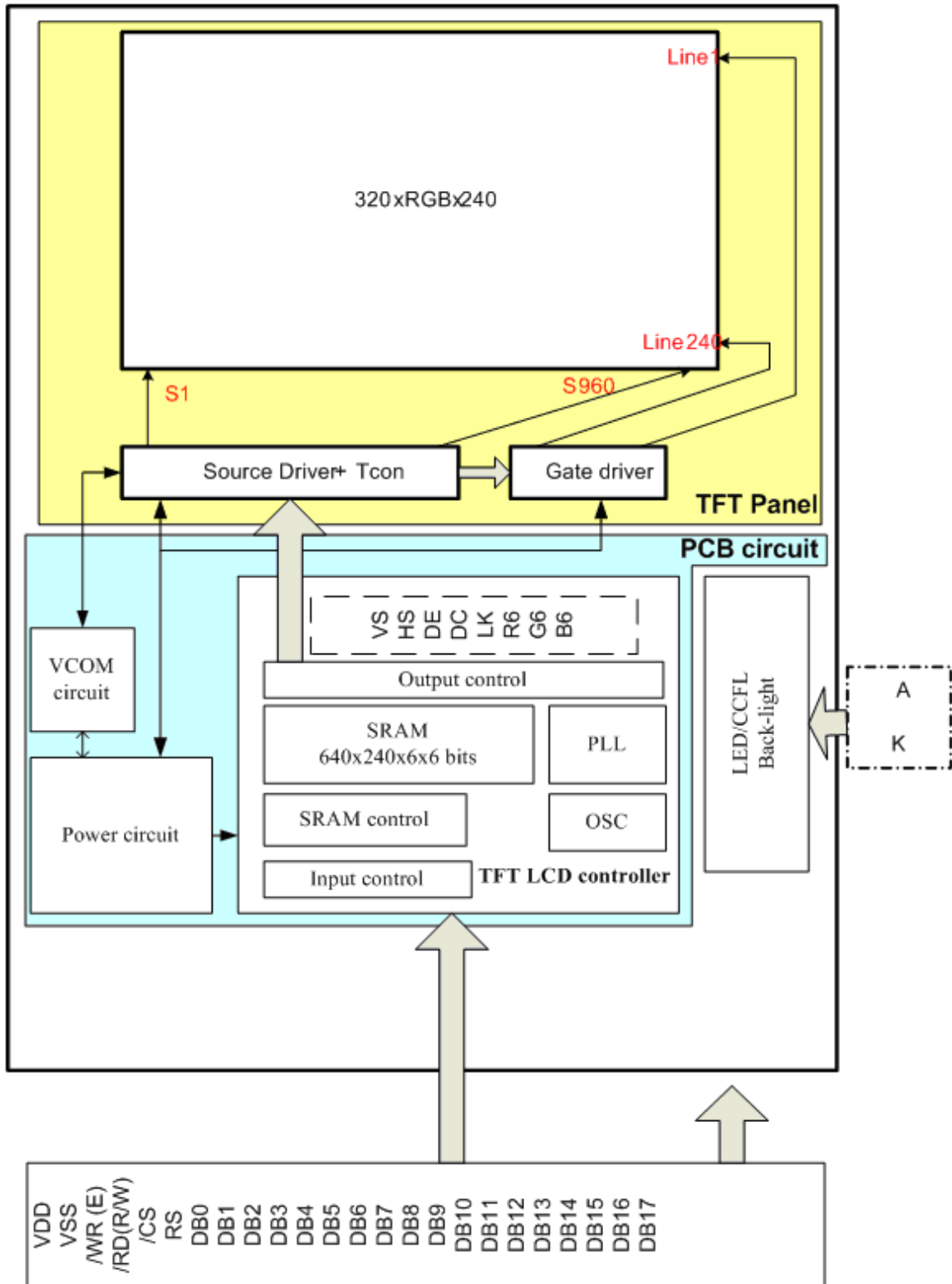
$(\text{Min Brightness} / \text{Max Brightness}) \times 100\%$

6 Interface specifications

6.1 Driving signals for the TFT panel

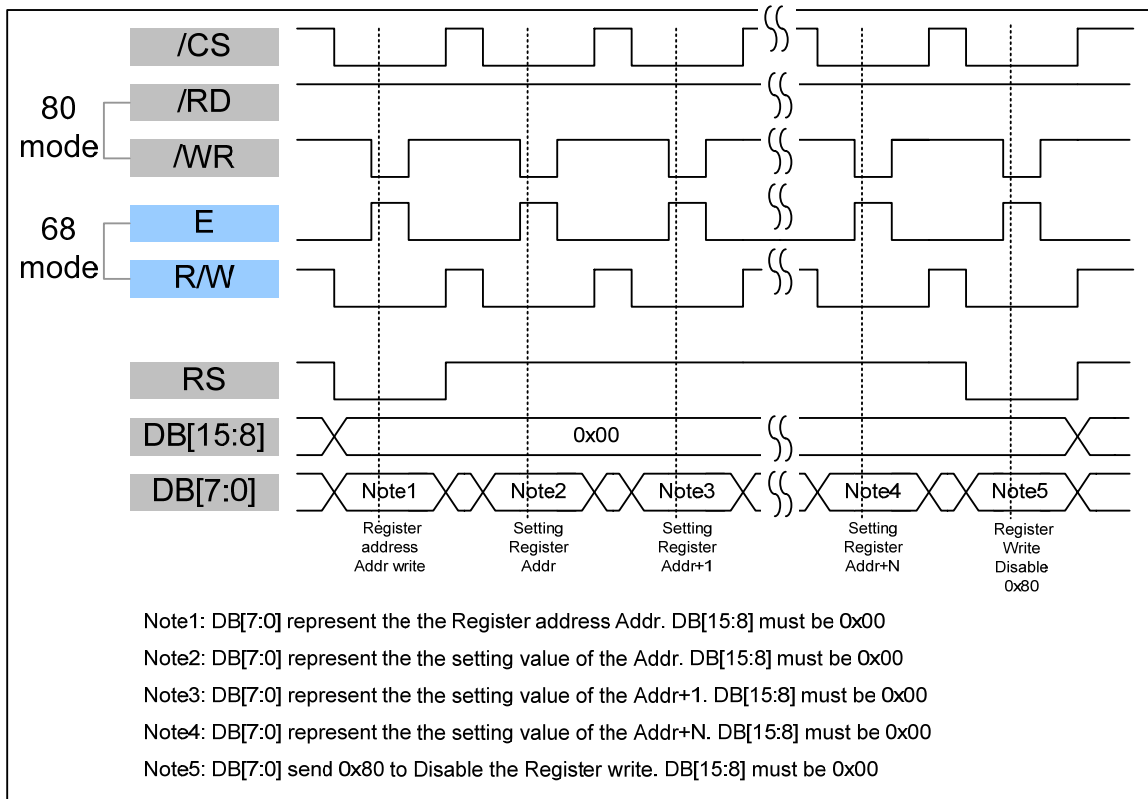
Pin no	Symbol	I/O	Description	Remark
1	/RESET	I	Reset Signal	
2	/WR	I	80 Series: Write Signal 68 Series: R/W Signal	
3	/CS	I	Chip Select Signal	
4	RS	I	Data type selection	
5	RD	II	80 Series: Read signal 68 Series: Enable signal(E)	
6	D0	I/O	Data input/output	
7	D1	I/O		
8	D2	I/O		
9	D3	I/O		
10	D4	I/O		
11	D5	I/O		
12	D6	I/O		
13	D7	I/O		
14	DGND	I	Ground	
15	D8	I/O	Data input/output	
16	D9	I/O		
17	D10	I/O		
18	D11	I/O		
19	D12	I/O		
20	D13	I/O		
21	D14	I/O		
22	D15	I/O		
23	D16	I/O		
24	D17	I/O		
25	VDD	P	Power Supply for Logic	
26	VDD	P		
27	DGND	P	Ground	
28	DGND	P		
29	65K/262K	I	When use 8 or 16 bit MPU interface. The 65k/262k data format can be select. Lo:65K Hi:262K colors When use 9 or 18bit MPU interface. The 262K data can be used only. The 65K/262K pin must set to Hi	
30	DGND	P	Ground	
31	NC		Not use	
32	NC		Not use	
33	NC		Not use	

7 BLOCK DIAGRAM

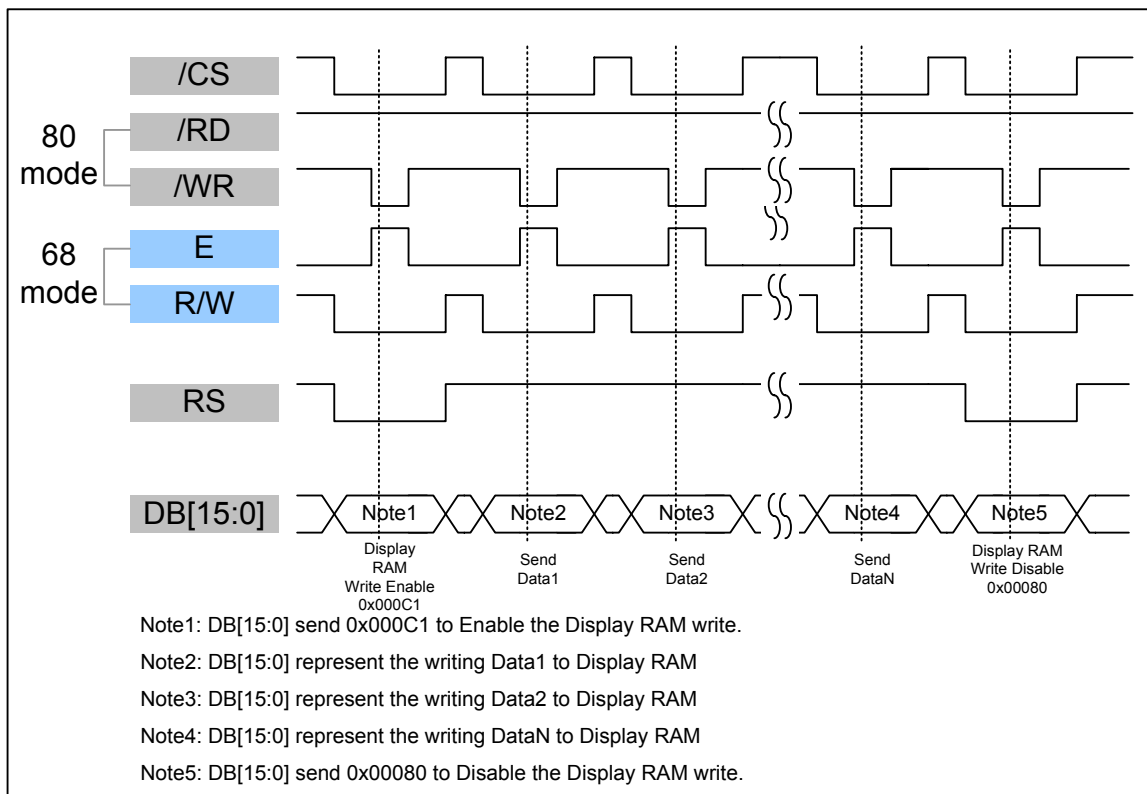


8 Interface Protocol

8.1.1 16Bit-80/68- Write to Command Register



8.1.2 16Bit-80/68-Write to Display RAM



8.2 Data transfer order Setting

8.2.1 16 bit interface 65K color (Pin29 65K/262K =Low)

DB	15	14	13	12	11	10	9	8	7	6	5	4	3	2	1	0
	R4	R3	R2	R1	R0	G5	G4	G3	G2	G1	G0	B4	B3	B2	B1	B0

8.2.2 16 bit interface 262K color (Pin29 65K/262K =High)

DB	15	14	13	12	11	10	9	8	7	6	5	4	3	2	1	0
1 st data	X	X	X	X	X	X	X	X	X	X	X	X	X	X	R5	R4
2 nd data	R3	R2	R1	R0	G5	G4	G3	G2	G1	G0	B5	B4	B3	B2	B1	B0

8 Register Depiction

Register Address (Hex)	Default (Hex)	DB7	DB6	DB5	DB4	DB3	DB2	DB1	DB0	Remark	
00	00	MSB of X-axis start position									
Description	set the horizontals start position of display active region										
Register Address (Hex)	Default (Hex)	DB7	DB6	DB5	DB4	DB3	DB2	DB1	DB0	Remark	
01	00	LSB of X-axis start position									
Description	set the horizontals start position of display active region										
Register Address (Hex)	Default (Hex)	DB7	DB6	DB5	DB4	DB3	DB2	DB1	DB0	Remark	
02	01	MSB of X-axis end position									
Description	set the horizontals end position of display active region										
Register Address (Hex)	Default (Hex)	DB7	DB6	DB5	DB4	DB3	DB2	DB1	DB0	Remark	
03	3F	LSB of X-axis end position									
Description	set the horizontals end position of display active region										
Register Address (Hex)	Default (Hex)	DB7	DB6	DB5	DB4	DB3	DB2	DB1	DB0	Remark	
04	00	MSB of Y-axis start position									
Description	set the vertical start position of display active region										
Register Address (Hex)	Default (Hex)	DB7	DB6	DB5	DB4	DB3	DB2	DB1	DB0	Remark	
05	00	LSB of Y-axis start position									
Description	Set the vertical start position of display active region										

Register Address (Hex)	Default (Hex)	DB7	DB6	DB5	DB4	DB3	DB2	DB1	DB0	Remark
06	00	MSB of Y-axis end position								
Description	set the vertical end position of display active region									
Register Address (Hex)	Default (Hex)	DB7	DB6	DB5	DB4	DB3	DB2	DB1	DB0	Remark
07	EF	LSB of Y-axis end position								
Description	Set the vertical end position of display active region									

To simplify the address control of display RAM access, the window area address function allows for writing data only within a window area of display RAM specified by registers REG[00]~REG[07].

After writing data to the display RAM, the Address counter will be increased within setting window address-range which is specified by

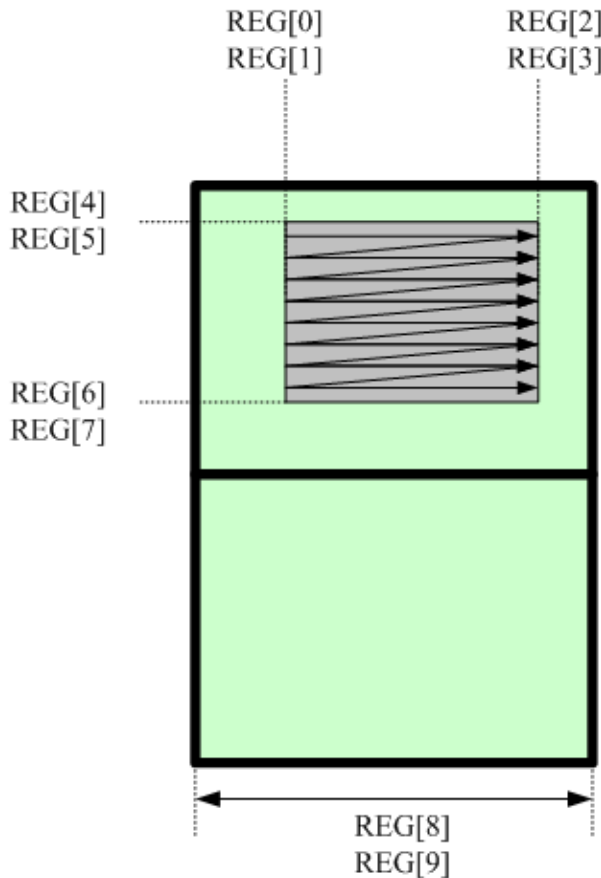
MIN X address (REG[0] & REG[1])

MAX X address (REG[2] & REG[3])

MIN Y address (REG[4] & REG[5])

MAX Y address (REG[6] & REG[7])

Therefore, data can be written consecutively without thinking the data address.



Register Address (Hex)	Default (Hex)	DB7	DB6	DB5	DB4	DB3	DB2	DB1	DB0	Remark
08	01	X	X	X	X	X	X	_PanelXSize_H_Byte[1:0]		
Description	Set the panel X size									
Register Address (Hex)	Default (Hex)	DB7	DB6	DB5	DB4	DB3	DB2	DB1	DB0	Remark
09	40	_PanelXSize_L_Byte[7:0]								
Description	Set the panel X size									

The register REG[08] and REG[09] is use to calculate the RAM address. If you want to use the TFT as Landscape mode (320x240), the REG[08] & RGE[09] must set to 320. If you want to use the TFT as Portrait mode (240x320), the REG[08] & RGE[09] must set to 240.

Register Address (Hex)	Default (Hex)	DB7	DB6	DB5	DB4	DB3	DB2	DB1	DB0	Remark
0A	00	X	X	X	X	X	[17:16] bits of memory write start address			
Description	Memory write start address									
Register Address (Hex)	Default (Hex)	DB7	DB6	DB5	DB4	DB3	DB2	DB1	DB0	Remark
0B	00	[15:8] bits of memory write start address								
Description	Memory write start address									
Register Address (Hex)	Default (Hex)	DB7	DB6	DB5	DB4	DB3	DB2	DB1	DB0	Remark
0C	00	[7:0] bits of memory write start address								
Description	Memory write start address									

Register Address (Hex)	Default (Hex)	DB7	DB6	DB5	DB4	DB3	DB2	DB1	DB0	Remark
0x10	0x0D	Bit_SWAP	OUT_TEST	BUS_SEL		Blanking	P/S_SEL	CLK_SEL		
Description	<p>"0x10_Clk_sel[1:0]" : The TFT controller built-in 40Mhz PLL clock. These bits are for select the TFT panel dot clock frequency. 00 : 20Mhz 01: 10Mhz 02: 5 Mhz</p> <p>"0x10_ps_sel[2]" : The TFT controller support parallel and serial RGB interface. These bits are for select the output timing. 0 : serial Panel 1: Parallel panel</p>									

	"0x10_blanking_tmp[3]" 0 : OFF (blanking) 1: ON (normal operation)									
	"0x10_bus_sel[5:4]" : It only for serial Panel 00=R , 01=G , 10=B									
	"0x10_out_test[6]" : Self test 0 : normal operation 1: for test (don't use for normal operation) When set the bit to "1" , the Rout=(Reg 2a[6:0]) Gout=(Reg 2b[6:0]) Bout=(Reg 2c[6:0])									
	"0x10_bit_swap[7]" : 0-normal									
	The default setting is suitable for AM320240N1. Don't need to modify it.									
Register Address (Hex)	Default (Hex)	DB7	DB6	DB5	DB4	DB3	DB2	DB1	DB0	Remark
0x11	00	x	x	EVEN			_ODD			
Description	<p>" Even line of serial panel data out sequence or data bus order of parallel panel 000: RGB 001: RBG 010: GRB 011: GBR 100: BRG 101: BGR Others: reserved</p> <p>Odd line of serial panel data out sequence 000: RGB 001: RBG 010: GRB 011: GBR 100: BRG 101: BGR Others: reserved Must Set to 0x05 for AM320240N1</p>									

Register Address (Hex)	Default (Hex)	DB7	DB6	DB5	DB4	DB3	DB2	DB1	DB0	Remark
0x12	00					Hsync_stH_Byte[3:0]				
Description	<p>For TFT output timing adjust: Hsync start position H-Byte The default setting is suitable for AM320240N1. Don't need to modify it.</p>									
Register Address (Hex)	Default (Hex)	DB7	DB6	DB5	DB4	DB3	DB2	DB1	DB0	Remark
0x13	00	Hsync_stL_Byte[7:0]								
Description	<p>For TFT output timing adjust: Hsync start position L-Byte The default setting is suitable for AM320240N1. Don't need to modify it.</p>									

Register Address (Hex)	Default (Hex)	DB7	DB6	DB5	DB4	DB3	DB2	DB1	DB0	Remark	
0x14	00					Hsync_pwH_Byte[3:0]					
Description	For TFT output timing adjust: Hsync pulse width H-Byte The default setting is suitable for AM320240N1. Don't need to modify it.										
Register Address (Hex)	Default (Hex)	DB7	DB6	DB5	DB4	DB3	DB2	DB1	DB0	Remark	
0x15	10	Hsync_pwL_Byte[7:0]									
Description	For TFT output timing adjust: Hsync pulse width L-Byte The default setting is suitable for AM320240N1. Don't need to modify it.										
Register Address (Hex)	Default (Hex)	DB7	DB6	DB5	DB4	DB3	DB2	DB1	DB0	Remark	
0x16	00					Hact_stH_Byte[3:0]					
Description	For TFT output timing adjust: DE pulse start position H-Byte The default setting is suitable for AM320240N1. Don't need to modify it.										
Register Address (Hex)	Default (Hex)	DB7	DB6	DB5	DB4	DB3	DB2	DB1	DB0	Remark	
0x17	38	Hact_stL_Byte[7:0]									
Description	For TFT output timing adjust: DE pulse start position L-Byte The default setting is suitable for AM320240N1. Don't need to modify it.										
Register Address (Hex)	Default (Hex)	DB7	DB6	DB5	DB4	DB3	DB2	DB1	DB0	Remark	
0x18	01					Hact_pwH_Byte[3:0]					
Description	For TFT output timing adjust: DE pulse width H-Byte The default setting is suitable for AM320240N1. Don't need to modify it.										
Register Address (Hex)	Default (Hex)	DB7	DB6	DB5	DB4	DB3	DB2	DB1	DB0	Remark	
0x19	40	Hact_pwL_Byte[7:0]									
Description	For TFT output timing adjust: DE pulse width L-Byte The default setting is suitable for AM320240N1. Don't need to modify it.										

Register Address (Hex)	Default (Hex)	DB7	DB6	DB5	DB4	DB3	DB2	DB1	DB0	Remark	
0x1A	01					HtotalH_Byte[3:0]					
Description	For TFT output timing adjust: Hsync total clocks H-Byte The default setting is suitable for AM320240N1. Don't need to modify it.										
Register Address (Hex)	Default (Hex)	DB7	DB6	DB5	DB4	DB3	DB2	DB1	DB0	Remark	
0x1B	B8	HtotalL_Byte[7:0]									
Description	For TFT output timing adjust: Hsync total clocks H-Byte The default setting is suitable for AM320240N1. Don't need to modify it.										
Register Address (Hex)	Default (Hex)	DB7	DB6	DB5	DB4	DB3	DB2	DB1	DB0	Remark	
0x1C	00					Vsync_stH_Byte[3:0]					
Description	For TFT output timing adjust: Vsync start position H-Byte The default setting is suitable for AM320240N1. Don't need to modify it.										
Register Address (Hex)	Default (Hex)	DB7	DB6	DB5	DB4	DB3	DB2	DB1	DB0	Remark	
0x1D	00	Vsync_stL_Byte[7:0]									
Description	For TFT output timing adjust: Vsync start position L-Byte The default setting is suitable for AM320240N1. Don't need to modify it.										
Register Address (Hex)	Default (Hex)	DB7	DB6	DB5	DB4	DB3	DB2	DB1	DB0	Remark	
0x1E	00					Vsync_pwH_Byte[3:0]					
Description	For TFT output timing adjust: Vsync pulse width H-Byte The default setting is suitable for AM320240N1. Don't need to modify it.										
Register Address (Hex)	Default (Hex)	DB7	DB6	DB5	DB4	DB3	DB2	DB1	DB0	Remark	
0x1F	08	Vsync_pwL_Byte[7:0]									
Description	For TFT output timing adjust: Vsync pulse width L-Byte The default setting is suitable for AM320240N1. Don't need to modify it.										
Register Address (Hex)	Default (Hex)	DB7	DB6	DB5	DB4	DB3	DB2	DB1	DB0	Remark	
0x20	00					Vact_stH_Byte[3:0]					
Description	For TFT output timing adjust: Vertical DE pulse start position H-Byte The default setting is suitable for AM320240N1. Don't need to modify it.										

Register Address (Hex)	Default (Hex)	DB7	DB6	DB5	DB4	DB3	DB2	DB1	DB0	Remark
0x21	12	Vact_stL_Byte[7:0]								
Description	For TFT output timing adjust: Vertical DE pulse start position L-Byte The default setting is suitable for AM320240N1. Don't need to modify it.									
Register Address (Hex)	Default (Hex)	DB7	DB6	DB5	DB4	DB3	DB2	DB1	DB0	Remark
0x22	00	Vact_pwH_Byte[3:0]								
Description	For TFT output timing adjust: Vertical Active width H-Byte The default setting is suitable for AM320240N1. Don't need to modify it.									
Register Address (Hex)	Default (Hex)	DB7	DB6	DB5	DB4	DB3	DB2	DB1	DB0	Remark
0x23	F0	Vact_pwL_Byte[7:0]								
Description	For TFT output timing adjust: Vertical Active width H-Byte The default setting is suitable for AM320240N1. Don't need to modify it.									
Register Address (Hex)	Default (Hex)	DB7	DB6	DB5	DB4	DB3	DB2	DB1	DB0	Remark
0x24	01	VtotalH_Byte[3:0]								
Description	For TFT output timing adjust: Vertical total width H-Byte The default setting is suitable for AM320240N1. Don't need to modify it.									
Register Address (Hex)	Default (Hex)	DB7	DB6	DB5	DB4	DB3	DB2	DB1	DB0	Remark
0x25	09	VtotalL_Byte[7:0]								
Description	For TFT output timing adjust: Vertical total width L-Byte The default setting is suitable for AM320240N1. Don't need to modify it.									

Register Address (Hex)	Default (Hex)	DB7	DB6	DB5	DB4	DB3	DB2	DB1	DB0	Remark
26	00	X	X	X	X	X	[17:16] bits of memory read start address			
Description	Memory read start address									
Register Address (Hex)	Default (Hex)	DB7	DB6	DB5	DB4	DB3	DB2	DB1	DB0	Remark
27	00	[15:8] bits of memory write start address								
Description	Memory read start address									

Register Address (Hex)	Default (Hex)	DB7	DB6	DB5	DB4	DB3	DB2	DB1	DB0	Remark	
28	00	[7:0] bits of memory write start address									
Description	Memory read start address										
Register Address (Hex)	Default (Hex)	DB7	DB6	DB5	DB4	DB3	DB2	DB1	DB0	Remark	
29	00	[7:1] Reversed									
Description	[0] Load output timing related setting (H sync., V sync. and DE) to take effect										
Register Address (Hex)	Default (Hex)	DB7	DB6	DB5	DB4	DB3	DB2	DB1	DB0	Remark	
0x2A	00	X	TestPatternRout[6:0]								
Description	When " REG[0x10]_out_test[6]" : Self test =1 ; The Rout data equal to TestPatternRout[6:0]										
Register Address (Hex)	Default (Hex)	DB7	DB6	DB5	DB4	DB3	DB2	DB1	DB0	Remark	
0x2B	00	X	TestPatternGout[6:0]								
Description	When " REG[0x10]_out_test[6]" : Self test =1 ; The Gout data equal to TestPatternGout[6:0]										
Register Address (Hex)	Default (Hex)	DB7	DB6	DB5	DB4	DB3	DB2	DB1	DB0	Remark	
0x2C	00	X	TestPatternBout[6:0]								
Description	When " REG[0x10]_out_test[6]" : Self test =1 ; The Bout data equal to TestPatternBout[6:0]										

If you set the " REG[0x10]_out_test[6]" : Self test =1 , the TFT controller will skip the connect of the display RAM. The Output port will send the REG[2A] ,REG[2B],REG[2C] data.

REG[2A]=0x3F
REG[2B]=0x00
REG[2C]=0x00

REG[2A]=0x00
REG[2B]=0x3F
REG[2C]=0x00

REG[2A]=0x00
REG[2B]=0x00
REG[2C]=0x3F

Register Address (Hex)	Default (Hex)	DB7	DB6	DB5	DB4	DB3	DB2	DB1	DB0	Remark
0x2D	00	X	X	X	X	[3]	Rising/falling edge[2]	_rotate [1:0]		
Description	[3] Output pin X_DCON level control ; TFT Power ON/OFF control 0: TFT POWER circuit OFF 1: TFT POWER circuit ON									
	Rising/falling edge[2] : 0: The RGB out put data are on the Rising edge of the DCLK. 1: The RGB out put data are on the Falling edge of the DCLK.									
	_rotate [1:0]: 00 : rotate 0 degree 01 : rotate90 degree 10 : rotate 270 degree 11 : rotate 180 degree									

Register Address (Hex)	Default (Hex)	DB7	DB6	DB5	DB4	DB3	DB2	DB1	DB0	Remark	
30	00	X	X	X	X	X	_H byte H-Offset[3:0]				
Description	Set the Horizontal offset										
Register Address (Hex)	Default (Hex)	DB7	DB6	DB5	DB4	DB3	DB2	DB1	DB0	Remark	
31	00	_L byte H-Offset[7:0]									
Description	Set the Horizontal offset										

Register Address (Hex)	Default (Hex)	DB7	DB6	DB5	DB4	DB3	DB2	DB1	DB0	Remark	
32	00	X	X	X	X	X	_H byte V-Offset[3:0]				
Description	Set the Vertical offset										
Register Address (Hex)	Default (Hex)	DB7	DB6	DB5	DB4	DB3	DB2	DB1	DB0	Remark	
33	00	_L byte V-Offset[7:0]									
Description	Set the Vertical offset										

Register Address (Hex)	Default (Hex)	DB7	DB6	DB5	DB4	DB3	DB2	DB1	DB0	Remark	
34	00	[7:4] Reserved					_H byte H-def[3:0]				
Description	[3:0] MSB of image horizontal physical resolution in memory										

Register Address (Hex)	Default (Hex)	DB7	DB6	DB5	DB4	DB3	DB2	DB1	DB0	Remark
35	40	_L byte H-def[7:0]								
Description	[7:0] LSB of image horizontal physical resolution in memory									
Register Address (Hex)	Default (Hex)	DB7	DB6	DB5	DB4	DB3	DB2	DB1	DB0	Remark
36	01	[7:4] Reserved					_H byte V-def[3:0]			
Description	[3:0] MSB of image vertical physical resolution in memory									
Register Address (Hex)	Default (Hex)	DB7	DB6	DB5	DB4	DB3	DB2	DB1	DB0	Remark
37	E0	_L byte V-def[7:0]								
Description	[7:0] LSB of image vertical physical resolution in memory									

The total RAM size is 640x240x18bit. The user can arrange the Horizontal ram size by REG[34],REG[35] and the Vertical ram size by REG[36],REG[37].

EX: 320x480x18bit REG[34]=0x01 , REG[35]=0x40 , REG[36]=0x01 , REG[37]=0xE0

EX: 640x240x18bit. REG[34]=0x02 , REG[35]=0x80 , REG[36]=0x00 , REG[37]=0xF0

9 Application Note:

```
/* Exported types -----*/
typedef unsigned char    uint8;
typedef signed   char    int8;
typedef unsigned short   uint16;
typedef signed   short   int16;
typedef unsigned long    uint32;
typedef signed   int     int32;

/*****
/*          STEP1: Define MCU BUS type          */
/*****
    #define Mode80    // 8080 MCU  /WR  /RD
    //#define Mode68    // 6800 MCU  R/W  E
/*****
/*          STEP2: Define BUS wide             */
/*****
    //#define C80_18B
    //#define C80_16B
    //#define C80_9B
    #define C80_8B
/*****
/*          STEP3: Define Landscap/Portrait    */
/*****
    #define Landscap
    //#define Portrait
/*****
/*          STEP4: Define Resolution           */
/*****
#ifndef Landscap
#define    Resolution_X 320
#define    Resolution_Y 240

#endif

#ifndef Portrait
```

```

#define Resolution_X 240
#define Resolution_Y 320
#endif

/*****/
/*          STEP5: TFT timing          */
/*****/
# define Rising  0<<2      // Don't need to change
# define Falling 1<<2      // Don't need to change

#define LCD_DCLK 10          //Select DCLK Frequency  MHz
/* LCD_DCLK=(40*(0x42)/(0x41))/R10_B10*/
/*5, 6.67, 7.5, 8.57, 10, 12, 15, */
//Can be 5 , 6 , 7 , 8 ,10,12 ,15

#define LCD_DCLK_Latch      Rising //Rising: for Rising Edge
                          //Falling: for Rising Edge

#define H_Sync_Pluse_Wide  10    // Hsync Pluse Wide
#define H_Sync_to_DE       68    // DE horizontal start position
#define H_Sync_total       440   // Horizontal total
#define V_Sync_Pluse_Wide  8// Vsync Pluse Wide
#define V_Sync_to_DE       16    // DE vertical start position
#define V_Sync_total       265   // Vertical total

/*****//
/*****Don't need to change the bellow macro*****/

#if LCD_DCLK== 5
    #define R41      1
    #define R42      1
    #define R10_B10  2
#endif

#if LCD_DCLK== 6
    #define R41      3

```

```
#define R42      4
#define R10_B10 2
#endif

#if LCD_DCLK== 7
#define R41      4
#define R42      3
#define R10_B10 1
#endif

#if LCD_DCLK== 8
#define R41      12
#define R42      10
#define R10_B10 1
#endif

#if LCD_DCLK== 10
#define R41      1
#define R42      2
#define R10_B10 2
#endif

#if LCD_DCLK== 12
#define R41      5
#define R42      6
#define R10_B10 1
#endif

#if LCD_DCLK== 15
#define R41      2
#define R42      3
#define R10_B10 1
#endif

#define _DisplayRAM_WriteEnable_ 0xc1
#define _DisplayRAM_WriteDisable_ 0x80
```

```

typedef struct
{
    uint8  REG_Index;
    uint8  REG_Value;

}FSA506_REG_Setting;

#ifdef  Landscap

static  FSA506_REG_Setting FSA506_A[] =

{
    {0x40,0x12},
    {0x41,R41},
    {0x42,R42},
    {0x08,(uint8)(Resolution_X>>8)},
    {0x09,(uint8)(Resolution_X)},
    {0x0a,0x00},
    {0x0b,0x00},
    {0x0c,0x00},
    {0x10,0x0C|R10_B10},
    //{0x10,0x0C|0x02},
    {0x11,0x05},
    {0x12,0x00},
    {0x13,0x00},
    {0x14,(uint8)(H_Sync_Pluse_Wide>>8)},
    {0x15,(uint8)(H_Sync_Pluse_Wide)},
    {0x16,(uint8)(H_Sync_to_DE>>8)},
    {0x17,(uint8)(H_Sync_to_DE)},
    {0x18,(uint8)(Resolution_X>>8)},
    {0x19,(uint8)(Resolution_X)},
    {0x1a,(uint8)(H_Sync_total>>8)},
    {0x1b,(uint8)(H_Sync_total)},
    {0x1c,0x00},
    {0x1d,0x00},
    {0x1e,(uint8)(V_Sync_Pluse_Wide>>8)},

```

```

{0x1f,(uint8)(V_Sync_Pluse_Wide)},
{0x20,(uint8)(V_Sync_to_DE>>8)},
{0x21,(uint8)(V_Sync_to_DE)},
{0x22,(uint8)(Resolution_Y>>8)},
{0x23,(uint8)(Resolution_Y)},
{0x24,(uint8)(V_Sync_total>>8)},
{0x25,(uint8)(V_Sync_total)},
{0x26,0x00},
{0x27,0x00},
{0x28,0x00},
{0x29,0x01},

{0x2d,LCD_DCLK_Latch|0x08},
// [7:4] Reserved
// [3] Output pin X_DCON level control
// [2] Output clock inversion    0: Normal 1: Inverse
// [1:0] Image rotate
//    00: 0°  01: 90°  10: 270° 11: 180°

{0x30,0x00},
{0x31,0x00},
{0x32,0x00},
{0x33,0x00},
{0x34,(uint8)(Resolution_X>>8)},
{0x35,(uint8)(Resolution_X)},
{0x36,(uint8)((2*Resolution_Y)>>8)},
{0x37,(uint8)(2*Resolution_Y)},

};
#endif

#ifdef Portrait

static FSA506_REG_Setting FSA506_A[] =

{
{0x40,0x12},

```

```

{0x41,R41},
{0x42,R42},
{0x08,(uint8)(Resolution_X>>8)},
{0x09,(uint8)(Resolution_X)},
{0x0a,0x00},
{0x0b,0x00},
{0x0c,0x00},
{0x10,0x0C|R10_B10},
//{0x10,0x0C|0x02},
{0x11,0x05},
{0x12,0x00},
{0x13,0x00},
{0x14,(uint8)(H_Sync_Pluse_Wide>>8)},
{0x15,(uint8)(H_Sync_Pluse_Wide)},
{0x16,(uint8)(H_Sync_to_DE>>8)},
{0x17,(uint8)(H_Sync_to_DE)},
{0x18,(uint8)(Resolution_Y>>8)},
{0x19,(uint8)(Resolution_Y)},
{0x1a,(uint8)(H_Sync_total>>8)},
{0x1b,(uint8)(H_Sync_total)},
{0x1c,0x00},
{0x1d,0x00},
{0x1e,(uint8)(V_Sync_Pluse_Wide>>8)},
{0x1f,(uint8)(V_Sync_Pluse_Wide)},
{0x20,(uint8)(V_Sync_to_DE>>8)},
{0x21,(uint8)(V_Sync_to_DE)},
{0x22,(uint8)(Resolution_X>>8)},
{0x23,(uint8)(Resolution_X)},
{0x24,(uint8)(V_Sync_total>>8)},
{0x25,(uint8)(V_Sync_total)},
{0x26,0x00},
{0x27,0x00},
{0x28,0x00},
{0x29,0x01},

{0x2d,LCD_DCLK_Latch|0x08|0x01},
// [7:4] Reserved

```

```

// [3] Output pin X_DCON level control
// [2] Output clock inversion    0: Normal 1: Inverse
// [1:0] Image rotate
//    00: 0°  01: 90°  10: 270° 11: 180°

{0x30,0x00},
{0x31,0x00},
{0x32,0x00},
{0x33,0x00},
{0x34,(uint8)(Resolution_X>>8)},
{0x35,(uint8)(Resolution_X)},
{0x36,(uint8)((2*Resolution_Y)>>8)},
{0x37,(uint8)(2*Resolution_Y)},

};
#define      NOP()      __asm{NOP}

#endif
/*****Don't need to change the above macro*****/

void AMP506_80Mode_Command_SendAddress(uint8 Addr);
void AMP506_80Mode_Command_SendData(uint8 Data);
void AMP506_80Mode_16Bit_Memory_SendData(uint16 Dat16bit);
void AMP506_Command_Write(uint8 CMD_Address,uint8 CMD_Value);
void Initial_AMP506(void) ;
void AMP506_WindowSet(uint16 S_X,uint16 S_Y,uint16 E_X,uint16 E_Y) ;
void FD506_DisplayRAM_WriteEnable(void);
void FD506_DisplayRAM_WriteDisable(void);
void GUI_RectangleFill(uint32 x0, uint32 y0, uint32 x1, uint32 y1, uint16 color);
void Full_LCD(uint16 Dat16bit);
void LCD_Pixel(uint16 x , uint16 y , uint16 couleur);

/*****FSA506 Write Registr Address function *****/
void AMP506_80Mode_Command_SendAddress(uint8 Addr)
{

```



```

#ifdef Mode68
uint16 i;
CLR_nWRL;
CLR_RS;
CLR_CS1;
CLR_nRD;
DB16OUT(Addr);
NOP();NOP();
SET_nWRL; //Enable
NOP();NOP();NOP(); NOP();NOP();//NOP(); NOP();NOP();NOP();
CLR_nWRL; //Enable
SET_RS;

SET_CS1;
#endif

#ifdef Mode80
SET_nRD; //SET_RW
CLR_RS;
DB16OUT(Addr); NOP();
CLR_CS1;
CLR_nWRL; //CLR_E

NOP();NOP();NOP();
SET_nWRL; //SER_E // Low to High Latch Data to AMP506 Buffer
SET_RS;
SET_CS1;
#endif

}
/*****FSA506 Write Command Data function *****/
void AMP506_80Mode_Command_SendData(uint8 Data)
{
#ifdef Mode68
uint16 i;

```

```

CLR_nWRL; //E
SET_RS;
CLR_CS1;
CLR_nRD; //W/R
DB16OUT(Data);
NOP();NOP();
SET_nWRL;
NOP();NOP();NOP();NOP();NOP();//NOP();NOP();NOP();
CLR_nWRL; //E nable
SET_RS;
SET_CS1;

#endif

#ifdef Mode80
SET_nRD;
SET_RS;
DB16OUT(Data); NOP(); // NOP()
CLR_CS1;
CLR_nWRL;

NOP();NOP();NOP();
SET_nWRL; // Low to High Latch Data to AMP506 Buffer
SET_RS;
SET_CS1;
#endif

}
/*****FSA506 Write Data function *****/
void AMP506_80Mode_16Bit_Memory_SendData(uint16 Dat16bit)
{

#ifdef Mode80
#ifdef C80_16B
SET_nRD;
SET_RS;
DB16OUT(Dat16bit);NOP();

```

```

CLR_CS1;

CLR_nWRL;

NOP(); NOP(); NOP();

SET_nWRL; // Low to High Latch Data to AMP506 Buffer
SET_CS1;

#endif

#ifdef C80_8B
DB16OUT(Dat16bit>>8);NOP();NOP();
SET_nRD;
SET_RS;

CLR_CS1;
CLR_nWRL;

NOP(); NOP(); NOP();
SET_nWRL; // Low to High Latch Data to AMP506 Buffer
SET_CS1;

//Delay_uS(1);
DB16OUT(Dat16bit);NOP(); NOP();
SET_nRD;
SET_RS;

CLR_CS1;
CLR_nWRL;
NOP(); NOP(); NOP();
SET_nWRL; // Low to High Latch Data to AMP506 Buffer
SET_CS1;

#endif
//Delay_uS(1);

```

```

#ifdef C80_18B

uint32 k=0;
uint16 R_temp,G_temp,B_temp;

R_temp=((0xf800&Dat16bit)>>11);
G_temp=((0x07e0&Dat16bit)>>5);
B_temp=((0x001f&Dat16bit));

k|=((R_temp<<1)<<12); //+G_temp+B_temp;
k|=(G_temp<<6);
k|=(B_temp<<1);

FIO1MASK=0xFFE0FFFF;           // FIO1MASK 只可寫 P1.20~P1.16
FIO1PIN=k;                       // 將 Address A20~A16 寫入 P1.20~P1.16
FIO1MASK=0x00;

SET_nRD;
SET_RS;
DB16OUT(k);NOP();
CLR_CS1;
CLR_nWRL;

NOP(); NOP(); NOP();

SET_nWRL;                         // Low to High Latch Data to AMP506 Buffer
SET_CS1;

#endif

#ifdef C80_9B

uint32 k=0;
uint16 R_temp,G_temp,B_temp;

R_temp=((0xf800&Dat16bit)>>11);

```

```

G_temp=((0x07e0&Dat16bit)>>5);
B_temp=((0x001f&Dat16bit));

k|=((R_temp<<1)<<12); //+G_temp+B_temp;
k|=(G_temp<<6);
k|=(B_temp<<1);

SET_nRD;
SET_RS;
CLR_CS1;
CLR_nWRL;

DB16OUT(((k&0x3FE0)>>9));

SET_nWRL; // Low to High Latch Data to AMP506 Buffer
DB16OUT((k&0x1FF)); NOP();
SET_CS1;
// Delay_uS(1);
SET_nRD;
SET_RS;
CLR_CS1;
CLR_nWRL;

NOP(); NOP(); NOP();

SET_nWRL; // Low to High Latch Data to AMP506 Buffer
SET_CS1;

#endif
#endif

#ifdef Mode68
#ifdef C80_16B
uint16 i;
NOP();NOP();

```

```

CLR_nWRL; //E=0
SET_RS;
CLR_CS1;
CLR_nRD; // W/R=0

DB16OUT(Dat16bit);

SET_nWRL; // Low to High Latch Data to AMP506 Buffer
NOP();NOP();NOP();NOP();//NOP();NOP();NOP();NOP();
CLR_nWRL; // Low to High Latch Data to AMP506 Buffer
SET_CS1;
#endif

#ifdef C80_8B
uint16 i;
//for (i=0;i<16;i++);
NOP();NOP();
CLR_nWRL; //E=0
SET_RS;
CLR_CS1;
CLR_nRD; // W/R=0

DB16OUT(Dat16bit>>8);

SET_nWRL; // Low to High Latch Data to AMP506 Buffer
NOP();NOP();NOP();NOP();//NOP();NOP();NOP();NOP();
CLR_nWRL; // Low to High Latch Data to AMP506 Buffer
SET_CS1;

CLR_nWRL; //E=0
SET_RS;
CLR_CS1;
CLR_nRD; // W/R=0

DB16OUT(Dat16bit);

```

```

SET_nWRL;                // Low to High Latch Data to AMP506 Buffer
NOP();NOP();NOP();NOP();//NOP();NOP();NOP();NOP();
CLR_nWRL;                // Low to High Latch Data to AMP506 Buffer
SET_CS1;

#endif
//Delay_uS(1);

#ifdef C80_18B

uint32 k=0;
uint16 R_temp,G_temp,B_temp;
uint16 i;
NOP();NOP();

R_temp=((0xf800&Dat16bit)>>11);
G_temp=((0x07e0&Dat16bit)>>5);
B_temp=((0x001f&Dat16bit));

k|=((R_temp<<1)<<12); //+G_temp+B_temp;
k|=(G_temp<<6);
k|=(B_temp<<1);

FIO1MASK=0xFFE0FFFF;    // FIO1MASK 只可寫 P1.20~P1.16
FIO1PIN=k;              // 將 Address A20~A16 寫入 P1.20~P1.16
FIO1MASK=0x00;

CLR_nWRL; //E=0
SET_RS;
CLR_CS1;
CLR_nRD; // W/R=0

DB16OUT(k);

SET_nWRL;                // Low to High Latch Data to AMP506 Buffer
NOP();NOP();NOP();NOP();NOP();//NOP();NOP();NOP();

```

```

CLR_nWRL;                // Low to High Latch Data to AMP506 Buffer
SET_CS1;

#endif

#ifdef C80_9B

uint32 k=0;
uint16 R_temp,G_temp,B_temp;
uint16 i;
//for (i=0;i<16;i++);
NOP();NOP();
R_temp=((0xf800&Dat16bit)>>11);
G_temp=((0x07e0&Dat16bit)>>5);
B_temp=((0x001f&Dat16bit));

k|=((R_temp<<1)<<12); //+G_temp+B_temp;
k|=(G_temp<<6);
k|=(B_temp<<1);

CLR_nWRL; //E=0
SET_RS;
CLR_CS1;
CLR_nRD; // W/R=0

DB16OUT(((k&0x3FE0)>>9));

SET_nWRL;                // Low to High Latch Data to AMP506 Buffer
NOP();NOP();NOP();NOP();//NOP();NOP();NOP();NOP();
CLR_nWRL;                // Low to High Latch Data to AMP506 Buffer
SET_CS1;

// Delay_uS(1);
CLR_nWRL; //E=0
SET_RS;
CLR_CS1;

```



```

CLR_nRD;    // W/R=0

DB16OUT((k&0x1FF));

SET_nWRL;           // Low to High Latch Data to AMP506 Buffer
NOP();NOP();NOP();NOP();//NOP();NOP();NOP();NOP();
CLR_nWRL;           // Low to High Latch Data to AMP506 Buffer
SET_CS1;

#endif
#endif

}

/*****FSA506 Write Command function *****/
void AMP506_Command_Write(uint8 CMD_Address,uint8 CMD_Value)
{
    AMP506_80Mode_Command_SendAddress(CMD_Address);
    AMP506_80Mode_Command_SendData(CMD_Value);
}

/*****FSA506 Initial function *****/

void Initial_AMP506(void)    //

{
    uint8 i;

    for(i=0;i < (sizeof(FSA506_A) / sizeof (FSA506_A[0]));i++)

    {

        AMP506_Command_Write(FSA506_A[i].REG_Index , FSA506_A[i].REG_Value);

    }
}

```

```

}

/*****FSA506 Set Start & End area function *****/
void AMP506_WindowSet(uint16 S_X,uint16 S_Y,uint16 E_X,uint16 E_Y)

{

    AMP506_80Mode_Command_SendAddress(0x00);

    AMP506_80Mode_Command_SendData((S_X)>>8);
    AMP506_80Mode_Command_SendData(S_X);

    AMP506_80Mode_Command_SendData((E_X-1)>>8);
    AMP506_80Mode_Command_SendData(E_X-1);

    AMP506_80Mode_Command_SendData(S_Y>>8);
    AMP506_80Mode_Command_SendData(S_Y);

    AMP506_80Mode_Command_SendData((E_Y-1)>>8);
    AMP506_80Mode_Command_SendData(E_Y-1);

}

/*****
//
//          Enable Display RAM Write
//
*****/

void FD506_DisplayRAM_WriteEnable(void)
{

    AMP506_80Mode_Command_SendAddress(_DisplayRAM_WriteEnable_);

}

/*****
//
//          Disable Display RAM Write
//
*****/

```

```

void FD506_DisplayRAM_WriteDisable(void)
{

    AMP506_80Mode_Command_SendAddress(_DisplayRAM_WriteDisable_);

}

/*****FSA506 Set Start & End area function *****/
void GUI_RectangleFill(uint32 x0, uint32 y0, uint32 x1, uint32 y1, uint16 color)
{
    uint32 k,l;

    AMP506_WindowSet(x0,y0,x1,y1);
    FD506_DisplayRAM_WriteEnable();
    for(k=y0;k<y1;k++)

    {
        for(l=x0;l<x1;l++)
        {
            AMP506_80Mode_16Bit_Memory_SendData(color);
        }
    }
    FD506_DisplayRAM_WriteDisable();

}

/*****Full Display function *****/
void Full_LCD(uint16 Dat16bit)
{

    GUI_RectangleFill(0,0,Resolution_X,Resolution_Y,Dat16bit);

}

void LCD_Pixel(uint16 x , uint16 y , uint16 couleur)
{
    uint8 hiByte, lowByte;

```

```
AMP506_80Mode_Command_SendAddress(0x00);
AMP506_80Mode_Command_SendData((x)>>8);
AMP506_80Mode_Command_SendData(x);
AMP506_80Mode_Command_SendData((x)>>8);
AMP506_80Mode_Command_SendData(x);
AMP506_80Mode_Command_SendData(y>>8);
AMP506_80Mode_Command_SendData(y);
AMP506_80Mode_Command_SendData((y)>>8);
AMP506_80Mode_Command_SendData(y);
```

```
FD506_DisplayRAM_WriteEnable();
AMP506_80Mode_16Bit_Memory_SendData(couleur);
FD506_DisplayRAM_WriteDisable();
```

```
}
```

```
void main(void)
```

```
{
```

```
Initial_AMP506();
Full_LCD(0xf800);
Full_LCD(0x07e0);
Full_LCD(0x001f);
```

```
}
```

The TFT LCD controller default value is for AM320240NS already. So we can start to write our data in a few steps:

Target: To write a 640x240 data to Display RAM and scroll the display data by change the Horizontal offset register.

9.2 Step 1: Make sure the interface Protocol.

9.3 Step 2: Define the Horizontal ram seize = 640 and Vertical ram size =240
640x240x18bit. REG[34]=0x02 , REG[35]=0x80 , REG[36]=0x00 ,

REG[37]=0xF0

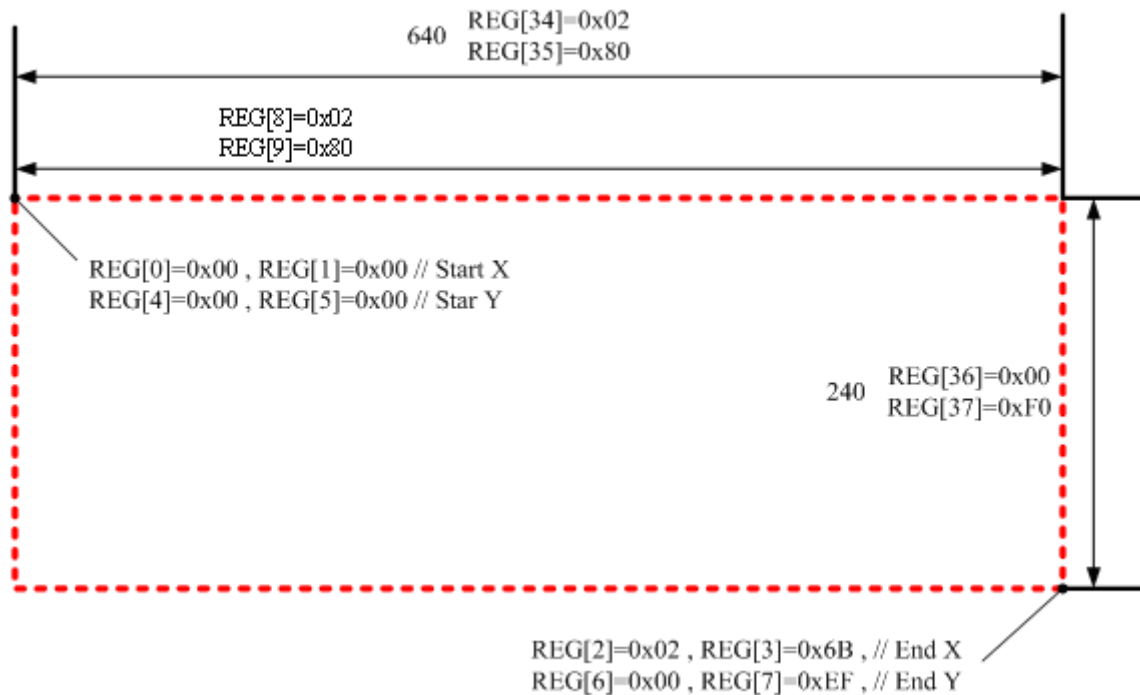
9.4 Step 3: Define the Panel X Size = 320

REG[8]=0x02 , REG[9]=0x80

9.5 Step4: Define the Write window. Start=(0,0) End=(619,239)

REG[0]=0x00 , REG[1]=0x00 , REG[2]=0x02 , REG[3]=0x6B , // Start X , End X

REG[4]=0x00 , REG[5]=0x00 , REG[6]=0x00 , REG[7]=0xEF , // Star Y ,End Y



9.6 Step5: Write the 640x240x18 bit data consecutively



9.7 Step6: The display will show the following image.



9.8 Step7: Change the Horizontal offset to switch or scroll the display data. Set the Horizontal offset = 160 , REG[30]=00 REG[31]=A0 . You will see



9.9 Step8: Change the Horizontal offset to switch or scroll the display data. Set the Horizontal offset = 320 , REG[30]=01 REG[31]=40 . You will see



DISPLAYED COLOR AND INPUT DATA

	Color & Gray Scale	DATA SIGNAL																	
		R5	R4	R3	R2	R1	R0	G5	G4	G3	G2	G1	G0	B5	B4	B3	B2	B1	B0
Basic Color	Black	0	0	0	0	0	0	0	0	0	0	0	0	0	0	0	0	0	0
	Red(63)	1	1	1	1	1	1	0	0	0	0	0	0	0	0	0	0	0	0
	Green(63)	0	0	0	0	0	0	1	1	1	1	1	1	0	0	0	0	0	0
	Blue(63)	0	0	0	0	0	0	0	0	0	0	0	0	1	1	1	1	1	1
	Cyan	0	0	0	0	0	0	1	1	1	1	1	1	1	1	1	1	1	1
	Magenta	1	1	1	1	1	1	0	0	0	0	0	0	1	1	1	1	1	1
	Yellow	1	1	1	1	1	1	1	1	1	1	1	1	0	0	0	0	0	0
	White	1	1	1	1	1	1	1	1	1	1	1	1	1	1	1	1	1	1
Red	Black	0	0	0	0	0	0	0	0	0	0	0	0	0	0	0	0	0	0
	Red(1)	0	0	0	0	0	1	0	0	0	0	0	0	0	0	0	0	0	0
	Red(2)	0	0	0	0	1	0	0	0	0	0	0	0	0	0	0	0	0	0
	:	:	:	:	:	:	:	:	:	:	:	:	:	:	:	:	:	:	:
	Red(31)	0	1	1	1	1	1	0	0	0	0	0	0	0	0	0	0	0	0
	:	:	:	:	:	:	:	:	:	:	:	:	:	:	:	:	:	:	:
	Red(62)	1	1	1	1	1	0	0	0	0	0	0	0	0	0	0	0	0	0
	Red(63)	1	1	1	1	1	1	0	0	0	0	0	0	0	0	0	0	0	0
Green	Black	0	0	0	0	0	0	0	0	0	0	0	0	0	0	0	0	0	0
	Green(1)	0	0	0	0	0	0	0	0	0	0	0	1	0	0	0	0	0	0
	Green(2)	0	0	0	0	0	0	0	0	0	0	1	0	0	0	0	0	0	0
	:	:	:	:	:	:	:	:	:	:	:	:	:	:	:	:	:	:	:
	Green(31)	0	0	0	0	0	0	0	1	1	1	1	0	0	0	0	0	0	0
	:	:	:	:	:	:	:	:	:	:	:	:	:	:	:	:	:	:	:
	Green(62)	0	0	0	0	0	0	1	1	1	1	1	0	0	0	0	0	0	0
	Green(63)	0	0	0	0	0	0	1	1	1	1	1	1	0	0	0	0	0	0
Blue	Black	0	0	0	0	0	0	0	0	0	0	0	0	0	0	0	0	0	0
	Blue(1)	0	0	0	0	0	0	0	0	0	0	0	0	0	0	0	0	0	1
	Blue(2)	0	0	0	0	0	0	0	0	0	0	0	0	0	0	0	0	1	0
	:	:	:	:	:	:	:	:	:	:	:	:	:	:	:	:	:	:	:
	Blue(31)	0	0	0	0	0	0	0	0	0	0	0	0	0	1	1	1	1	1
	:	:	:	:	:	:	:	:	:	:	:	:	:	:	:	:	:	:	:
	Blue(62)	0	0	0	0	0	0	0	0	0	0	0	0	1	1	1	1	1	0
	Blue(63)	0	0	0	0	0	0	0	0	0	0	0	0	1	1	1	1	1	1

10 QUALITY AND RELIABILITY

10.2 TEST CONDITIONS

Tests should be conducted under the following conditions :

Ambient temperature : $25 \pm 5^{\circ}\text{C}$

Humidity : $60 \pm 25\% \text{ RH}$.

10.3 SAMPLING PLAN

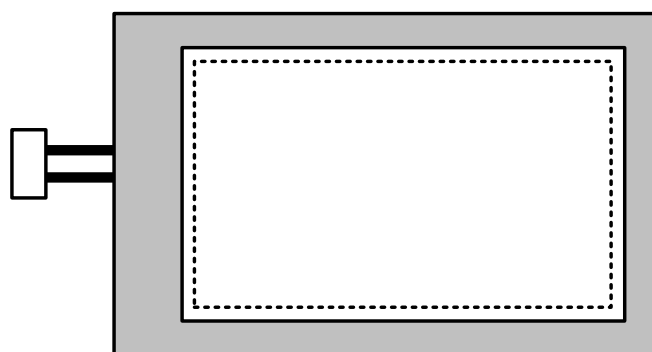
Sampling method shall be in accordance with MIL-STD-105E , level II, normal single sampling plan .

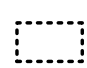
10.4 ACCEPTABLE QUALITY LEVEL

A major defect is defined as one that could cause failure to or materially reduce the usability of the unit for its intended purpose. A minor defect is one that does not materially reduce the usability of the unit for its intended purpose or is an infringement from established standards and has no significant bearing on its effective use or operation.

10.5 APPEARANCE

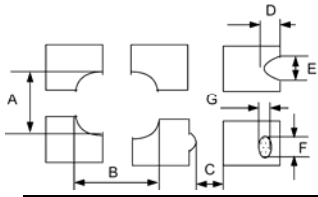
An appearance test should be conducted by human sight at approximately 30 cm distance from the LCD module under fluorescent light. The inspection area of LCD panel shall be within the range of following limits.



 Zone A (Active Area)

 Zone B (Viewing Area)

10.6 INSPECTION QUALITY CRITERIA

No.	Item	Criterion for defects	Defect type															
1	Non display	No non display is allowed	Major															
2	Irregular operation	No irregular operation is allowed	Major															
3	Short	No short are allowed	Major															
4	Open	Any segments or common patterns that don't activate are rejectable.	Major															
5	Black/White spot (I)	<table border="1"> <thead> <tr> <th>Size D (mm)</th> <th>Acceptable number</th> </tr> </thead> <tbody> <tr> <td>$D \leq 0.15$</td> <td>Ignore</td> </tr> <tr> <td>$0.15 < D \leq 0.20$</td> <td>3</td> </tr> <tr> <td>$0.20 < D \leq 0.30$</td> <td>2</td> </tr> <tr> <td>$0.30 < D$</td> <td>0</td> </tr> </tbody> </table>	Size D (mm)	Acceptable number	$D \leq 0.15$	Ignore	$0.15 < D \leq 0.20$	3	$0.20 < D \leq 0.30$	2	$0.30 < D$	0	Minor					
Size D (mm)	Acceptable number																	
$D \leq 0.15$	Ignore																	
$0.15 < D \leq 0.20$	3																	
$0.20 < D \leq 0.30$	2																	
$0.30 < D$	0																	
6	Black/White line (I)	<table border="1"> <thead> <tr> <th>Length(mm)</th> <th></th> <th>Acceptable number</th> </tr> </thead> <tbody> <tr> <td>$10 < L$</td> <td>$0.03 < W \leq 0.04$</td> <td>5</td> </tr> <tr> <td>$5.0 < L \leq 10$</td> <td>$0.04 < W \leq 0.06$</td> <td>3</td> </tr> <tr> <td>$1.0 < L \leq 5.0$</td> <td>$0.06 < W \leq 0.07$</td> <td>2</td> </tr> <tr> <td>$L \leq 1.0$</td> <td>$0.07 < W \leq 0.09$</td> <td>1</td> </tr> </tbody> </table>	Length(mm)		Acceptable number	$10 < L$	$0.03 < W \leq 0.04$	5	$5.0 < L \leq 10$	$0.04 < W \leq 0.06$	3	$1.0 < L \leq 5.0$	$0.06 < W \leq 0.07$	2	$L \leq 1.0$	$0.07 < W \leq 0.09$	1	Minor
Length(mm)		Acceptable number																
$10 < L$	$0.03 < W \leq 0.04$	5																
$5.0 < L \leq 10$	$0.04 < W \leq 0.06$	3																
$1.0 < L \leq 5.0$	$0.06 < W \leq 0.07$	2																
$L \leq 1.0$	$0.07 < W \leq 0.09$	1																
7	Black/White sport (II)	<table border="1"> <thead> <tr> <th>Size D (mm)</th> <th>Acceptable number</th> </tr> </thead> <tbody> <tr> <td>$D \leq 0.30$</td> <td>Ignore</td> </tr> <tr> <td>$0.30 < D \leq 0.50$</td> <td>5</td> </tr> <tr> <td>$0.50 < D \leq 1.20$</td> <td>3</td> </tr> <tr> <td>$1.20 < D$</td> <td>0</td> </tr> </tbody> </table>	Size D (mm)	Acceptable number	$D \leq 0.30$	Ignore	$0.30 < D \leq 0.50$	5	$0.50 < D \leq 1.20$	3	$1.20 < D$	0	Minor					
Size D (mm)	Acceptable number																	
$D \leq 0.30$	Ignore																	
$0.30 < D \leq 0.50$	5																	
$0.50 < D \leq 1.20$	3																	
$1.20 < D$	0																	
8	Black/White line (II)	<table border="1"> <thead> <tr> <th>Length (mm)</th> <th>Width (mm)</th> <th>Acceptable number</th> </tr> </thead> <tbody> <tr> <td>$20 < L$</td> <td>$0.05 < W \leq 0.07$</td> <td>5</td> </tr> <tr> <td>$10 < L \leq 20$</td> <td>$0.07 < W \leq 0.09$</td> <td>3</td> </tr> <tr> <td>$5.0 < L \leq 10$</td> <td>$0.09 < W \leq 0.10$</td> <td>2</td> </tr> <tr> <td>$L \leq 5.0$</td> <td>$0.10 < W \leq 0.15$</td> <td>1</td> </tr> </tbody> </table>	Length (mm)	Width (mm)	Acceptable number	$20 < L$	$0.05 < W \leq 0.07$	5	$10 < L \leq 20$	$0.07 < W \leq 0.09$	3	$5.0 < L \leq 10$	$0.09 < W \leq 0.10$	2	$L \leq 5.0$	$0.10 < W \leq 0.15$	1	Minor
Length (mm)	Width (mm)	Acceptable number																
$20 < L$	$0.05 < W \leq 0.07$	5																
$10 < L \leq 20$	$0.07 < W \leq 0.09$	3																
$5.0 < L \leq 10$	$0.09 < W \leq 0.10$	2																
$L \leq 5.0$	$0.10 < W \leq 0.15$	1																
9	Back Light	1. No Lighting is rejectable 2. Flickering and abnormal lighting are rejectable	Major															
10	Display pattern	 <p style="text-align: center;">Unit:mm</p> <table border="1"> <tbody> <tr> <td>$\frac{A+B}{2} \leq 0.30$</td> <td>$0 < C$</td> <td>$\frac{D+E}{2} \leq 0.25$</td> <td>$\frac{F+G}{2} \leq 0.25$</td> </tr> </tbody> </table> <p>Note: 1. Acceptable up to 3 damages 2. NG if there're to two or more pinholes per dot</p>	$\frac{A+B}{2} \leq 0.30$	$0 < C$	$\frac{D+E}{2} \leq 0.25$	$\frac{F+G}{2} \leq 0.25$	Minor											
$\frac{A+B}{2} \leq 0.30$	$0 < C$	$\frac{D+E}{2} \leq 0.25$	$\frac{F+G}{2} \leq 0.25$															

11	Blemish & Foreign matters Size: $D = \frac{A+B}{2}$	<table border="1"> <thead> <tr> <th>Size D (mm)</th> <th>Acceptable number</th> </tr> </thead> <tbody> <tr> <td>$D \leq 0.15$</td> <td>Ignore</td> </tr> <tr> <td>$0.15 < D \leq 0.20$</td> <td>3</td> </tr> <tr> <td>$0.20 < D \leq 0.30$</td> <td>2</td> </tr> <tr> <td>$0.30 < D$</td> <td>0</td> </tr> </tbody> </table>	Size D (mm)	Acceptable number	$D \leq 0.15$	Ignore	$0.15 < D \leq 0.20$	3	$0.20 < D \leq 0.30$	2	$0.30 < D$	0	Minor									
		Size D (mm)	Acceptable number																			
$D \leq 0.15$	Ignore																					
$0.15 < D \leq 0.20$	3																					
$0.20 < D \leq 0.30$	2																					
$0.30 < D$	0																					
<table border="1"> <thead> <tr> <th>Width (mm)</th> <th>Length (mm)</th> <th>Acceptable number</th> </tr> </thead> <tbody> <tr> <td>$W \leq 0.0$</td> <td>Ignore</td> <td>Ignore</td> </tr> <tr> <td>3</td> <td>$L \leq 2.0$</td> <td>Ignore</td> </tr> <tr> <td>$0.03 < W \leq 0.05$</td> <td>$L > 2.0$</td> <td>1</td> </tr> <tr> <td>$0.05 < W \leq 0.08$</td> <td>$L > 1.0$</td> <td>1</td> </tr> <tr> <td>$0.08 < W$</td> <td>$L \leq 1.0$</td> <td>Ignore</td> </tr> <tr> <td></td> <td>Note (1)</td> <td>Note(1)</td> </tr> </tbody> </table> <p>Note(1) Regard as a blemish</p>	Width (mm)	Length (mm)	Acceptable number	$W \leq 0.0$	Ignore	Ignore	3	$L \leq 2.0$	Ignore	$0.03 < W \leq 0.05$	$L > 2.0$	1	$0.05 < W \leq 0.08$	$L > 1.0$	1	$0.08 < W$	$L \leq 1.0$	Ignore		Note (1)	Note(1)	Minor
Width (mm)	Length (mm)	Acceptable number																				
$W \leq 0.0$	Ignore	Ignore																				
3	$L \leq 2.0$	Ignore																				
$0.03 < W \leq 0.05$	$L > 2.0$	1																				
$0.05 < W \leq 0.08$	$L > 1.0$	1																				
$0.08 < W$	$L \leq 1.0$	Ignore																				
	Note (1)	Note(1)																				
13	Bubble in polarizer	<table border="1"> <thead> <tr> <th>Size D (mm)</th> <th>Acceptable number</th> </tr> </thead> <tbody> <tr> <td>$D \leq 0.20$</td> <td>Ignore</td> </tr> <tr> <td>$0.20 < D \leq 0.50$</td> <td>3</td> </tr> <tr> <td>$0.50 < D \leq 0.80$</td> <td>2</td> </tr> <tr> <td>$0.80 < D$</td> <td>0</td> </tr> </tbody> </table>	Size D (mm)	Acceptable number	$D \leq 0.20$	Ignore	$0.20 < D \leq 0.50$	3	$0.50 < D \leq 0.80$	2	$0.80 < D$	0	Minor									
		Size D (mm)	Acceptable number																			
$D \leq 0.20$	Ignore																					
$0.20 < D \leq 0.50$	3																					
$0.50 < D \leq 0.80$	2																					
$0.80 < D$	0																					
14	Stains on LCD panel surface	Stains that cannot be removed even when wiped lightly with a soft cloth or similar cleaning too are rejectable.	Minor																			
15	Rust in Bezel	Rust which is visible in the bezel is rejectable.	Minor																			
16	Defect of land surface contact (poor soldering)	Evident crevices which is visible are rejectable.	Minor																			
17	Parts mounting	<ol style="list-style-type: none"> 1. Failure to mount parts 2. Parts not in the specifications are mounted 3. Polarity, for example, is reversed 	Major Major Major																			
18	Parts alignment	1. LSI, IC lead width is more than 50% beyond pad outline.	Minor																			
		2. Chip component is off center and more than 50% of the leads is off the pad outline.	Minor																			
19	Conductive foreign matter (Solder ball, Solder chips)	1. $0.45 < \phi$, $N \geq 1$	Major																			
		2. $0.30 < \phi \leq 0.45$, $N \geq 1$ ϕ : Average diameter of solder ball (unit: mm)	Minor																			
20	Faulty PCB correction	3. $0.50 < L$, $N \geq 1$ L: Average length of solder chip (unit: mm)	Minor																			
		<ol style="list-style-type: none"> 1. Due to PCB copper foil pattern burnout, the pattern is connected, using a jumper wire for repair; 2 or more places are corrected per PCB. 2. Short circuited part is cut, and no resist coating has been performed. 	Minor Minor																			

21	Defect Dot	The TFT panel may have bright dot or Dark dot. The acceptable number defection:				Minor
		Bright dot	Dark dot	Total dot	Distance between Dark-- dark	
		2	3	4	$L \geq 5$ mm	

11 Reliability test items (Note2):

No.	Test items	Conditions	Remark
1	High temperature storage	Ta=80°C 240Hrs	
2	Low temperature storage	Ta=-30°C 240Hrs	
3	High temperature operation	Ta=70°C 240Hrs	
4	Low temperature operation	Ta=-20°C 240Hrs	
5	High temperature and high humidity	Ta=40°C,85% RH 240Hrs	Operation
6	Heat shock	-30°C~80°C/200 cycles 1Hrs/cycle	Non-operation
7	Electrostatic discharge	±200V,200Pf(0Ω),once for each terminal	Non-operation
8	Vibration	Frequency range :8~33.3Hz Stoke :1.3mm Sweep :2.9G,33.3~400Hz Cycle :15 minutes 2 hours for each direction of X,Z 4 hours for Y direction	JIS C7021, A-10 Condition A
9	Mechanical shock	100G, 6ms,±X, ±Y,±Z 3 times for each direction	JIS C7021, A-7 Condition C
10	Vibration (With carton)	Random vibration: 0.015G ² /Hz from 5~200Hz -6dB/octave from 200~500Hz	IEC 68~34
11	Drop (with carton)	Height:60cm 1 corner,3 edges,6 surfaces	JIS Z0202

12 USE PRECAUTIONS

12.2 Handling precautions

- 1) The polarizing plate may break easily so be careful when handling it. Do not touch, press or rub it with a hard-material tool like tweezers.
- 2) Do not touch the polarizing plate surface with bare hands so as not to make it dirty. If the surface or other related part of the polarizing plate is dirty, soak a soft cotton cloth or chamois leather in benzene and wipe off with it. Do not use chemical liquids such as acetone, toluene and isopropyl alcohol. Failure to do so may bring chemical reaction phenomena and deteriorations.
- 3) Remove any spit or water immediately. If it is left for hours, the suffered part may deform or decolorize.
- 4) If the LCD element breaks and any LC stuff leaks, do not suck or lick it. Also if LC stuff is stuck on your skin or clothing, wash thoroughly with soap and water immediately.

12.3 Installing precautions

- 1) The PCB has many ICs that may be damaged easily by static electricity. To prevent breaking by static electricity from the human body and clothing, earth the human body properly using the high resistance and discharge static electricity during the operation. In this case, however, the resistance value should be approx. $1M\Omega$ and the resistance should be placed near the human body rather than the ground surface. When the indoor space is dry, static electricity may occur easily so be careful. We recommend the indoor space should be kept with humidity of 60% or more. When a soldering iron or other similar tool is used for assembly, be sure to earth it.
- 2) When installing the module and ICs, do not bend or twist them. Failure to do so may crack LC element and cause circuit failure.
- 3) To protect LC element, especially polarizing plate, use a transparent protective plate (e.g., acrylic plate, glass etc) for the product case.
- 4) Do not use an adhesive like a both-side adhesive tape to make LCD surface (polarizing plate) and product case stick together. Failure to do so may cause the polarizing plate to peel off.

12.4 Storage precautions

- 1) Avoid a high temperature and humidity area. Keep the temperature between 0°C and 35°C and also the humidity under 60%.
- 2) Choose the dark spaces where the product is not exposed to direct sunlight or

fluorescent light.

- 3) Store the products as they are put in the boxes provided from us or in the same conditions as we recommend.

12.5 Operating precautions

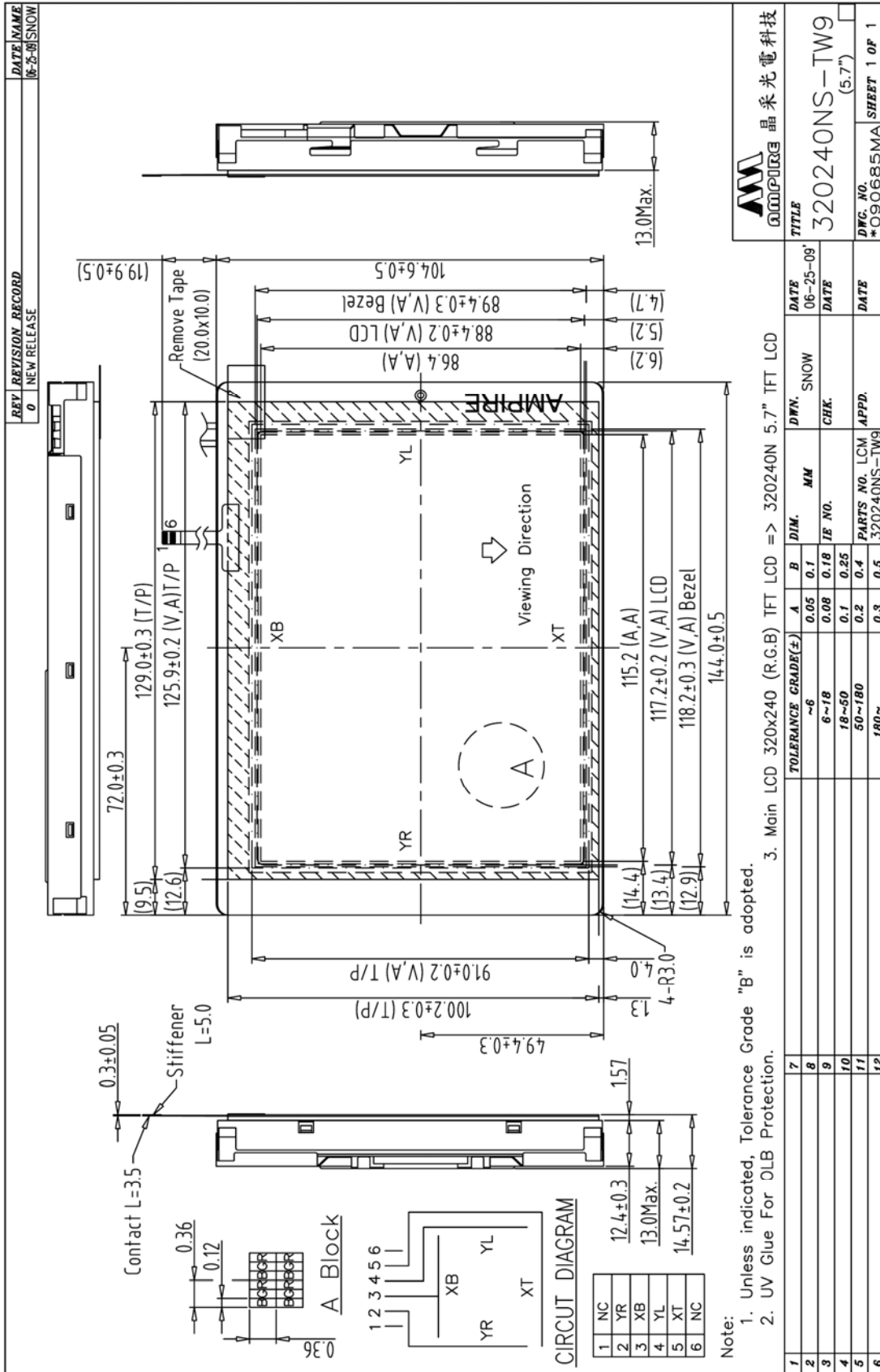
- 1) Do not boost the applied drive voltage abnormally. Failure to do so may break ICs. When applying power voltage, check the electrical features beforehand and be careful. Always turn off the power to the LC module controller before removing or inserting the LC module input connector. If the input connector is removed or inserted while the power is turned on, the LC module internal circuit may break.
- 2) The display response may be late if the operating temperature is under the normal standard, and the display may be out of order if it is above the normal standard. But this is not a failure; this will be restored if it is within the normal standard.
- 3) The LCD contrast varies depending on the visual angle, ambient temperature, power voltage etc. Obtain the optimum contrast by adjusting the LC drive voltage.
- 4) When carrying out the test, do not take the module out of the low-temperature space suddenly. Failure to do so will cause the module condensing, leading to malfunctions.
- 5) Make certain that each signal noise level is within the standard (L level: $0.2V_{dd}$ or less and H level: $0.8V_{dd}$ or more) even if the module has functioned properly. If it is beyond the standard, the module may often malfunction. In addition, always connect the module when making noise level measurements.
- 6) The CMOS ICs are incorporated in the module and the pull-up and pull-down function is not adopted for the input so avoid putting the input signal open while the power is ON.
- 7) The characteristic of the semiconductor element changes when it is exposed to light emissions, therefore ICs on the LCD may malfunction if they receive light emissions. To prevent these malfunctions, design and assemble ICs so that they are shielded from light emissions.
- 8) Crosstalk occurs because of characteristics of the LCD. In general, crosstalk occurs when the regularized display is maintained. Also, crosstalk is affected by the LC drive voltage. Design the contents of the display, considering crosstalk.

12.6 Other

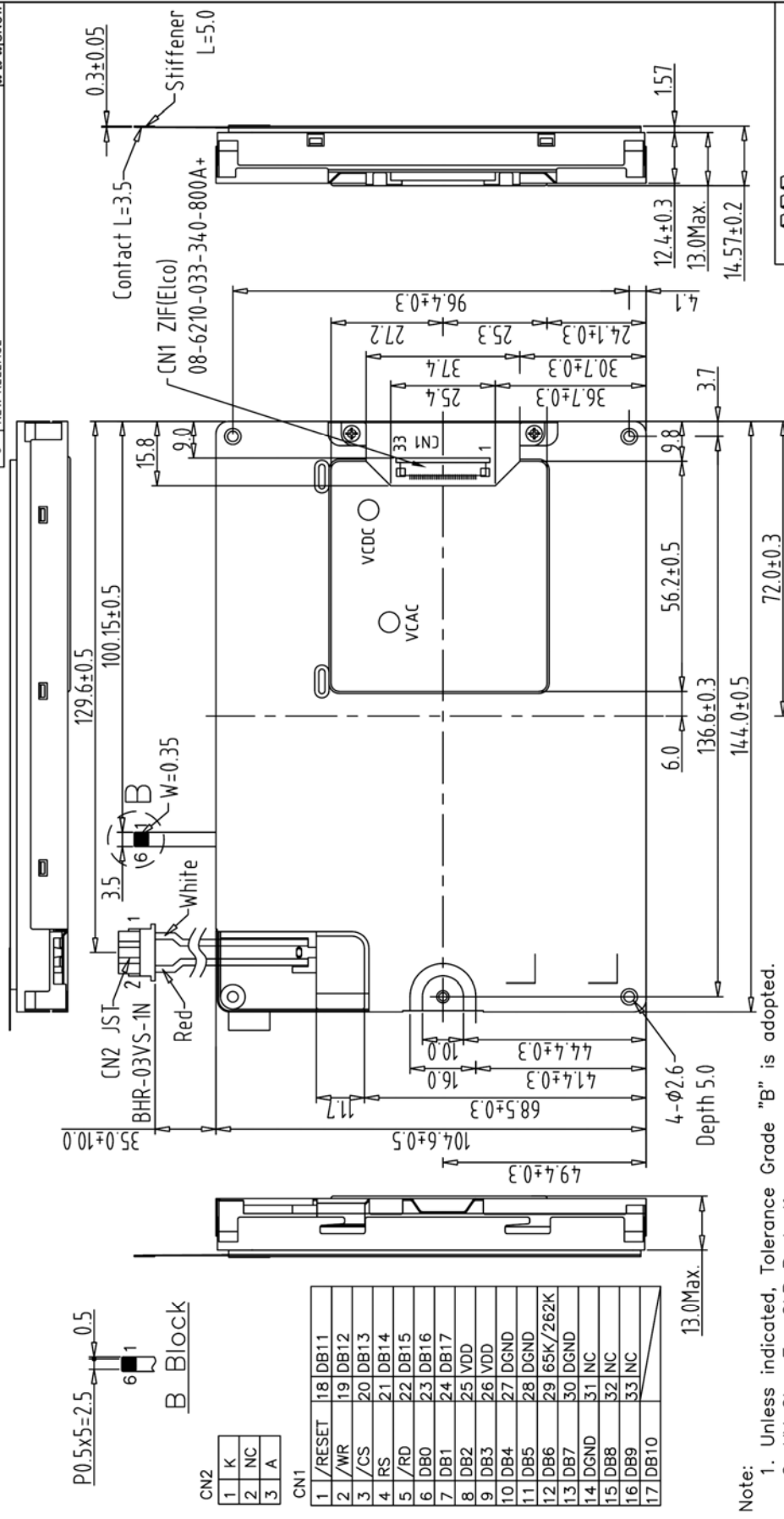
- 1) Do not disassemble or take the LC module into pieces. The LC modules once disassembled or taken into pieces are not the guarantee articles.
- 2) The residual image may exist if the same display pattern is shown for hours. This residual image, however, disappears when another display pattern is shown or the drive is interrupted and left for a while. But this is not a problem on reliability.
- 3) AMIPRE will provide one year warrantee for all products and three months warrantee for all repairing products.

13 OUTLINE DIMENSION

13.2 OUTLINE DIMENSION



REV. REVISION RECORD		DATE NAME
0	NEW RELEASE	06-25-09 SNOW



AMP 晶采光電科技

TITLE 320240NS-TW9 (5.7")

DWG. NO. *090686MA **SHEET** 1 OF 1

DATE	DATE	DWN.	MM	DIM.	MM	SNOW
06-25-09		CHK.				
		CHK.				

TOLERANCE GRADE(±)	A	B	MM	DATE
~6	0.05	0.1		
6~18	0.08	0.18		
18~50	0.1	0.25		
50~180	0.2	0.4	PARTS NO. LCM-1 APPD.	
180~	0.3	0.5	320240NS-TW9	

Note:

1. Unless indicated, Tolerance Grade "B" is adopted.
2. UV Glue For OLB Protection.
3. Main LCD 320x240 (R.G.B) TFT LCD =>320240N 5.7" TFT LCD