

Preliminary

The contents of this document are confidential and must not be disclosed wholly or in part to any third part without the prior written consent of AMPIRE CO., LTD



晶采光電科技股份有限公司
AMPIRE CO., LTD.

SPECIFICATIONS FOR LCD MODULE

CUSTOMER	
CUSTOMER PART NO.	
AMPIRE PART NO.	AM-1920720B1TZQW-00H
APPROVED BY	
DATE	

Approved For Specifications

Approved For Specifications & Sample

AMPIRE CO., LTD.

**4F., No.116, Sec. 1, Xintai 5th Rd., Xizhi Dist., New Taipei City 221,
Taiwan (R.O.C.)**

22181 新北市 汐止區 新台五路一段 116 號 4 樓(東方科學園區 A 棟)

TEL:886-2-26967269 , FAX:886-2-26967196 or 26967270

APPROVED BY	CHECKED BY	ORGANIZED BY

Preliminary

The contents of this document are confidential and must not be disclosed wholly or in part to any third part without the prior written consent of AMPIRE CO., LTD

RECORD OF REVISION

Revision Date	Page	Contents	Editor
2017/05/15	--	New Release	Mark
2017/12/04	8	Correct the NTSC information	Mark

Preliminary

The contents of this document are confidential and must not be disclosed wholly or in part to any third part without the prior written consent of AMPIRE CO., LTD

1. INTRODUCTION

12.3" color TFT-LCD (Thin Film Transistor Liquid Crystal Display) module composed of LCD panel, driver ICs ,control circuit and LED backlight. By applying 1920X720 images are displayed on the 12.3 " diagonal screen. Display 16.7M colors by R.G.B signal input.

2. PHYSICAL SPECIFICATIONS

Item	Specifications	Remark
LCD size	12.3 inch(Diagonal)	
Active area	292.032 (W) x 109.512 (H) mm	
Number of Pixels	1920(H) × 3 (RGB) × 720(V)	
Color arrangement	R.G.B-stripe	
Display mode	Normally Black	
Number of Colors	16.7M	
Brightness (cd/m ²)	650nit(min) / 850nit(typ)	
Response Time (ms)	35ms(Typ.)	
Contrast Ratio	1000:1(Typ.)	
Viewing Angle (CR ≥ 10)	170degree (Horizontal.)	
	170degree (Vertical)	
Driver element	Active matrix TFT in IPS technology	
Interface	LVDS	
Module Size (mm)	308.1 x 130.0 x 15.1mm	
Module Weight (g)	(520) (typ)	
Backlight Unit	LED	
Surface Treatment	Anti-Glare	

Preliminary

The contents of this document are confidential and must not be disclosed wholly or in part to any third part without the prior written consent of AMPIRE CO., LTD

3. ABSOLUTE MAX. RATINGS

The following are maximum values which, if exceeded, may cause faulty operation or damage to the unit.

Item	Symbol	Min.	Max.	Unit	Note
Supply voltage range	VCC	-0.3	3.6	V	
Voltage range at any terminal	VI	-0.3	VCC	V	
Operating Temperature	Top	-30	+85	°C	
Storage Temperature	Tstg	-30	+85	°C	

Note : All voltage values are with respect to the GND terminals unless otherwise noted.

Preliminary

The contents of this document are confidential and must not be disclosed wholly or in part to any third part without the prior written consent of AMPIRE CO., LTD

4. ELECTRICAL CHARACTERISTICS

4.1. Power Specification

Item	Symbol	Min.	Typ.	Max.	Unit	Note
Supply Voltage	VCC	3.0	3.3	3.6	V	
Input Signal Voltage	VIH	VCC*0.7		VCC	V	
	VIL	0		VCC*0.3	V	
VCC Current	ICC	--	--	400	mA	VCC =3.3V Note (1)
LVDS DRIVER DC SPECIFICATIONS						
Differential Output Voltage	VID	200	--	600	mV	RL=100ohm (2)
Common Mode Voltage	VCM	1	1.2	1.7	mV	
LVDS RECEIVER DC SPECIFICATIONS						
Differential Input High Threshold	VTH	--	--	+100	mV	(2)
Differential Input Low Threshold	VTL	-100	--	--	mV	

Note1: Ta=25°C , Display pattern :

- Typical :256 gray pattern



256 gray pattern

- Maximum: White Pattern

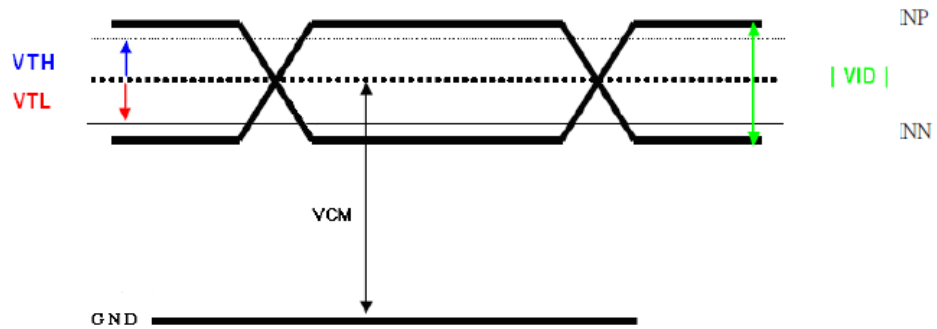


White Patter

Preliminary

The contents of this document are confidential and must not be disclosed wholly or in part to any third part without the prior written consent of AMPIRE CO., LTD

Note2: LVDS signal



Preliminary

The contents of this document are confidential and must not be disclosed wholly or in part to any third part without the prior written consent of AMPIRE CO., LTD

4.2. LED BACKLIGHT DRIVER UNIT

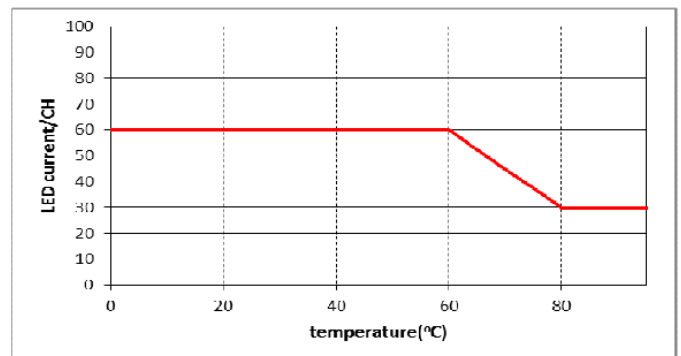
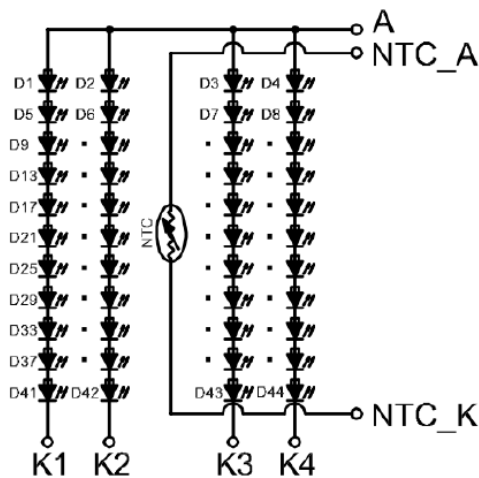
Item	Symbol	Min.	Typ.	Max.	Unit	Note
LED Forward Current	IF	--	240	--	mA	Ta=25°C
LED Forward Voltage	VF	--	35.2	--	V	Ta=25°C
LED Lifetime	--	30000	--	--	Hr	IF=60mA/series, Ta=25°C

Note (1) LED life time (Hr) can be defined as the time in which it continues to operate under the condition: Ta=25±3 °C, typical IL value indicated in the above table until the brightness becomes less than 50%.

Note (2) The “LED life time” is defined as the module brightness decrease to 50% original brightness at Ta=25°C and IL= 240 mA. The LED lifetime could be decreased if operating IL is larger than TDB mA. The constant current driving method is suggested.

Note (3) LED Light Bar Circuit 11S4P =44pcs LED

Note (4) LED temperature current curve, The temperature at 60 degrees before the output 60mA / CH, 60 degrees to 80 degrees when the linear drop to 30mA.



Preliminary

The contents of this document are confidential and must not be disclosed wholly or in part to any third part without the prior written consent of AMPIRE CO., LTD

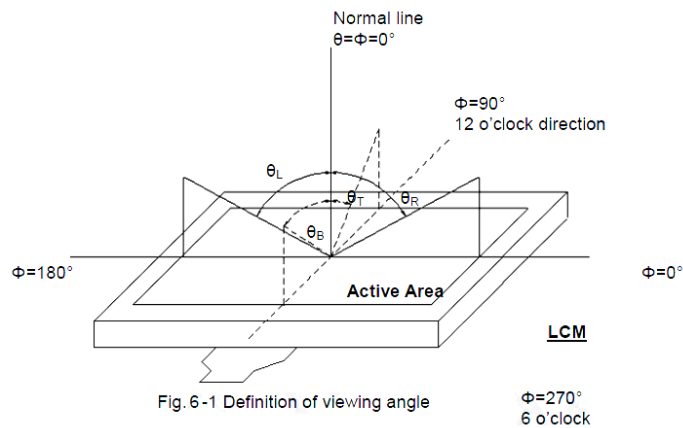
5. Optical Specifications

Item	Symbol	Condition	Values			Unit	Remark	
			Min	Typ	Max			
Viewing angle (CR≥ 10)	θ_L	$\theta=180^\circ$ (9 o'clock)	-	85	-	degree	Note 1	
	θ_R	$\theta=0^\circ$ (3 o'clock)	-	85	-			
	θ_T	$\theta=90^\circ$ (12 o'clock)	-	85	-			
	θ_B	$\theta=270^\circ$ (6 o'clock)	-	85	-			
Response time	T_r+T_f	Normal $\theta=\Phi=0^\circ$ Point-5	-	35	--	Msec	Note 2 Note 3	
Contrast ratio	CR		--	1000	-	-	Note 4	
Color chromaticity	W_x		Normal $\theta=\Phi=0^\circ$ Point-5	-0.05	0.313	+0.05	-	Note 2 Note 5 Note 6
	W_y				0.329			
	R_x	0.652						
	R_y	0.334						
	G_x	0.299						
	G_y	0.610						
	B_x	0.142						
	B_y	0.107						
Luminance	W_y	650	850		cd/m ²	Note 6		
Luminance uniformity	Y_U	--	70	-	%	Note 7		
NTSC	-	Point-5	-	70	-	%		

Test Conditions:

1. VDD=3.3V, IL=240 mA (Backlight current), the ambient temperature is 25°C.
2. The test systems refer to Note 2.

Note 1: Definition of viewing angle range



Preliminary

The contents of this document are confidential and must not be disclosed wholly or in part to any third part without the prior written consent of AMPIRE CO., LTD

Note 2: Definition of optical measurement system.

The optical characteristics should be measured in dark room. After 30 minutes operation, the optical properties are measured at the center point of the LCD screen. (Viewing angle is measured by ELDIM-EZ contrast/Height :1.2mm, Response time is measured by Photo detector TOPCON BM-7, other items are measured by BM-5A/ Field of view: 1° /Height: 500mm.)

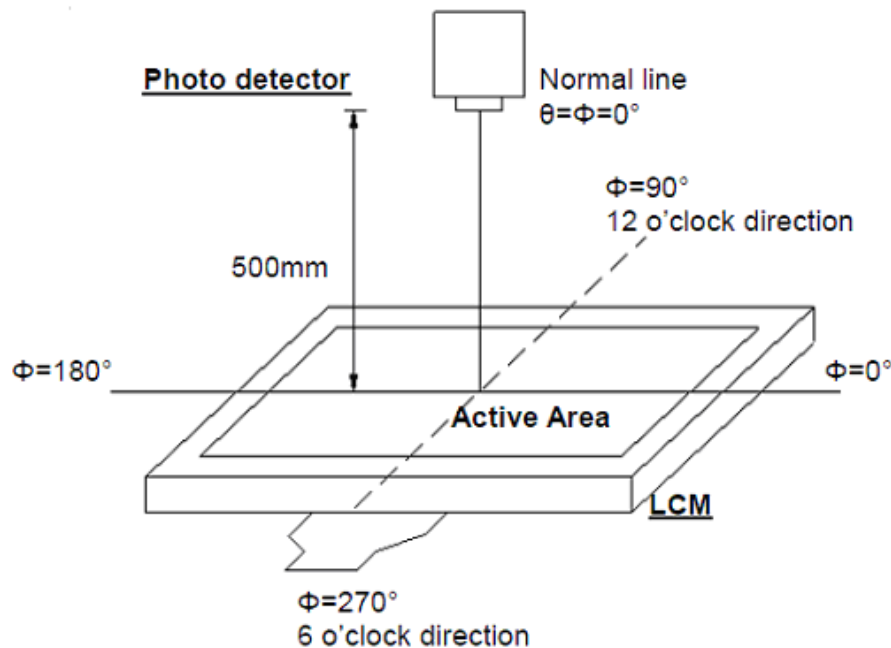


Fig. 6-2 Optical measurement system setup

Note 3: Definition of Response time

The response time is defined as the LCD optical switching time interval between "White" state and "Black" state. Rise time (T_{ON}) is the time between photo detector output intensity changed from 90% to 10%. And fall time (T_{OFF}) is the time between photo detector output intensity changed from 10% to 90%.

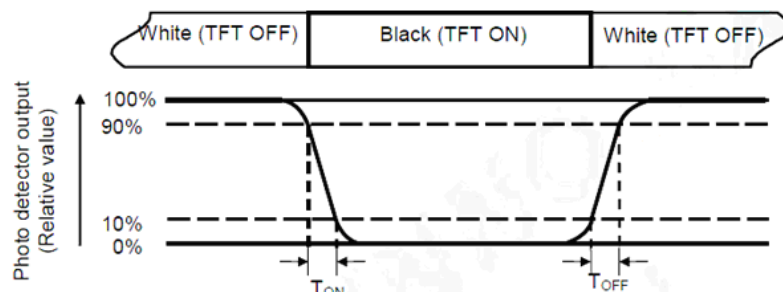


Fig. 6-3 Definition of response time

Preliminary

The contents of this document are confidential and must not be disclosed wholly or in part to any third part without the prior written consent of AMPIRE CO., LTD

Note 4: Definition of contrast ratio

$$\text{Contrast ratio (CR)} = \frac{\text{Brightness @ "White" state}}{\text{Brightness @ "Black" state}}$$

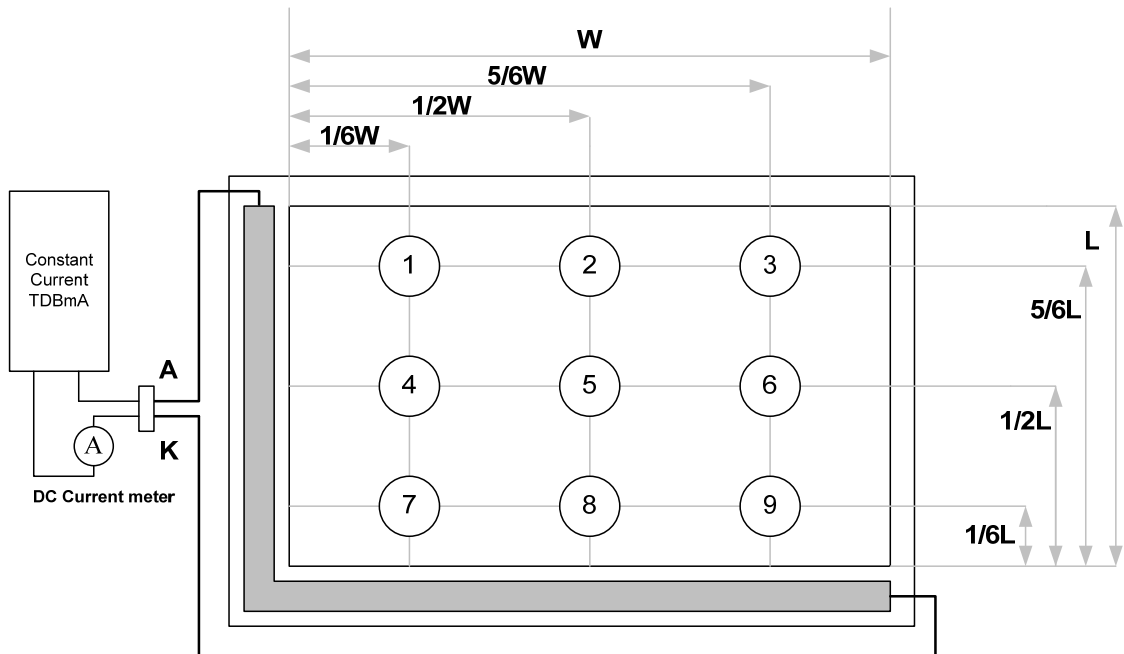
Note 5: Definition of color chromaticity (CIE1931)

Color coordinates measured at center point of LCD.

Note 6: All input terminals LCD panel must be ground while measuring the center area of the panel. The LED driving condition is $I_L=350$ mA.

Note 7: Definition of Luminance Uniformity

$$\text{Luminance Uniformity (Yu)} = \frac{B_{min}}{B_{max}}$$



B_{max} : The measured maximum luminance of all measurement position.

B_{min} : The measured minimum luminance of all measurement position.

Preliminary

The contents of this document are confidential and must not be disclosed wholly or in part to any third part without the prior written consent of AMPIRE CO., LTD

6. INTERFACE**6.1. CN1: AORORA F31L-1A7H1-21050 , 50PIN or Equivalent**

Pin No.	Symbol	I/O	Description	Note
1	GND	P	Power ground	
2	NC	-	No connection	
3	VDD	P	Power supply for digital circuit (3.3V)	
4	VDD	P	Power supply for digital circuit (3.3V)	
5	GND	P	Power ground	
6	GND	P	Power ground	
7	NC	-	No connection	
8	NC	-	No connection	
9	GND	P	Power ground	
10	ORXIN0-	I	Odd pixel negative LVDS differential data inputs	
11	ORXIN0+	I	Odd pixel positive LVDS differential data inputs	
12	ORXIN1-	I	Odd pixel negative LVDS differential data inputs	
13	ORXIN1+	I	Odd pixel positive LVDS differential data inputs	
14	ORXIN2-	I	Odd pixel negative LVDS differential data inputs	
15	ORXIN2+	I	Odd pixel positive LVDS differential data inputs	
16	ORXCLKIN-	I	Odd pixel negative LVDS differential clock inputs	
17	ORXCLKIN+	I	Odd pixel positive LVDS differential clock inputs	
18	ORXIN3-	I	Odd pixel negative LVDS differential data inputs	
19	ORXIN3+	I	Odd pixel positive LVDS differential data inputs	
20	ERXIN0-	I	Even pixel negative LVDS differential data inputs	
21	ERXIN0+	I	Even pixel positive LVDS differential data inputs	
22	ERXIN1-	I	Even pixel negative LVDS differential data inputs	
23	ERXIN1+	I	Even pixel positive LVDS differential data inputs	
24	ERXIN2-	I	Even pixel negative LVDS differential data inputs	
25	ERXIN2+	I	Even pixel positive LVDS differential data inputs	
26	ERXCLKIN-	I	Even pixel negative LVDS differential clock inputs	
27	ERXCLKIN+	I	Even pixel positive LVDS differential clock inputs	
28	ERXIN3-	I	Even pixel negative LVDS differential data inputs	
29	ERXIN3+	I	Even pixel positive LVDS differential data inputs	
30	GND	P	Power ground	
31	NC	-	No connection	
32	RESETB	-	Global reset pin, active low.	
33	STBYB	-	Standby mode, active low.	
34	CA3	-	Cascade signal pin. Abnormal signal detection indicator. Combine HV/DE/Clock/STV/UVP detection result.	
35	NC	-	No connection	
36	NC	-	No connection	
37	NC	-	No connection	
38	GND	P	Power ground	
39	GND	P	Power ground	
40	NC	-	No connection	
41	LEDA	P	Anode	
42	LEDA	P	Anode	
43	LEDA	P	Anode	
44	NC	-	No connection	
45	LEDK1	I	Cathode 2	
46	LEDK2	-	Cathode 3	

Preliminary

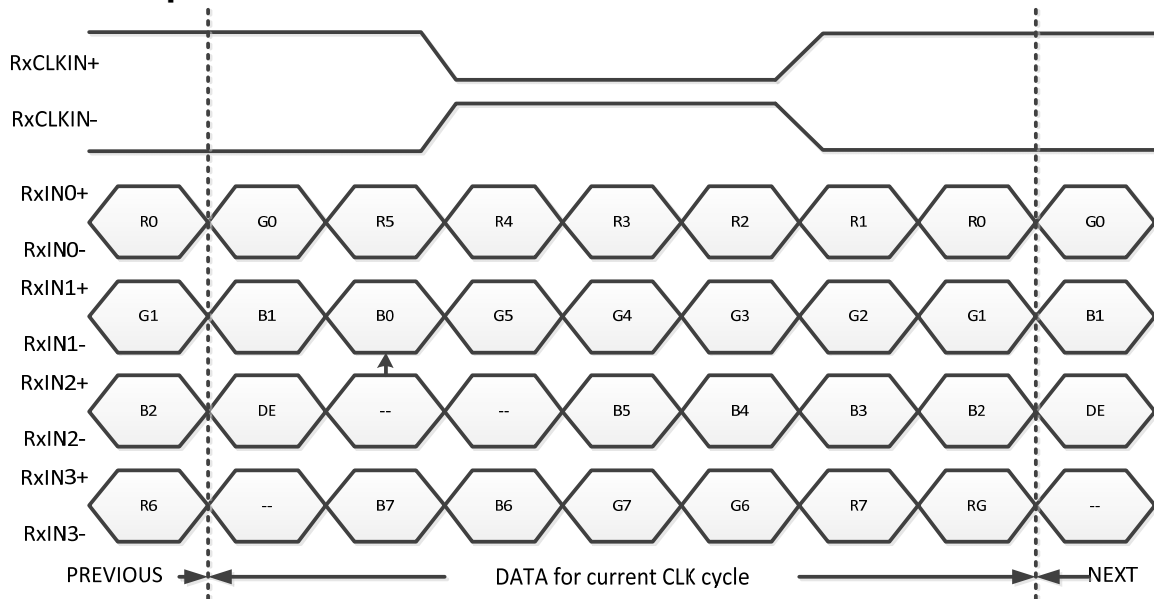
The contents of this document are confidential and must not be disclosed wholly or in part to any third part without the prior written consent of AMPIRE CO., LTD

47	LEDK3	-	Cathode 4	
48	LEDK4	-	Cathode 5	
49	NTC_A	-	No function. Without NTC Thermistor	
50	NTC_K	-	No function. Without NTC Thermistor	

Preliminary

The contents of this document are confidential and must not be disclosed wholly or in part to any third part without the prior written consent of AMPIRE CO., LTD

7. LVDS Input Data Format



Note : R/G/B data 7 : MSB, R/G/B data 0 : LSB

Signal Name	Description	Remark
R7 R6 R5 R4 R3 R2 R1 R0	Red Data 7 (MSB) Red Data 6 Red Data 5 Red Data 4 Red Data 3 Red Data 2 Red Data 1 Red Data 0 (LSB)	Red-pixel Data Each red pixel's brightness data consists of these 8 bits pixel data.
G7 G6 G5 G4 G3 G2 G1 G0	Green Date 7 (MSB) Green Date 6 Green Date 5 Green Date 4 Green Date 3 Green Date 2 Green Date 1 Green Date 0 (LSB)	
B7 B6 B5 B4 B3 B2 B1 B0	Blue Data 7 (MSB) Blue Data 6 Blue Data 5 Blue Data 4 Blue Data 3 Blue Data 2 Blue Data 1 Blue Data 0 (LSB)	
RxCLKIN+ RxCLKIN-	LVDS Clock Input	
DE	Display Enable	
VS	Vertical Sync	
HS	Horizontal Sync	

Preliminary

The contents of this document are confidential and must not be disclosed wholly or in part to any third part without the prior written consent of AMPIRE CO., LTD

8. AC Timing characteristic

8.1. AC Timing characteristic of LVDS

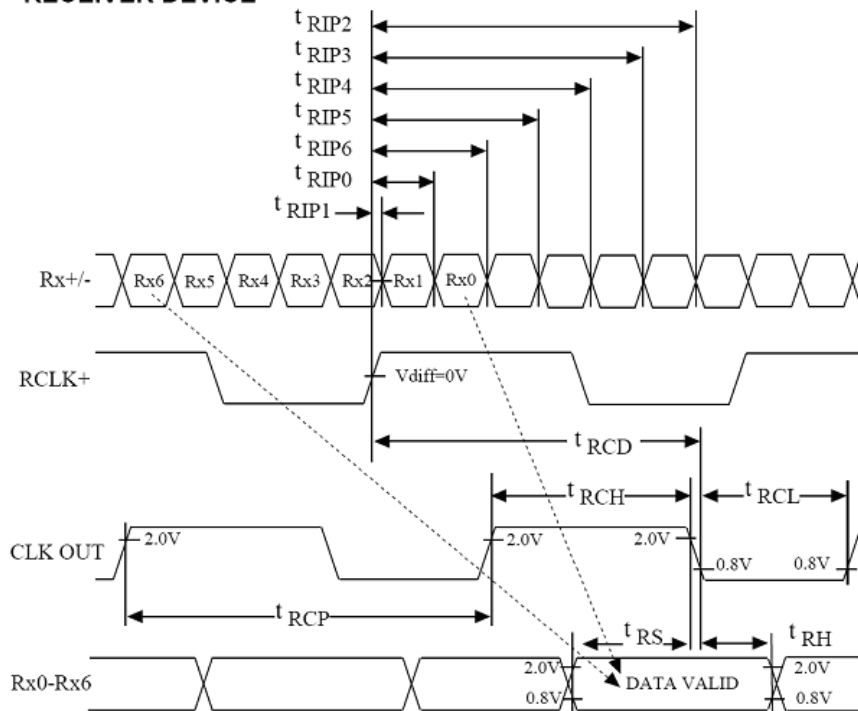
Switching Characteristics

$V_{cc} = 3.0 - 3.6V, T_a = -10 - +70\text{ }^\circ\text{C}$

RECEIVER

t_{RCP}	CLK OUT Period	11.76	T	50.0	ns
t_{RCH}	CLK OUT High Time		4T/7		ns
t_{RCL}	CLK OUT Low Time		3T/7		ns
t_{RCD}	RCLK+/- to CLK OUT Delay		5T/7		ns
t_{RS}	TTL Data Setup to CLK OUT	3T/7-2.5			ns
t_{RH}	TTL Data Hold from CLK OUT	4T/7-3.5			ns
t_{TLH}	TTL Low to High Transition Time		3.0	5.0	ns
t_{THL}	TTL High to Low Transition Time		3.0	5.0	ns
t_{RIP1}	Input Data Position 0 (T=11.76ns)	-0.4	0.0	0.4	ns
t_{RIP0}	Input Data Position 1 (T=11.76ns)	T/7-0.4	T/7	T/7+0.4	ns
t_{RIP6}	Input Data Position 2 (T=11.76ns)	2T/7-0.4	2T/7	2T/7+0.4	ns
t_{RIP5}	Input Data Position 3 (T=11.76ns)	3T/7-0.4	3T/7	3T/7+0.4	ns
t_{RIP4}	Input Data Position 4 (T=11.76ns)	4T/7-0.4	4T/7	4T/7+0.4	ns
t_{RIP3}	Input Data Position 5 (T=11.76ns)	5T/7-0.4	5T/7	5T/7+0.4	ns
t_{RIP2}	Input Data Position 6 (T=11.76ns)	6T/7-0.4	6T/7	6T/7+0.4	ns
t_{RPLL}	Phase Lock Loop Set			10.0	ms

RECEIVER DEVICE

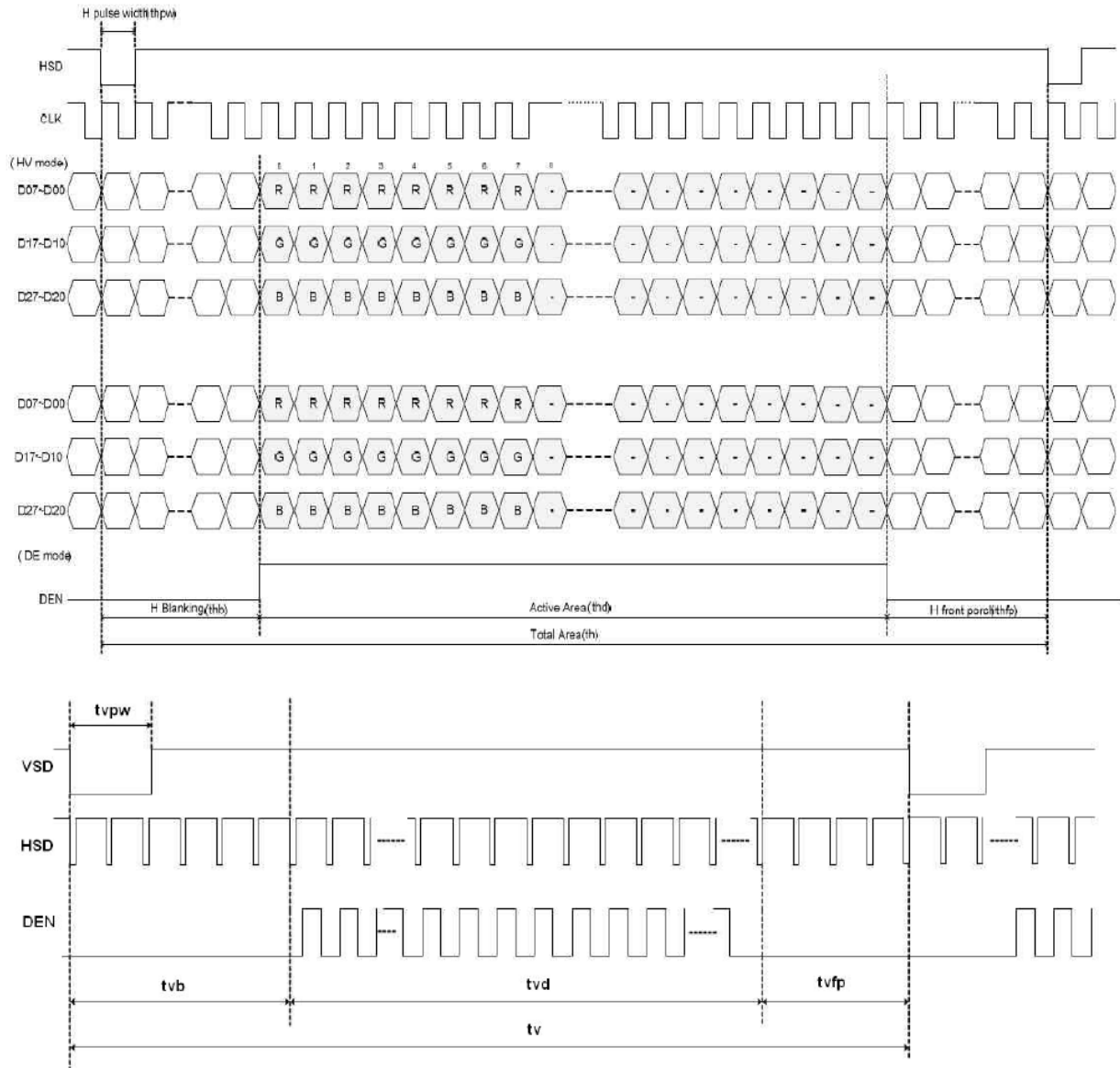


Note:
1) $V_{diff} = (RA+) - (RA-), \dots (RCLK+) - (RCLK-)$

Preliminary

The contents of this document are confidential and must not be disclosed wholly or in part to any third part without the prior written consent of AMPIRE CO., LTD

8.2. Timing characteristic of Panel (DE only mode)

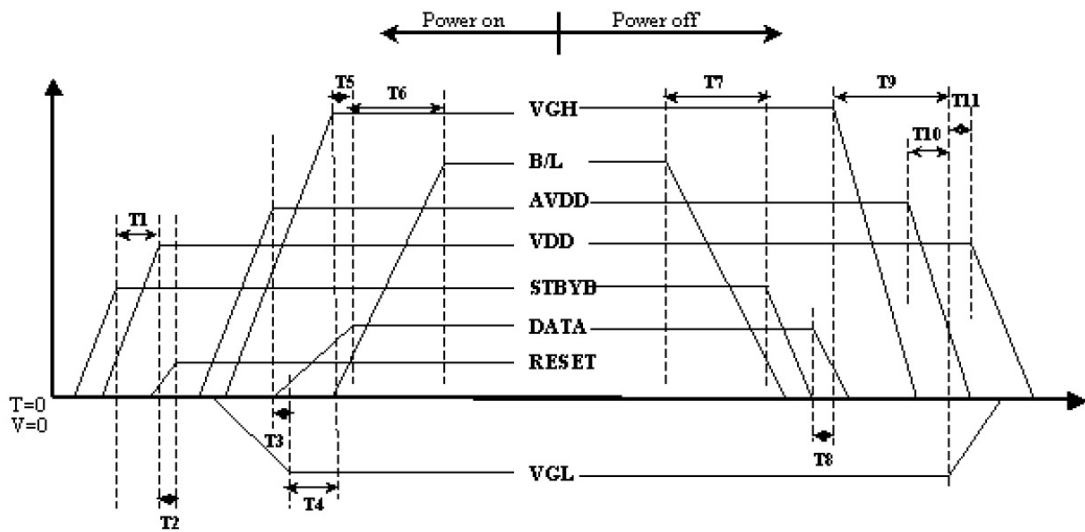


Parameter	Symbol	Value			Unit
		Min.	Typ.	Max.	
DCLK frequency	fclk	--	47.1	--	Mhz
Horizontal display area	thd	960			DCLK
Horizontal pulse width	thpw	3	16	--	DCLK
Horizontal back porch	thbp	8	24	--	DCLK
Horizontal front porch	thfp	16	24	--	DCLK
1 Horizontal line	th	984	1000	--	DCLK
Vertical display area	tvd	720			H
Vertical pulse width	tvpw	1	7	--	H
Vertical back porch	tvbp	2	8	--	H
Vertical front porch	tvfp	8	57	--	H
1 Vertical field frame	tv	731	792	--	H
Frame rate	FR	60			Hz

Preliminary

The contents of this document are confidential and must not be disclosed wholly or in part to any third part without the prior written consent of AMPIRE CO., LTD

8.3. Power ON/OFF Timing



Item	Min.	Typ.	Max.	Unit
T1	0	--	--	ms
T2	50	--	--	ms
T3	5	--	--	ms
T4	10	--	--	ms
T5	20	--	--	ms
T6	50	--	--	ms
T7	20	--	--	ms
T8	10	--	--	ms
T9	20	--	--	ms
T10	10	--	--	ms
T11	20	--	--	ms

Preliminary

The contents of this document are confidential and must not be disclosed wholly or in part to any third part without the prior written consent of AMPIRE CO., LTD

9. RELIABILITY TEST CONDITIONS

Test Item	Test Conditions	Note
High Temperature Operation	85±3°C , t=1000 hrs	
Low Temperature Operation	-30±3°C , t=1000 hrs	
High Temperature Storage	85±3°C , t=1000 hrs	1,2
Low Temperature Storage	-30±3°C , t=1000 hrs	1,2
Thermal Shock Test	-30°C ~ 85°C 30 min. ~ 30 min. (1 cycle) Total 100cycle	1,2
Humidity Test	60 °C, Humidity 90%, 1000 hrs	1,2
Vibration Test	1.Random: 1.04G, 10~500Hz, XYZ, 30min/each direction 2.Sine: Freq.1.5G, 8~33.3Hz, Stoke: 1.3mmhz Sweep: 2.9G, 333.3~400 X/Z: 2hrs, Y:4hrs	2
Vibration Test (Packing)	Random: 0.015G ² /Hz, 5~200Hz -6dB/Octave, 200~400Hz XYZ 2hrs	
Image Sticking	25 °C ± 2 °C ; 2&4hrs	3

Note 1 : Condensation of water is not permitted on the module.

Note 2 : The module should be inspected after 1 hour storage in normal conditions
(15-35°C , 45-65%RH).

Definitions of life end point :

- Current drain should be smaller than the specific value.
- Function of the module should be maintained.
- Appearance and display quality should not have degraded noticeably.
- Contrast ratio should be greater than 50% of the initial value.

Preliminary

The contents of this document are confidential and must not be disclosed wholly or in part to any third part without the prior written consent of AMPIRE CO., LTD

Note 3 : Condition of Image Sticking test : $25\text{ }^{\circ}\text{C} \pm 2\text{ }^{\circ}\text{C}$

Operation with test pattern sustained for 2 and 4 hrs, then change to gray pattern immediately. After 5 mins, the mura must be disappeared completely .

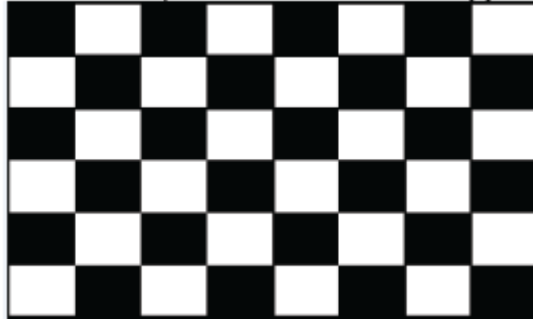


Image Sticking -pattern



256-Gray pattern

Preliminary

The contents of this document are confidential and must not be disclosed wholly or in part to any third part without the prior written consent of AMPIRE CO., LTD

10. USE PRECAUTIONS

10.1. Handling precautions

- 1) The polarizing plate may break easily so be careful when handling it. Do not touch, press or rub it with a hard-material tool like tweezers.
- 2) Do not touch the polarizing plate surface with bare hands so as not to make it dirty. If the surface or other related part of the polarizing plate is dirty, soak a soft cotton cloth or chamois leather in benzine and wipe off with it. Do not use chemical liquids such as acetone, toluene and isopropyl alcohol. Failure to do so may bring chemical reaction phenomena and deteriorations.
- 3) Remove any spit or water immediately. If it is left for hours, the suffered part may deform or decolorize.
- 4) If the LCD element breaks and any LC stuff leaks, do not suck or lick it. Also if LC stuff is stuck on your skin or clothing, wash thoroughly with soap and water immediately.

10.2. Installing precautions

- 1) The PCB has many ICs that may be damaged easily by static electricity. To prevent breaking by static electricity from the human body and clothing, earth the human body properly using the high resistance and discharge static electricity during the operation. In this case, however, the resistance value should be approx. $1M\Omega$ and the resistance should be placed near the human body rather than the ground surface. When the indoor space is dry, static electricity may occur easily so be careful. We recommend the indoor space should be kept with humidity of 60% or more. When a soldering iron or other similar tool is used for assembly, be sure to earth it.
- 2) When installing the module and ICs, do not bend or twist them. Failure to do so may crack LC element and cause circuit failure.
- 3) To protect LC element, especially polarizing plate, use a transparent protective plate (e.g., acrylic plate, glass etc) for the product case.
- 4) Do not use an adhesive like a both-side adhesive tape to make LCD surface (polarizing plate) and product case stick together. Failure to do so may cause the polarizing plate to peel off.

Preliminary

The contents of this document are confidential and must not be disclosed wholly or in part to any third part without the prior written consent of AMPIRE CO., LTD

10.3. Storage precautions

- 1) Avoid a high temperature and humidity area. Keep the temperature between 0°C and 35°C and also the humidity under 60%.
- 2) Choose the dark spaces where the product is not exposed to direct sunlight or fluorescent light.
- 3) Store the products as they are put in the boxes provided from us or in the same conditions as we recommend.

10.4. Operating precautions

- 1) Do not boost the applied drive voltage abnormally. Failure to do so may break ICs. When applying power voltage, check the electrical features beforehand and be careful. Always turn off the power to the LC module controller before removing or inserting the LC module input connector. If the input connector is removed or inserted while the power is turned on, the LC module internal circuit may break.
- 2) The display response may be late if the operating temperature is under the normal standard, and the display may be out of order if it is above the normal standard. But this is not a failure; this will be restored if it is within the normal standard.
- 3) The LCD contrast varies depending on the visual angle, ambient temperature, power voltage etc. Obtain the optimum contrast by adjusting the LC drive voltage.
- 4) When carrying out the test, do not take the module out of the low-temperature space suddenly. Failure to do so will cause the module condensing, leading to malfunctions.
- 5) Make certain that each signal noise level is within the standard (L level: 0.2V_{dd} or less and H level: 0.8V_{dd} or more) even if the module has functioned properly. If it is beyond the standard, the module may often malfunction. In addition, always connect the module when making noise level measurements.
- 6) The CMOS ICs are incorporated in the module and the pull-up and pull-down function is not adopted for the input so avoid putting the input signal open while the power is ON.
- 7) The characteristic of the semiconductor element changes when it is exposed to light emissions, therefore ICs on the LCD may malfunction if they receive light emissions. To prevent these malfunctions, design and assemble ICs so that they are shielded from light emissions.

Preliminary

The contents of this document are confidential and must not be disclosed wholly or in part to any third part without the prior written consent of AMPIRE CO., LTD

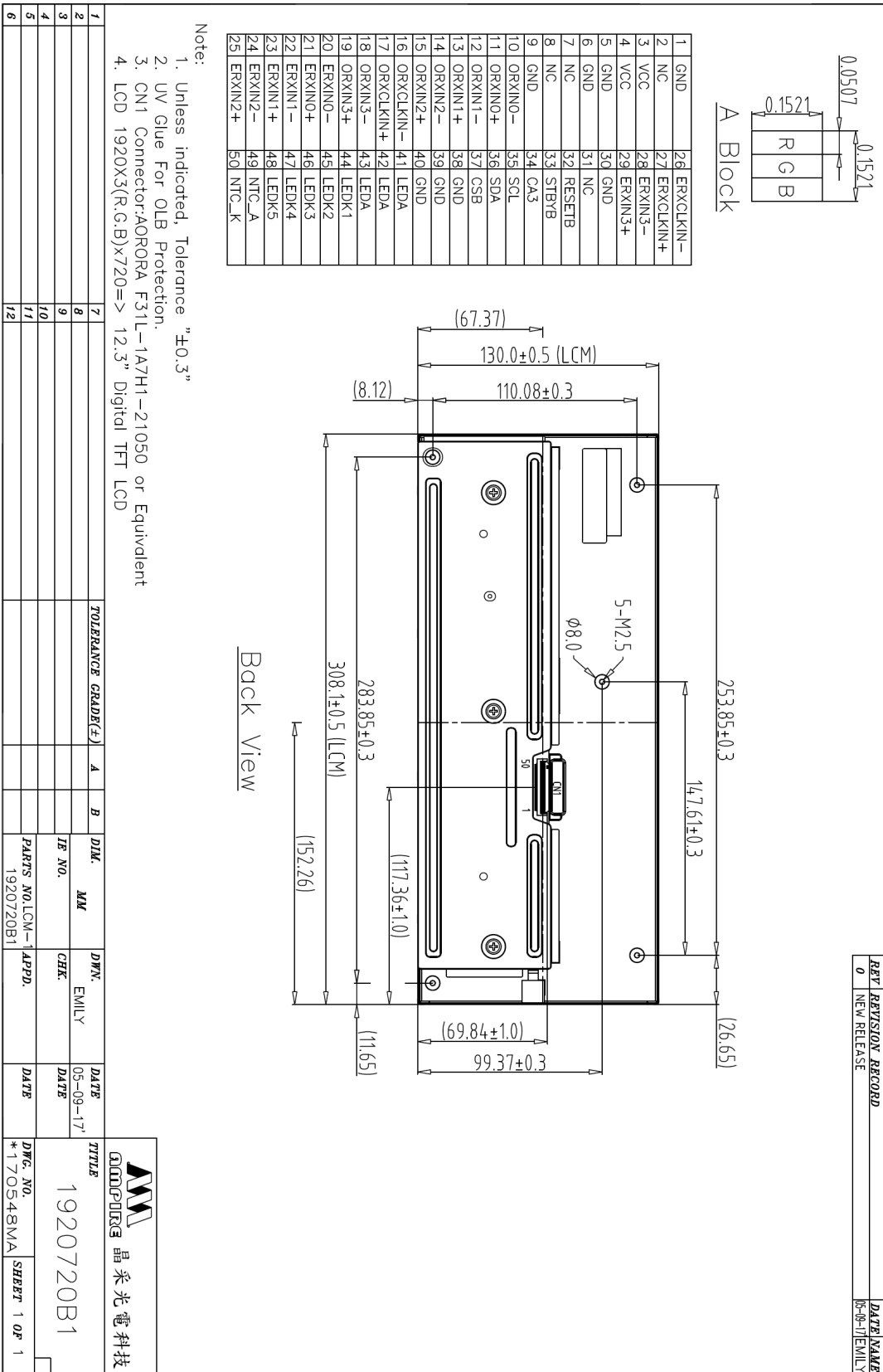
- 8) Crosstalk occurs because of characteristics of the LCD. In general, crosstalk occurs when the regularized display is maintained. Also, crosstalk is affected by the LC drive voltage. Design the contents of the display, considering crosstalk.

10.5. Other

- 1) Do not disassemble or take the LC module into pieces. The LC modules once disassembled or taken into pieces are not the guarantee articles.
- 2) Do not keep the LCD at the same display pattern continually. The residual image will happen and it will damage the LCD. Please use screen saver.
- 3) AMIPRE will provide one year warrantee for all products and three months warrantee for all repairing products.

Preliminary

The contents of this document are confidential and must not be disclosed wholly or in part to any third part without the prior written consent of AMPIRE CO., LTD



Note:
 1. Unless indicated, Tolerance "±0.3"
 2. UV Glue For OLB Protection.
 3. CN1 Connector: AORORA F31L-1A7H1-21050 or Equivalent
 4. LCD 1920X3(R.G.B)X720 => 12.3" Digital TFT LCD