



晶采光電科技股份有限公司  
AMPIRE CO., LTD.

## SPECIFICATIONS FOR LCD MODULE

<b>CUSTOMER</b>	
<b>CUSTOMER PART NO.</b>	
<b>AMPIRE PART NO.</b>	<b>AM-1024768Q1TMQW-00H</b>
<b>APPROVED BY</b>	
<b>DATE</b>	

Approved For Specifications

Approved For Specifications & Sample

**AMPIRE CO., LTD.**

**4F., No.116, Sec. 1, Xintai 5th Rd., Xizhi Dist., New Taipei  
City221, Taiwan (R.O.C.)**

**新北市汐止區新台五路一段 116 號 4 樓(東方科學園區 A 棟)**

**TEL:886-2-26967269 , FAX:886-2-26967196 or 26967270**

APPROVED BY	CHECKED BY	ORGANIZED BY

## RECORD OF REVISION

Revision Date	Page	Contents	Editor
2013/02/25	--	New Release	Bob
2013/10/02	--	Correction module for the new version pin define	--
2013/10/04	--	Correction module for the Outline Dimensions	--
2013/12/25	3	Correct the Product Summary	Rober
2014/12/3	3	Add <b>Viewing Direction: 6 o'clock ( Gray Inversion )</b>	Mark

## 1.0 General Descriptions

### 1.1 Introduction

The LCM is a color active matrix thin film transistor (TFT) liquid crystal display (LCD) that uses amorphous silicon TFT as a switching device. It is composed of a TFT LCD panel, a backlight system, column driver and row driver circuit. This TFT LCD has a 15.0-inch diagonally measured active display area with resolution (1024 horizontal by 768 vertical pixels array).

### 1.2 Features

- 15.0" TFT LCD Panel
- LED Backlight System
- Supported XGA (1024x768 pixels) resolution
- Compatible with RoHS Standard
- Viewing Direction: 6 o'clock ( Gray Inversion )

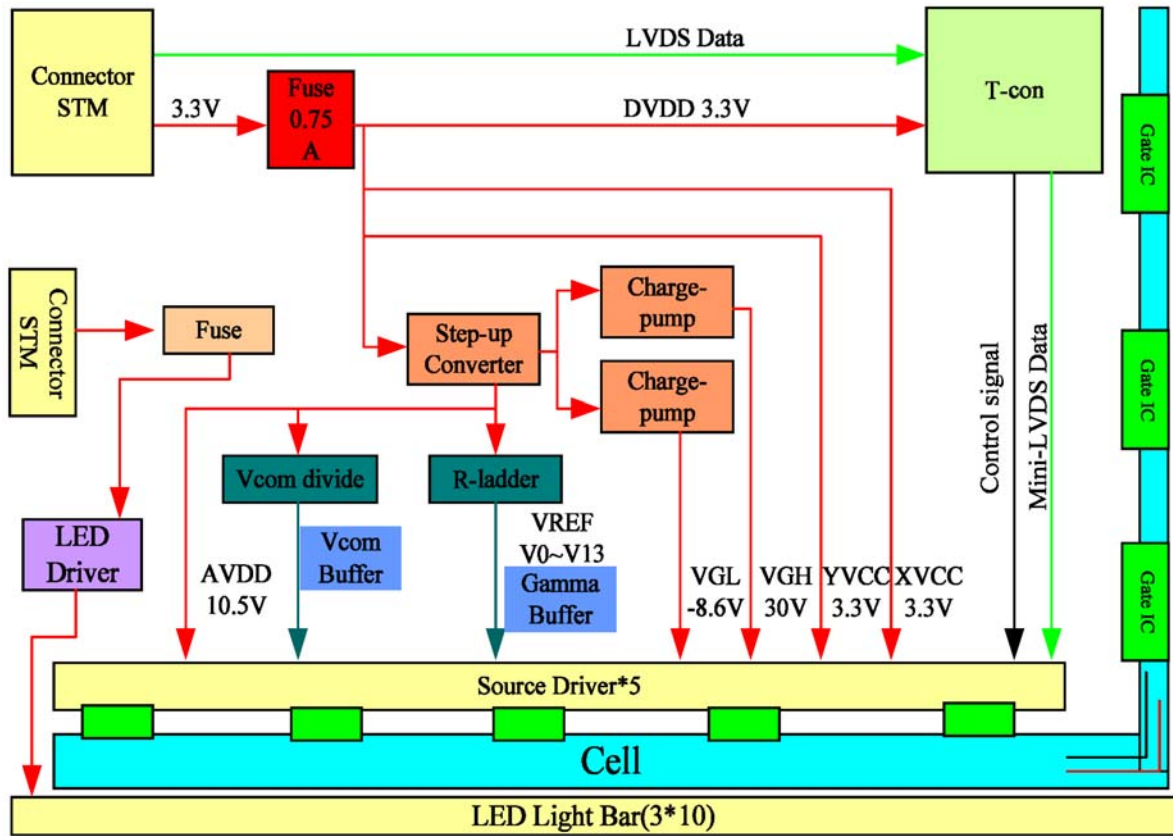
### 1.3 Product Summary

Items	Specifications	Unit
Screen Diagonal	15.0	inch
Active Area	304.128(H) x 228.096(V)	mm
Pixel Format	1,024(RGB) x768	pixel
Pixel Pitch	0.297(H) x 0.297(V)	mm
Pixel Arrangement	R.G.B. Vertical Stripe	-
Display Mode	Normally White	-
White Luminance	420(Typ)	cd /m2
Contrast Ratio	800 : 1 (Typ)	-
Response Time	16	msec
Outline Dimensions	326.5(H)x253.5(V)x12.0(D) Typ.	mm
Electrical Interface (Logic)	LVDS	-
Support Color	16.7M	-
Surface Treatment	Anti-glare, Hard-Coating (3H)	-

### 1.4 Functional Block Diagram

Shows the functional block diagram of the LCD module.

Figure 1 Block Diagram



## 2.0 Absolute Maximum Ratings

Table 1 Absolute Ratings of Environment

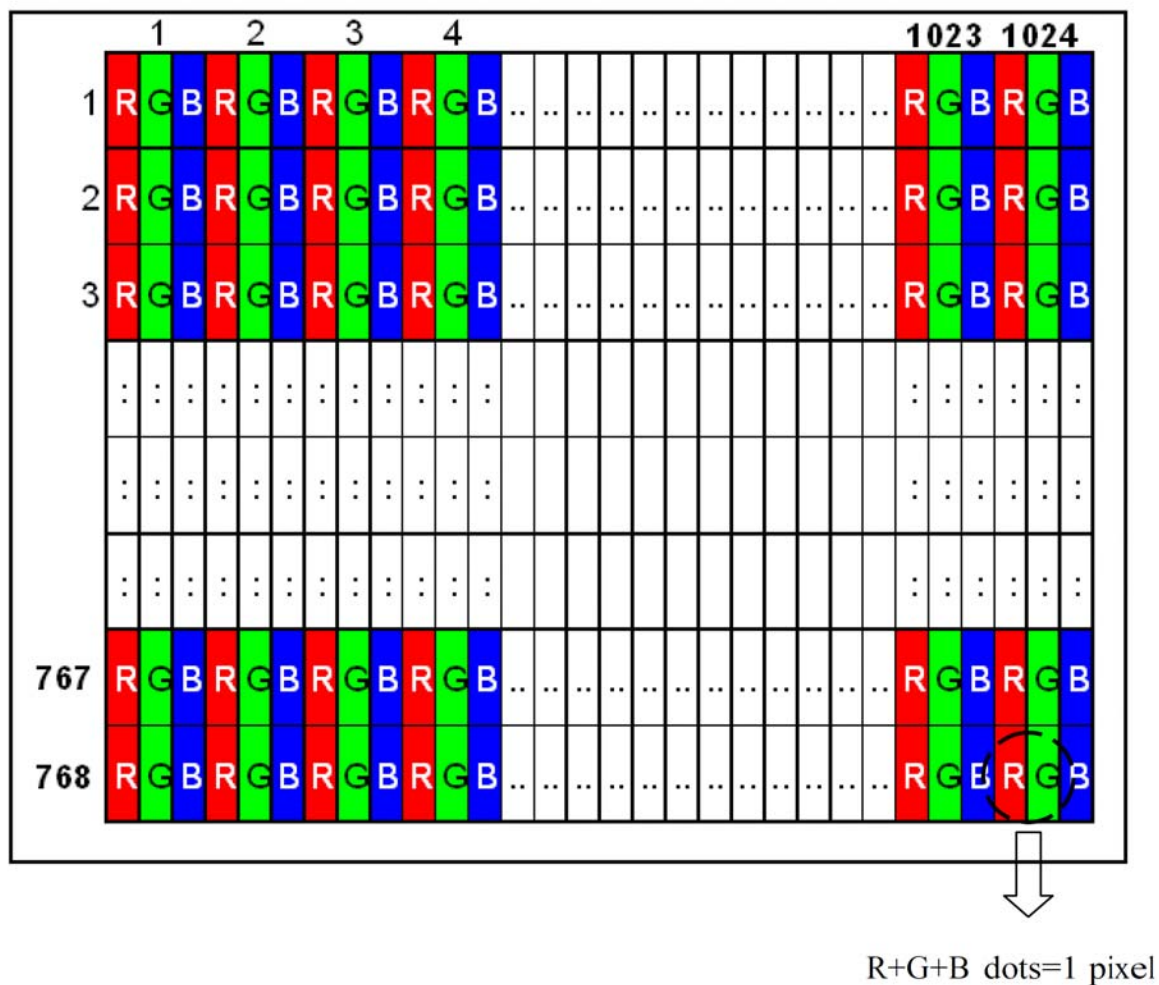
Item	Symbol	Min.	Max.	Unit	Conditions
Supply Voltage	V DD	-0.5	5	V	-
Operating Temperature	TOP	-20	70	°C	Note
Operating Humidity	HOP	10	85	%RH	Note
Storage Temperature	TST	-30	80	°C	Note
Storage Humidity	HST	10	95	%RH	Note

Note: Please make sure to keep the temperature of LCD module is less than 80°C.

## 3.0 Pixel Format Image

Figure 2 shows the relationship of the input signals and LCD pixel format image.

Figure 2 Pixel Format



## 4.0 Optical Characteristics

The optical characteristics are measured under stable conditions as following notes

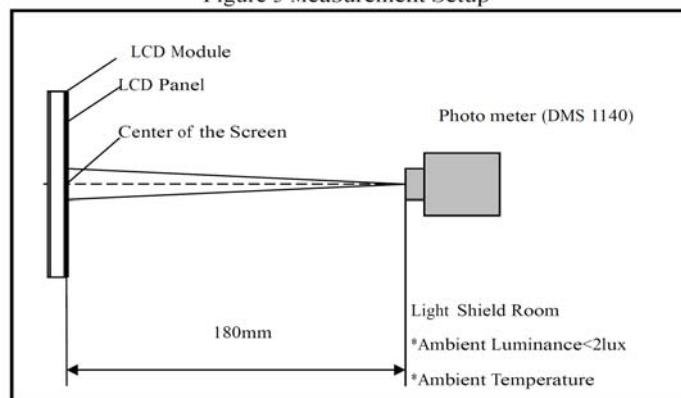
Table 2 Optical Characteristics

Item	Conditions	Min.	Typ.	Max.	Unit	Note	
Viewing Angle (CR>10)	Horizontal	$\theta_L$	70	80	-	degree	(1),(2),(3)
		$\theta_R$	70	80	-		
	Vertical	$\theta_T$	70	80	-		
		$\theta_B$	60	80	-		
Contrast Ratio	Center	450	800	-	-	(1),(2),(4)	
Response Time	Rising	-	-TBD	-	ms	(1),(2),(5)	
	Falling	-	-TBD	-	ms		
	Rising + Falling	-	16	-	ms		
Color Chromaticity(CIE1931)	NTSC	-	70	-	%	(1)(2)	
	Red x	Typ. -0.05	TBD	Typ. -0.05	-		
	Red y		TBD		-		
	Green x		TBD		-		
	Green y		TBD		-		
	Blue x	TBD	-				
	Blue y	TBD	-				
	White x	0.255	0.305	0.355	-		
White y	0.275	0.325	0.375	-			
White Luminance	Center	TBD	420	-	cd/m <sup>2</sup>	(1),(2),(6)	
Luminance Uniformity	9Points	75	80	-	%	(1),(2),(6)	

Note (1) Measurement Setup:

The LCD module should be stabilized at given temperature(25°C) for 15 minutes to avoid abrupt temperature change during measuring. In order to stabilize the luminance, the measurement should be executed after lighting backlight for 15 minutes in a windless room.

Figure 3 Measurement Setup

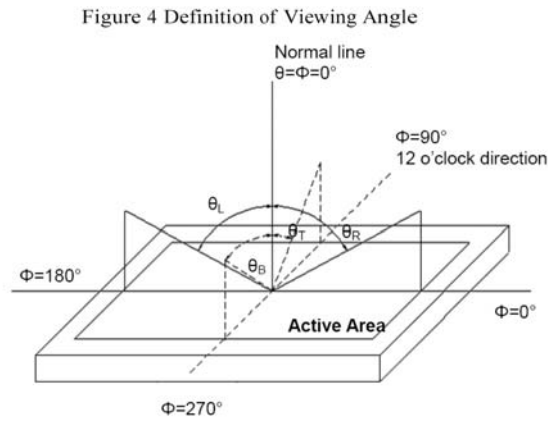


Note (2) The LED input parameter setting as:

VLED: 12V;

PWM\_LED: Duty 100 %

Note (3) Definition of Viewing Angle



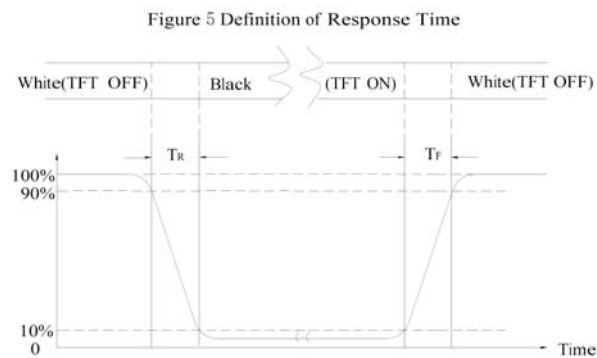
Note (4) Definition Of Contrast Ratio (CR)

The contrast ratio can be calculated by the following expression

$$\text{Contrast Ratio (CR)} = L_{255} / L_0$$

L255: Luminance of gray level 255, L0: Luminance of gray level 0

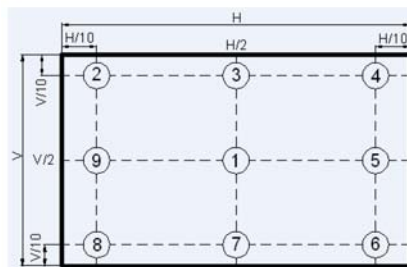
Note (5) Definition Of Response Time ( $T_R$ ,  $T_F$ )



Note (6) Definition Of Brightness Luminance

$$\text{Luminance Uniformity} = \frac{(\text{Min Luminance of 9 points})}{(\text{Max Luminance of 9 points})} \times 100\%$$

Figure 6 Measurement Locations



## 5.0 Backlight Characteristics

### 5.1 Parameter Guideline of LED Backlight

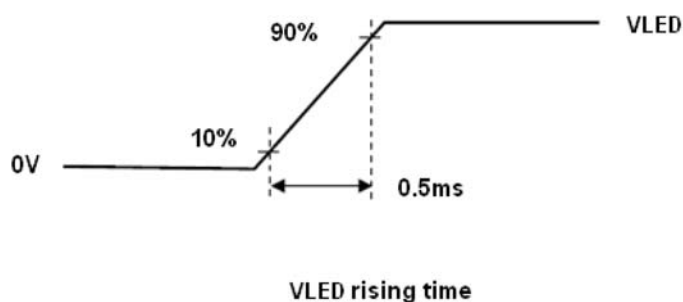
Table 3 Parameter Guideline for LED Backlight

Symbol	Parameter	Min.	Typ.	Max.	Units	Condition	
VLED	LED Input	10.8	12	12.6	[V]	Ta=25°C Note B	
PLED	LED Power Consumption	-	-	(7.5)	w	Ta=25°C Note B	
VLED_PWM	PWM Signal Voltage	High	4.5	5	5.5	V	Ta=25°C
		Low	-	-	0.8	V	
FPWM	PWM dimming Frequency	200	-	20K	Hz	Ddim≥5%	
VLED_EN	LED Enable Voltage	High	2.0	5	5.5	V	-
		Low	-	-	0.8	V	
LT	LED Life Time	30000	-	-	Hours	Ta=25°C Note A	

Note A: The LED life time define as the estimated time to 50% degradation of initial luminous.

Note B: A higher LED power supply voltage will result in better power efficiency. Keep the VLED between 12V and 12.6V is strongly recommended.

Figure 7 LED Rush Current Measure Condition





## 6.0 Electrical Characteristics

### 6.1 TFT LCD Module Interface Connector

Table 4 Connector Name / Designation

Item	Description
Type / Part Number	MSB240420HD

Table 5 Signal Pin Assignment

Pin #	Signal Name	Description	Remarks
1	VDD	Power Supply, 3.3V (typical)	
2	VDD	Power Supply, 3.3V (typical)	
3	VSS	Ground	
4	REV	Reverse Scan selection	Note
5	Rin1-	-LVDS differential data input (R0-R5,G0)	
6	Rin1+	+LVDS differential data input (R0-R5,G0)	
7	VSS	Ground	
8	Rin2-	-LVDS differential data input	
9	Rin2+	+LVDS differential data input	
10	VSS	Ground	
11	Rin3-	-LVDS differential data input	
12	Rin3+	+LVDS differential data input	
13	VSS	Ground	
14	CIkIN-	-LVDS differential clock input	
15	CIkIN+	+LVDS differential clock input	
16	GND	Ground	
17	Rin4-	-LVDS differential data input	
18	Rin4+	+LVDS differential data input	
19	VSS	Ground	
20	NC	Not connect	

**Note: I REV = LOW/NC**

Gate Scan :

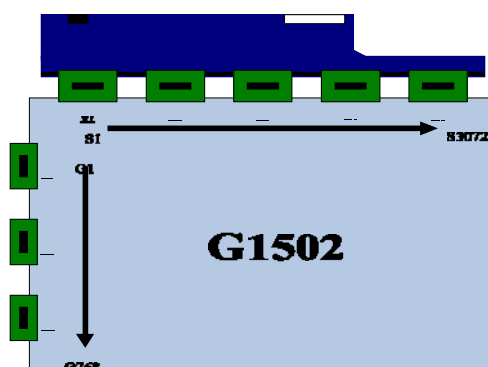
Y1→Y2→Y3

Y1 : G1→G2- - - - -→G258

Source Scan :

X1→X2→X3→X4→X5

X1: S1→S2- - - - -→S600



**II REV = High**

Gate Scan :

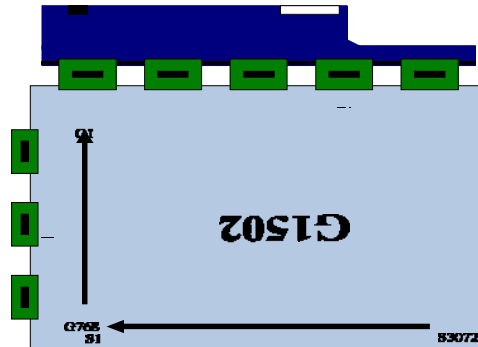
Y3→Y2→Y1

Y1 : G258→G257- - - -→G1

Source Scan :

X5→X4→X3→X2→X1

X1: S600→S599- - - -→S1



**6.2 LED Interface Connector**

Table 6 Connector Name / Designation

Connector Name/Designation	LED Driver Connector
Manufacturer	STM or compatible
Connector Model Number	MSB24038P5A or compatible
Mating Model Number	P24038P5A or compatible

Table 7 LED Connector Pin Assignment

Pin#	Symbol	Signal Name
1	Vcc	12V
2	GND	GND
3	Enable	5V-On / 0V-Off
4	Dimming	PWM Dimming or Analog Dimming
5	NC	NC

## 7.0 Interface Timings

### 7.1 Timing Characteristics

Table 8 Interface Timings

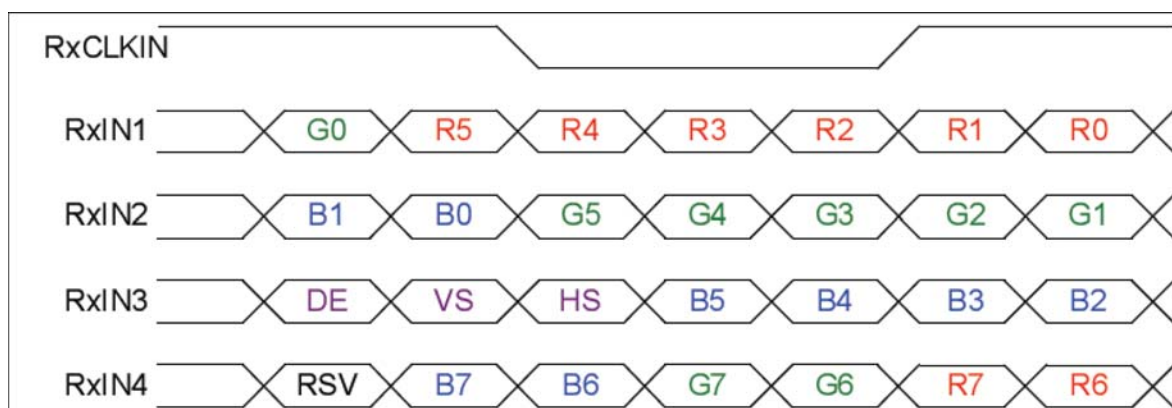
Synchronization Method : DE only

Parameter	Symbol	Unit	Min.	Typ.	Max.
LVDS Clock Frequency <single >	fdck	MHz	50	65	80
H Total Time	Thp	Clocks	1056	1344	1720
H Active Time	HA	Clocks	1024	1024	1024
H Front Porch	Thfp	Clocks	-	48	-
H Sync Pulse Width	HSPW	Clocks	-	32	-
H Back Porch	Thbp	Clocks	-	240	-
H Frequency	fh	kHz	46.32	48.36	59.40
V Total Time	Tvp	lines	772	806	990
V Active Time	VA	lines	768	768	768
V Front Porch	Tvfp	lines	-	3	-
V Sync Pulse Width	VSPW	lines	-	12	-
V Back Porch	Tvbp	lines	-	23	-
V Frequency	fv	Hz		60	

Note: H Blank area and V Blank area can not be changed at every frame

### 7.2 Timing Diagram of Interface Signal

Figure 8 Timing Characteristics



Note1 : Follow SPWG

Note2 : R/G/B data7 : MSB , R/G/B data0 : LSB

## 8.0 Power Consumption

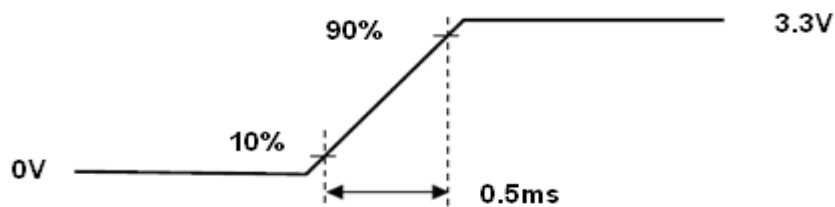
Input power specifications are as follows.

Table 9 Power Consumption

Symbol	Parameter	Min.	Typ.	Max.	Units	Condition
VDD	Logic/LCD Drive Voltage	3.0	3.3	3.6	[V]	-
IDD	VDD Current	-	0.25	-	[A]	3.3V/Black pattern
PDD	VDD Power	-	-	1.3	[W]	Black Pattern, 60Hz
Irush	Rush Current	-	-	3	[A]	Note1
VDDrp	Allowable Logic/LCD Drive Ripple Voltage	-	-	200	[mV]p-p	Note 2

Note 1. Measure Condition

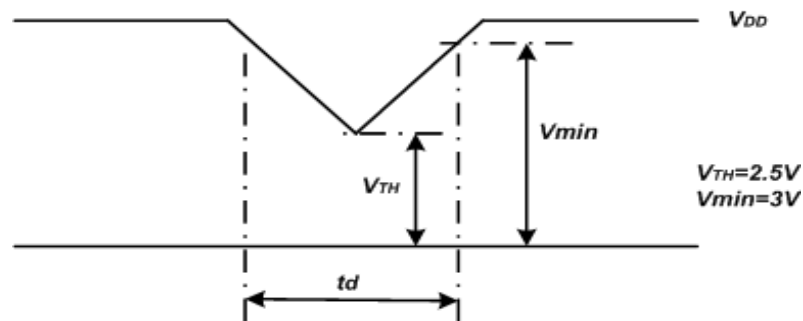
Figure 9 VDD rising time



VDD rising time

Note 2. VDD Power Dip Condition

Figure 10 VDD Power Dip



If  $V_{TH} < V_{DD} \leq V_{min}$ , then  $t_d \leq 10ms$ ; When the voltage return to normal our panel must revive automatically.

## 9.0 Power ON/OFF Sequence

VDD power on/off sequence is as follows. Interface signals are also shown in the chart.

Signals from any system shall be Hi-Z state or low level when VDD is off.

Figure 11 Power Sequence

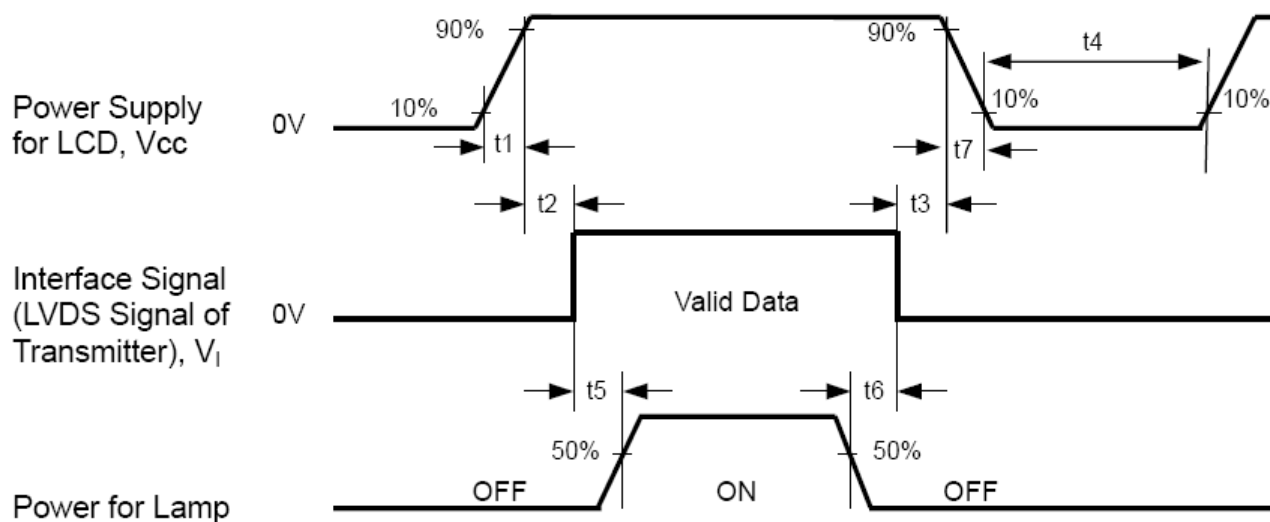


Table 10 Power Sequencing Requirements

Parameter	Symbol	Unit	min	Typ.	max
VDD Rise Time	T1	ms	0.5	-	10
VDD Good to Signal Valid	T2	ms	0	-	20
Signal Disable to Power Down	T3	ms	0	-	1000
Power Off	T4	ms	1000	-	
Signal Valid to Backlight On	T5	ms	300	-	
Backlight Off to Signal Disable	T6	ms	200	-	
VDD Fall Time	T7	ms	0	-	100

## 10. Reliability Test Items

Test Item	Test Conditions	Note
High Temperature Operation	70±3°C , t=240hrs	1
Low Temperature Operation	-20±3°C , t=240hrs	1
High Temperature Storage	80±3°C , t=240 hrs	1
Low Temperature Storage	-30±3°C , t=240 hrs	1
Storage at High Temperature and Humidity	35°C, 90% RH ,240 hrs	1
Thermal Shock Test	-30°C ~ 80°C 1hr/10 cycles	1

Note 1 :

**Under the display quality test conditions with normal operation state, these shall be no change which may affect practical display function.(normal operation state:Temperature:15~35°C, Humidity:45~75%, Atmospheric pressure:86~106kpa)**

## 11 USE PRECAUTIONS

### 11.1 Handling precautions

- 1) The polarizing plate may break easily so be careful when handling it. Do not touch, press or rub it with a hard-material tool like tweezers.
- 2) Do not touch the polarizing plate surface with bare hands so as not to make it dirty. If the surface or other related part of the polarizing plate is dirty, soak a soft cotton cloth or chamois leather in benzine and wipe off with it. Do not use chemical liquids such as acetone, toluene and isopropyl alcohol. Failure to do so may bring chemical reaction phenomena and deteriorations.
- 3) Remove any spit or water immediately. If it is left for hours, the suffered part may deform or decolorize.
- 4) If the LCD element breaks and any LC stuff leaks, do not suck or lick it. Also if LC stuff is stuck on your skin or clothing, wash thoroughly with soap and water immediately.

### 11.2 Installing precautions

- 1) The PCB has many ICs that may be damaged easily by static electricity. To prevent breaking by static electricity from the human body and clothing, earth the human body properly using the high resistance and discharge static electricity during the operation. In this case, however, the resistance value should be approx.  $1M\Omega$  and the resistance should be placed near the human body rather than the ground surface. When the indoor space is dry, static electricity may occur easily so be careful. We recommend the indoor space should be kept with humidity of 60% or more. When a soldering iron or other similar tool is used for assembly, be sure to earth it.
- 2) When installing the module and ICs, do not bend or twist them. Failure to do so may crack LC element and cause circuit failure.
- 3) To protect LC element, especially polarizing plate, use a transparent protective plate (e.g., acrylic plate, glass etc) for the product case.
- 4) Do not use an adhesive like a both-side adhesive tape to make LCD surface (polarizing plate) and product case stick together. Failure to do so may cause the polarizing plate to peel off.

### **11.3 Storage precautions**

- 1) Avoid a high temperature and humidity area. Keep the temperature between 0°C and 35°C and also the humidity under 60%.
- 2) Choose the dark spaces where the product is not exposed to direct sunlight or fluorescent light.
- 3) Store the products as they are put in the boxes provided from us or in the same conditions as we recommend.

### **11.4 Operating precautions**

- 1) Do not boost the applied drive voltage abnormally. Failure to do so may break ICs. When applying power voltage, check the electrical features beforehand and be careful. Always turn off the power to the LC module controller before removing or inserting the LC module input connector. If the input connector is removed or inserted while the power is turned on, the LC module internal circuit may break.
- 2) The display response may be late if the operating temperature is under the normal standard, and the display may be out of order if it is above the normal standard. But this is not a failure; this will be restored if it is within the normal standard.
- 3) The LCD contrast varies depending on the visual angle, ambient temperature, power voltage etc. Obtain the optimum contrast by adjusting the LC drive voltage.
- 4) When carrying out the test, do not take the module out of the low-temperature space suddenly. Failure to do so will cause the module condensing, leading to malfunctions.
- 5) Make certain that each signal noise level is within the standard (L level: 0.2V<sub>dd</sub> or less and H level: 0.8V<sub>dd</sub> or more) even if the module has functioned properly. If it is beyond the standard, the module may often malfunction. In addition, always connect the module when making noise level measurements.
- 6) The CMOS ICs are incorporated in the module and the pull-up and pull-down function is not adopted for the input so avoid putting the input signal open while the power is ON.

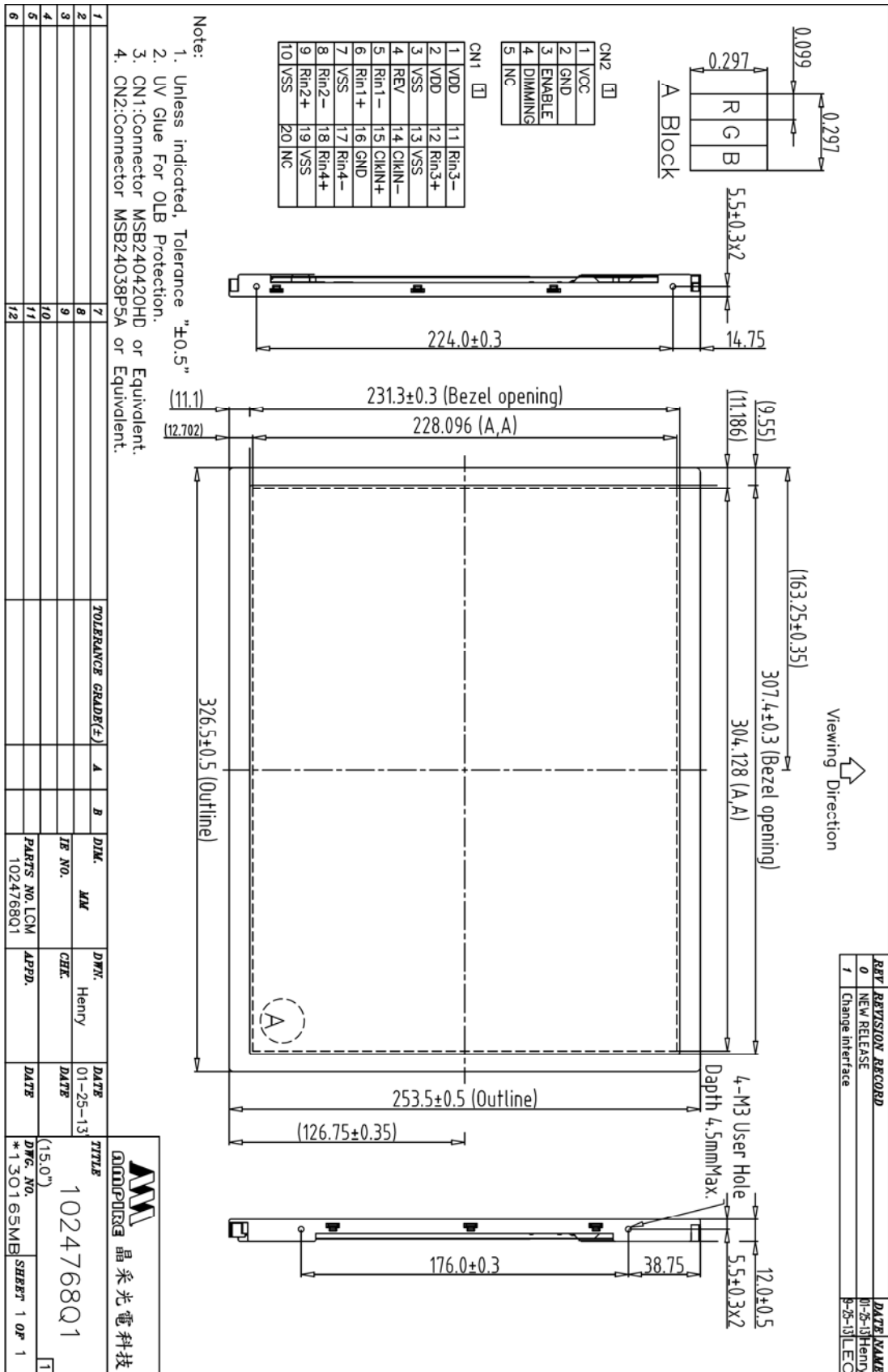


- 7) The characteristic of the semiconductor element changes when it is exposed to light emissions, therefore ICs on the LCD may malfunction if they receive light emissions. To prevent these malfunctions, design and assemble ICs so that they are shielded from light emissions.
- 8) Crosstalk occurs because of characteristics of the LCD. In general, crosstalk occurs when the regularized display is maintained. Also, crosstalk is affected by the LC drive voltage. Design the contents of the display, considering crosstalk.

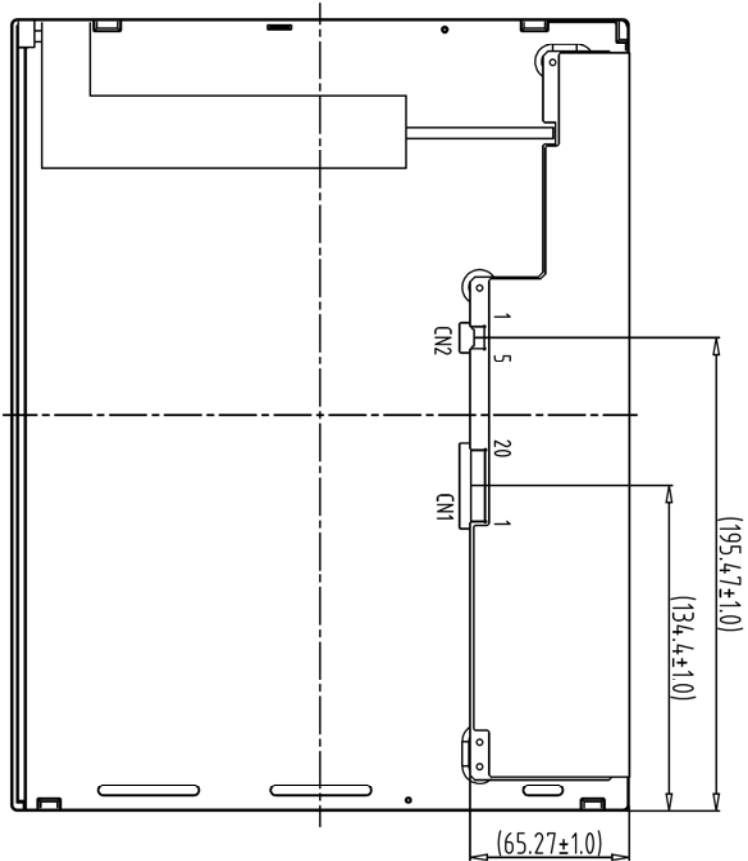
### **11.5Other**

- 1) Do not disassemble or take the LC module into pieces. The LC modules once disassembled or taken into pieces are not the guarantee articles.
- 2) The residual image may exist if the same display pattern is shown for hours. This residual image, however, disappears when another display pattern is shown or the drive is interrupted and left for a while. But this is not a problem on reliability.
- 3) AMIPRE will provide one year warrantee for all products and three months warrantee for all repairing products.

# 12. MECHANIC DRAWING



REV	REVISION RECORD	DATE	NAME
0	NEW RELEASE	01-25-13	Henry
1	Change Interface	09-25-13	ECO



CN2 □

1	VCC
2	GND
3	ENABLE
4	DIMMING
5	NC

CN1 □

1	VDD	11	Rin3-
2	VDD	12	Rin3+
3	VSS	13	VSS
4	REV	14	CIKIN-
5	Rin1-	15	CIKIN+
6	Rin1+	16	GND
7	VSS	17	Rin4-
8	Rin2-	18	Rin4+
9	Rin2+	19	VSS
10	VSS	20	NC

Note:

1. Unless indicated, Tolerance "±0.5"
2. UV Glue For OLB Protection.
3. CN1:Connector MSB240420HD or Equivalent.
4. CN2:Connector MSB24038P5A or Equivalent.

Back view

NO.	REV.	DATE	BY	CHK.	APPD.	TOLERANCE GRADER(±)	A	B	DIM.	MM	PARTS NO.	DATE	TITLE
1	7	01-25-13	Henry						102476801	102476801	102476801	01-25-13	102476801
2	8												(15.0")
3	9												*130166MB
4	10												SHEET 1 OF 1
5	11												
6	12												


**晶采光電科技**  
 AMPIRE  
 102476801  
 DWG. NO. \*130166MB  
 SHEET 1 OF 1