



晶采光電科技股份有限公司
AMPIRE CO., LTD.

Specifications for LCD module

Customer	
Customer part no.	
Ampire part no.	AM-1024600DTZQW-A0H
Approved by	
Date	

Preliminary Specification

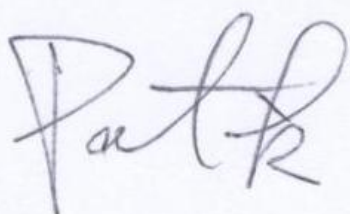


Approved Specification

AMPIRE CO., LTD.

4F., No.116, Sec. 1, Xintai 5th Rd., Xizhi Dist., New Taipei City 221, Taiwan (R.O.C.)

新北市汐止區新台五路一段 116 號 4 樓(東方科學園區 A 棟)

TEL:886-2-26967269 , FAX:886-2-26967196 or 26967270

Approved by	Checked by	Organized by
		

RECORD OF REVISION

Revision Date	Page	Contents	Editor
2016/5/23	-	New release	Jessica
2016/6/6	7	Add backlight uniformity	Jessica
2016/6/14	7	Adjust color chromaticity	Jessica
2016/6/14	14-15	Update TTL information	Jessica
2016/6/15	21-22	Update drawings	Jessica
2016/10/11	7	Add chromaticity	Jessica
2016/11/15	7	Correct color chromaticity	Jessica

1. Features

It's a 7 inches Amorphous-TFT-LCD (Thin Film Transistor Liquid Crystal Display) module. This module is composed of a 7" TFT-LCD panel, LED backlight.

- (1) Construction: 7" a-Si TFT active matrix, White LED Backlight.
- (2) Resolution (pixel): 1024 RGB (H) x 600 (V)
- (3) Number of the Colors : 16.7M colors (R , G , B 8 bit digital each)
- (4) LCD type : Normally Black
- (5) Interface: LVDS

2. PHYSICAL SPECIFICATIONS

Item	Specifications	unit
LCD size	7 inch (Diagonal)	
Resolution	1024 x (RGB) x 600	dot
Pixel pitch	0.1506(W) x 0.1432(H)	mm
Active area	154.2144(W) x 85.92(H)	mm
Module size	164.9(W) x 100.0(H) x 9.65(D)	mm
Color arrangement	RGB-stripe	

3. ABSOLUTE MAX. RATINGS

Item	Symbol	Values			Unit	Remark
		MIN	TYP	MAX		
Power Voltage	VDD	-0.3	--	4	V	
LED Driver Power Voltage	VLED	-0.3	--	19	V	
Operation Temperature	TOP	-20	-	70	°C	
Storage Temperature	TST	-30	-	80	°C	

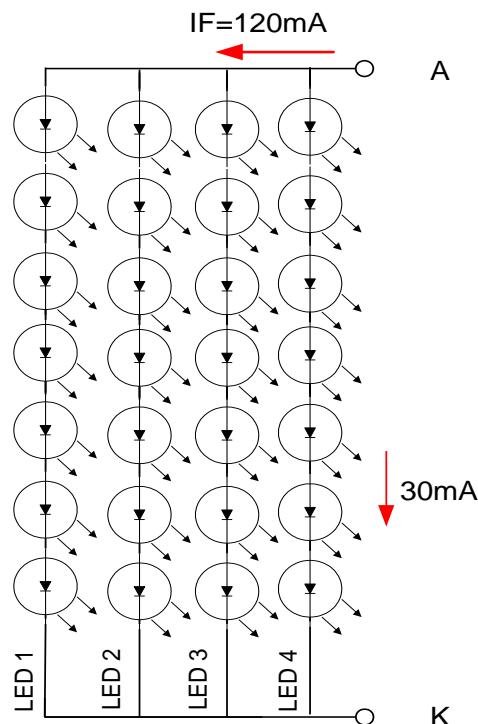
Note (1) The absolute maximum rating values of this product are not allowed to be exceeded at any times. Should a module be used with any of the absolute maximum ratings exceeded, the characteristics of the module may not be recovered, or in an extreme case, the module may be permanently destroyed.

4. Backlight Driving Conditions

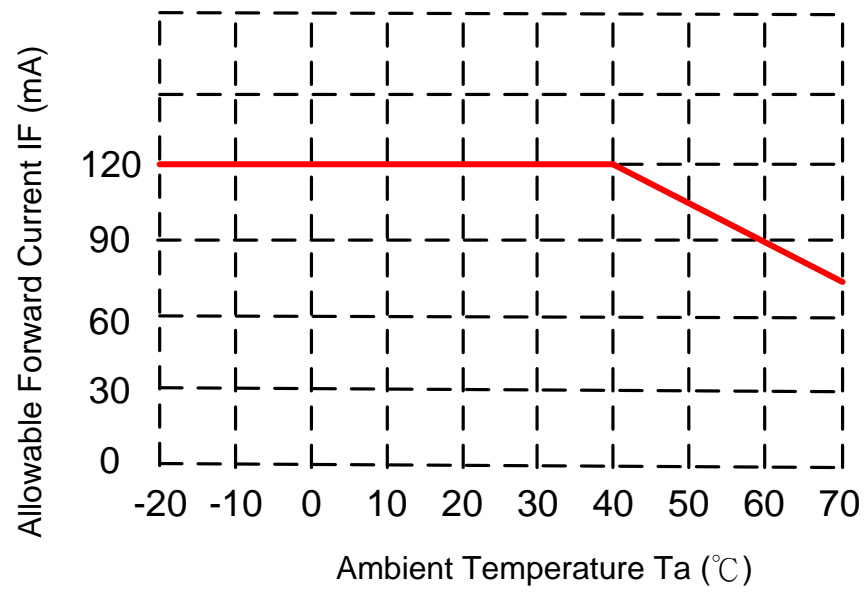
ITEM	SYMBOL	MIN	TYP	MAX	UNIT	NOTE
LED Driver Power Voltage	VLED	--	12	19	V	
LED Driver Power Current	ILED(VLED=12V)	--	289	--	mA	Ta=25°C
PWM Dimming DC active level	VDIMH	1.5	--	6	V	
	VDIML	--	--	0.6	V	
PWM Dimming Freq.	FDIM	0.2		20	kHz	
BLEN Pin High Voltage	VBLENH	1.4		--	V	
BLEN Pin Low Voltage	VBLENL	--		0.8	V	
LED voltage	VAK	--	23.1	--	V	Note 1
LED current	IF	--	120	--	mA	Note 1
LED life time	--	--	30	--	kHrs	Note 2

Note (1) The LED Supply Voltage is defined by the number of LED at Ta=25°C and IF=120 mA.

Note (2) The “LED life time” is defined as the module brightness decrease to 50% original brightness at Ta=25°C and IF=120mA. The LED lifetime could be decreased if operating IF is larger than 120mA.



Note (3) When LCM is operated over 40°C ambient temperature, the IF should be follow :



5. Optical Specifications

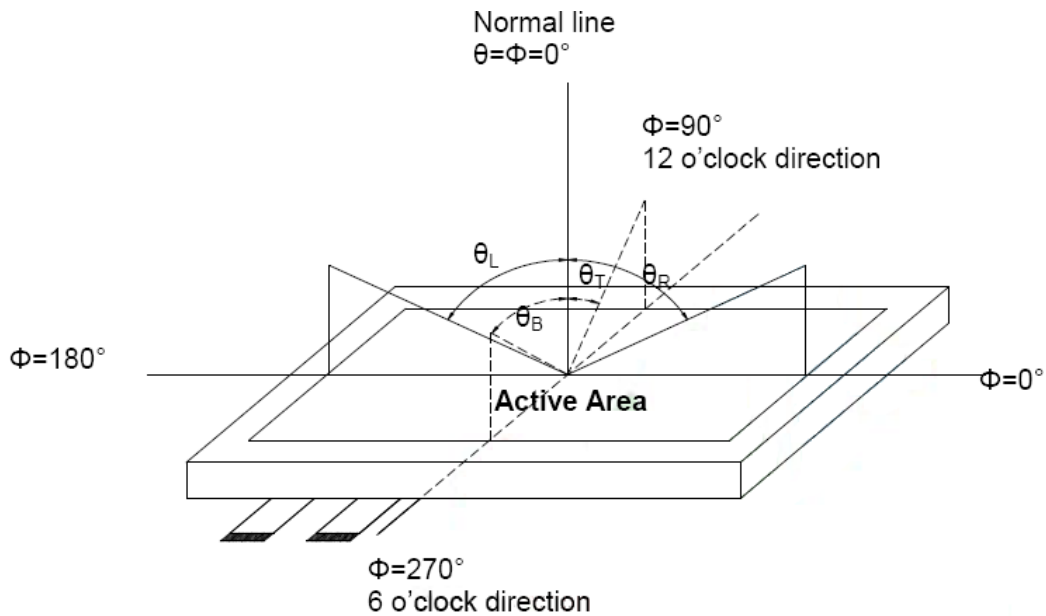
Item	Symbol	Condition	Values			Unit	Note
			Min.	Typ.	Max.		
Viewing angle (CR \geq 10)	θ L	$\Phi = 180^\circ$ (9 o'clock)	80	85	--	degree	Note1
	θ R	$\Phi = 0^\circ$ (3 o'clock)	80	85	--		
	θ T	$\Phi = 90^\circ$ (12 o'clock)	80	85	--		
	θ B	$\Phi = 270^\circ$ (6 o'clock)	80	85	--		
Response time	TON	Normal $\theta = \Phi = 0^\circ$	--	13	20	msec	Note3
	TOFF		--	15	25	msec	
Contrast ratio	CR		600	800	--	--	Note4
Color chromaticity	WX		0.26	0.31	0.36	--	Note5 Note6
	WY		0.31	0.36	0.41	--	
	RX		0.56	0.61	0.66		
	RY		0.29	0.34	0.39		
	GX		0.56	0.61	0.66		
	GY		0.29	0.34	0.39		
	BX		0.05	0.10	0.15		
	BY	0.03	0.08	0.13			
Luminance	L	--	500	--	cd/m ²	Note6	
Luminance uniformity	YU	70	75	--	%	Note6	

Test Conditions:

VDD = 3.3V, IF = 120 mA (Backlight current), the ambient temperature is 25°C.

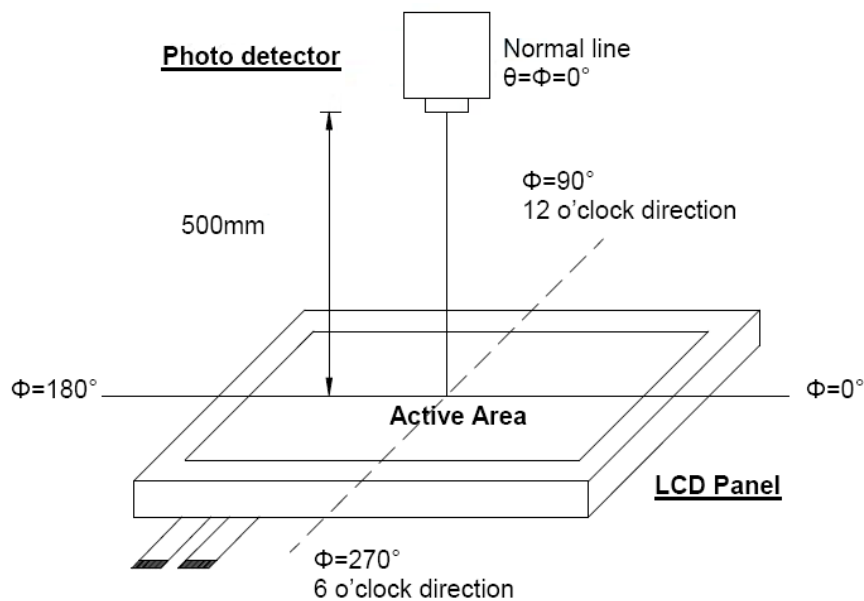
The test systems refer to Note 2.

Note (1) Definition of viewing angle range



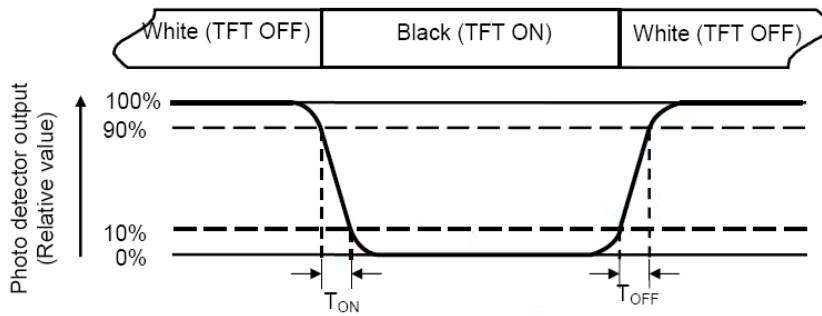
Note (2) Definition of optical measurement system

The optical characteristics should be measured in dark room. After 30 minutes operation, the optical properties are measured at the center point of the LCD screen. (Response time is measured by Photo detector TOPCON BM-7, other items are measured by BM-5A/Field of view: 1° / Height: 500mm.)



Note (3) Definition of Response time

The response time is defined as the LCD optical switching time interval between “White” state and “Black” state. Rise time (TON) is the time between photo detector output intensity changed from 90% to 10%. And fall time (TOFF) is the time between photo detector output intensity changed from 10% to 90%.



Note (4) Definition of contrast ratio

$$\text{Contrast ratio (CR)} = \frac{\text{Luminance measured when LCD on the "White" state}}{\text{Luminance measured when LCD on the "Black" state}}$$

Note (5) Definition of color chromaticity (CIE1931)

Color coordinated measured at center point of LCD.

All input terminals LCD panel must be ground when measuring the center area of the panel.

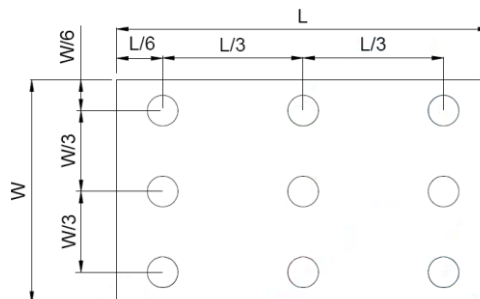
Note (6) Definition of Luminance Uniformity

Active area is divided into 9 measuring areas (Refer to bellow figure).

Every measuring point is placed at the center of each measuring area.

$$\text{Luminance Uniformity (Yu)} = \frac{B_{\min}}{B_{\max}}$$

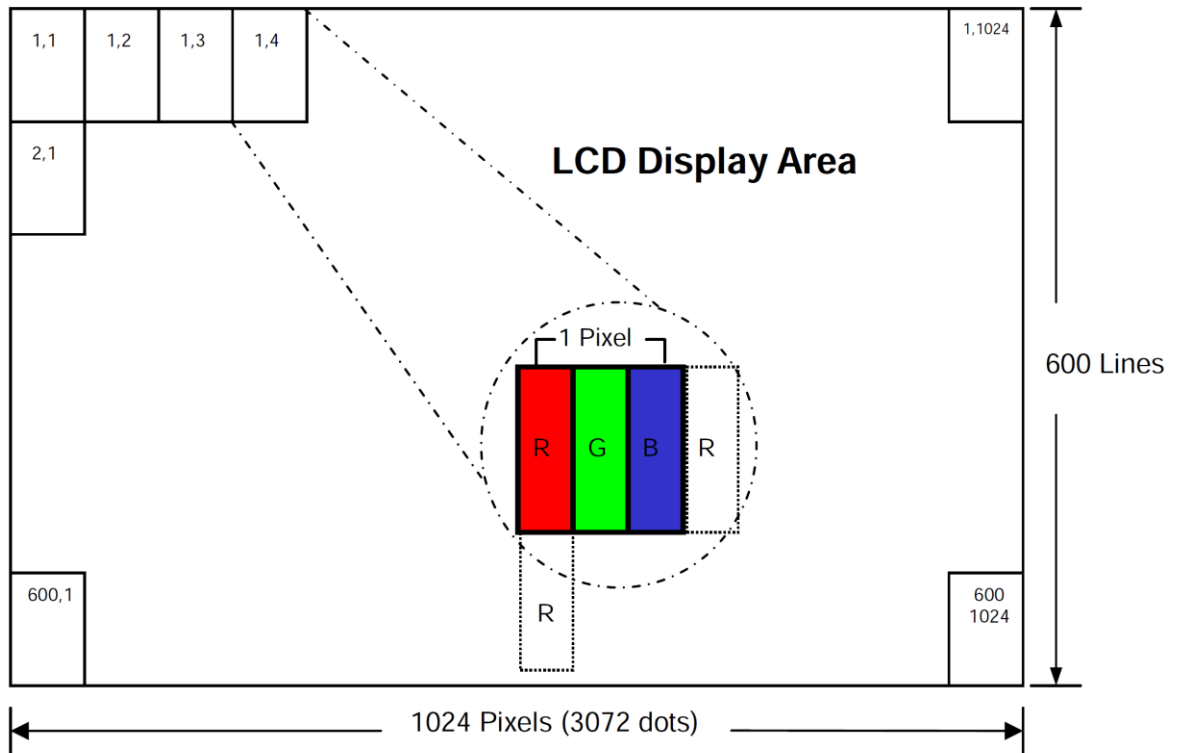
L ----- Active area length W ----- Active area width



Bmax : The measured maximum luminance of all measurement position.

Bmin : The measured minimum luminance of all measurement position.

Note (7) Pixel format



6. INTERFACE

CN2:P1.0 20Pin/CP100–S20G–H16 or Equivalent

Pin No.	Symbol	Function
1	VDD	POWER SUPPLY
2	VDD	POWER SUPPLY
3	GND	Power Ground
4	GND	Power Ground
5	IN0-	Transmission Data of Pixels
6	IN0+	Transmission Data of Pixels
7	GND	Power Ground
8	IN1-	Transmission Data of Pixels 1
9	IN1+	Transmission Data of Pixels 1
10	GND	Power Ground
11	IN2-	Transmission Data of Pixels 2
12	IN2+	Transmission Data of Pixels 2
13	GND	Power Ground
14	CLK-	Sampling Clock
15	CLK+	Sampling Clock
16	GND	Power Ground
17	IN3-	Transmission Data of Pixels 3
18	IN3+	Transmission Data of Pixels 3
19	GND	Power Ground
20	GND	Power Ground

I: input, O: output, P: power

CN3: ENTERY 3808K–F05N–03L or Equivalent, Mating Connector: ENTERY H208K–P05N–02B or Equivalent

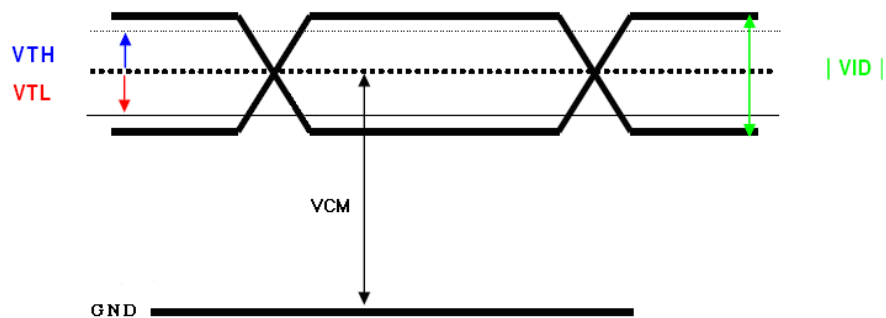
1	VLED	Power supply of LED driving circuit
2	GND	Power Ground
3	BLEN	LED BLU ON/OFF, High: enable, Low: disable
4	DIM	Adjust the LED brightness by PWM
5	NC	No connection

Note (1) BLU means Backlight Unit

7. ELECTRICAL CHARACTERISTICS

7.1. DC Characteristics

Item	Symbol	Min.	Typ.	Max.	Unit	Condition
Digital Power Supply Voltage	VDD	3.0	3.3	3.6	V	
Digital Power Supply Current	IDD		55		mA	
Differential Input High Threshold	VTH	--	--	100	mV	VCM=1.2V
Differential Input Low Threshold	VTL	-100	--	--	mV	
Input current	IIN	-10	--	+10	uA	
Differential input Voltage	VID	0.2	--	0.6	V	
Common Mode Voltage Offset	VCM	$\frac{ VID }{2}$	1.25	$2.4 - \frac{ VID }{2}$	V	

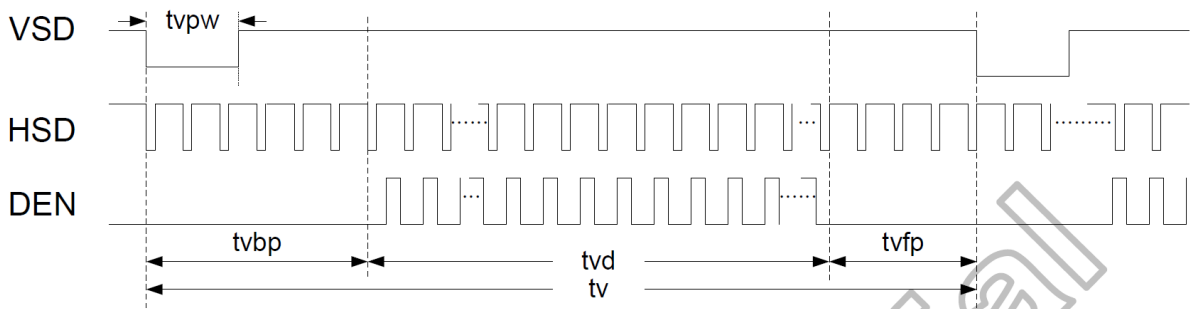


7.2. AC Characteristics

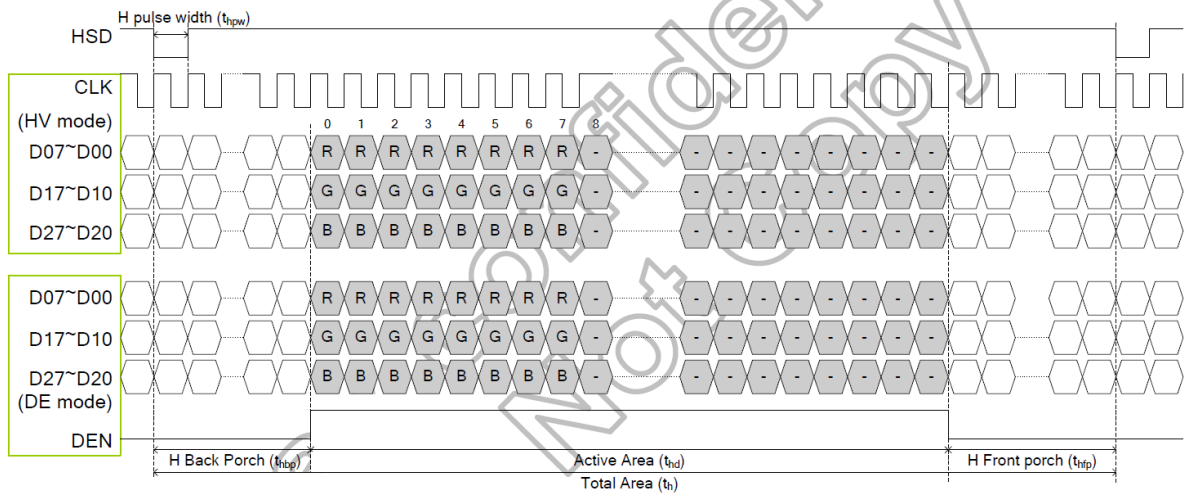
TTL

DE mode					
Parameter	Symbol	Spec.			Unit
		Min.	Typ.	Max.	
DCLK frequency	fclk	40.8	51.2	67.2	MHz
Horizontal display area	thd		1024		DCLK
HSD period	th	1114	1344	1400	DCLK
HSD blanking	thb+ thfp	90	320	376	DCLK
Vertical display area	tvd		600		TH
VSD period	tvbp	610	635	800	TH
VSD blanking	tvbp+ tvfp	10	35	200	TH
HV mode					
DCLK frequency	fclk	44.9	51.2	63	MHz
Horizontal display area	thd		1024		DCLK
HSD period	th	1200	1344	1400	DCLK
HSD pulse Width	thpw	1	-	140	DCLK
HSD back porch	thbp		160		DCLK
HSD front porch	thfp	16	160	216	DCLK
Vertical display area	tvd		600		TH
VSD period	tv	624	635	750	TH
VSD pulse Width	tvpw	1	-	20	TH
VSD back porch	tvbp		23		TH
VSD front porch	tvfp	1	12	127	TH

Horizontal timing

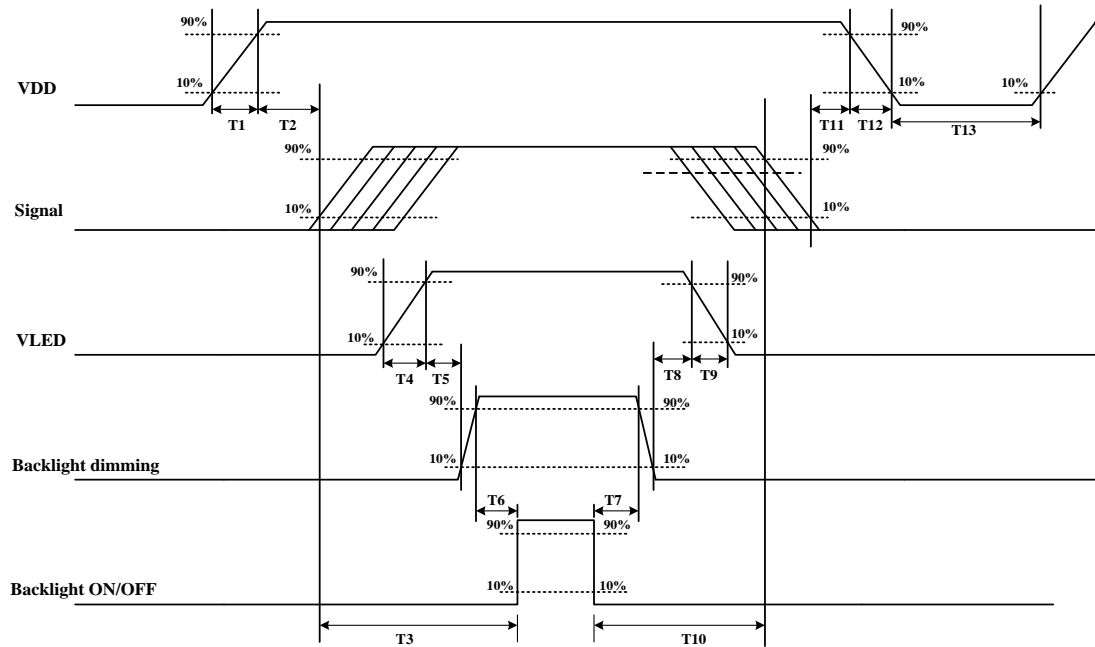


Vertical timing



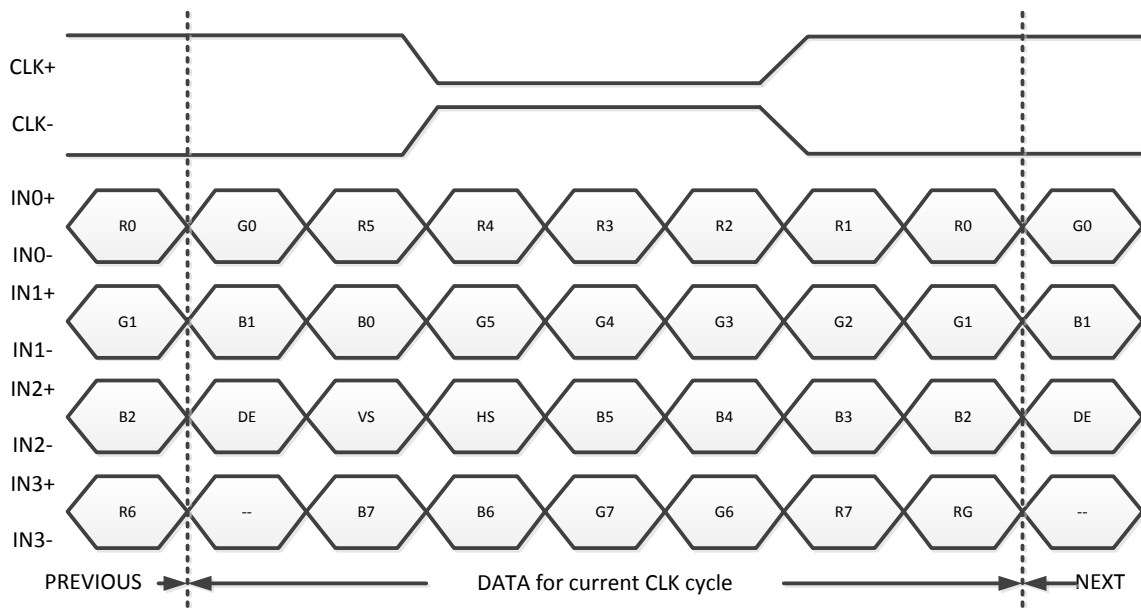
7.3. Power ON/OFF sequence

VDD power and LED on/off sequence are as follows. Interface signals are also shown in the chart. Signal shall be Hi-Z state or low level when VDD is off.



Parameter	Value			Units
	Min.	Typ.	Max.	
T1	0.5	-	10	[ms]
T2	0	40	50	[ms]
T3	200	-	-	[ms]
T4	0.5	-	10	[ms]
T5	10	-	-	[ms]
T6	10	-	-	[ms]
T7	0	-	-	[ms]
T8	10	-	-	[ms]
T9	-	-	10	[ms]
T10	110	-	-	[ms]
T11	0.5	16	50	[ms]
T12	-	-	100	[ms]
T13	1000	-	-	[ms]

7.4. 24-BIT LVDS Input Data Format



Note: R/G/B data 7: MSB, R/G/B data 0: LSB

Signal Name	Description	Remark
R7 R6 R5 R4 R3 R2 R1 R0	Red Data 7 (MSB) Red Data 6 Red Data 5 Red Data 4 Red Data 3 Red Data 2 Red Data 1 Red Data 0 (LSB)	Red-pixel Data Each red pixel's brightness data consists of these 8 bits pixel data.
G7 G6 G5 G4 G3 G2 G1 G0	Green Date 7 (MSB) Green Date 6 Green Date 5 Green Date 4 Green Date 3 Green Date 2 Green Date 1 Green Date 0 (LSB)	
B7 B6 B5 B4 B3 B2 B1 B0	Blue Data 7 (MSB) Blue Data 6 Blue Data 5 Blue Data 4 Blue Data 3 Blue Data 2 Blue Data 1 Blue Data 0 (LSB)	
CLK+ CLK-	LVDS Clock Input	
DE	Display Enable	
VS	Vertical Sync Signal	
HS	Horizontal Sync Signal	

8. RELIABILITY TEST CONDITIONS

Test Item	Test Conditions	Note
High Temperature Operation	70±3°C , t=240 hrs	
Low Temperature Operation	-20±3°C , t=240 hrs	
High Temperature Storage	80±3°C , t=240 hrs	1,2
Low Temperature Storage	-30±3°C , t=240 hrs	1,2
Storage at High Temperature and Humidity	60°C, 90% RH , 240 hrs	1,2

Note (1) Condensation of water is not permitted on the module.

Note (2) The module should be inspected after 1 hour storage in normal conditions (15-35°C, 45-65%RH).

9. General Precautions

9.1 Safety

- (1) Liquid crystal is poisonous. Do not put it your month. If the liquid crystal touches you skin or clothes, you need to wash it off immediately with the soap and water.

9.2 Handling

- (1) The LCD panel is plate glass. Do not subject the panel to mechanical shock or excessive force on its surface.
- (2) The polarizer which attached to the display is easily damaged. Please handle it carefully to avoid scratch or other damages.
- (3) To avoid contamination on the display surface, do not touch the module surface with bare hands.
- (4) Keep a space so that the LCD panels do not touch other components.
- (5) Put on cover board such as acrylic board, which covers on the surface of LCD panel to protect panel from damages.
- (6) Transparent electrodes may be disconnected if you use the LCD panel under environmental conditions where the condensation of dew occurs.
- (7) Do not leave module in direct sunlight to avoid malfunction of the ICs.

9.3 Mechanism

- (1) Please mount LCD module by using mounting holes arranged in four corners tightly.

9.4 Static Electricity

- (1) Be sure to ground module before you turn on power or operation module.
- (2) Do not apply voltage which exceeds the absolute maximum rating value.

9.5 Storage

- (1) Store the module in a dark room where it must keep at $+25\pm 10^{\circ}\text{C}$ and 65%RH or less.
- (2) Do not store the module in surroundings which are containing organic solvent or corrosive gas.
- (3) Store the module in an anti-electrostatic container or bag.

9.6 Cleaning

- (1) Do not wipe the polarizer with dry cloth. It might cause scratch.
- (2) Only use a soft sloth with IPA to wipe the polarizer, other chemicals might permanent damage to the polarizer.

9.7 Others

- (1) AMIPRE will provide one year warrantee for all products and three months warrantee for all repairing products.
- (2) Do not apply fixed pattern data signal to the LCD module as you are using the product.

10. OUTLINE DIMENSION

REV	REVISION RECORD	DATE	NAME
0	NEW RELEASE	05-19-16	EMILY

A Block

CN3	
1	VLED
2	GND
3	BLEN
4	DIM
5	NC

LVDS 8bit	
1	VDD
2	VDD
3	GND
4	GND
5	IND-
6	IND+
7	GND
8	IN1-
9	IN1+
10	GND
11	IN2-
12	IN2+
13	GND
14	CLK-
15	CLK+
16	GND
17	IN3-
18	IN3+
19	GND
20	GND

Note:

- Unless indicated, Tolerance "±0.3"
- UV Glue For OLB Protection.
- CN2:P1.0 20Pin/CP100-S20G-H16 or Equivalent
- CN1:P0.5 40Pin/CS050-40ZST-H12-U or Equivalent
- CN3: ENTERY 3808K-F05N-03L or Equivalent, Mating Connector: ENTERY H208K-P05N-02B or Equivalent
- LCD 1024X3(R,G,B)x600=> 7.0" Digital TFT LCD

1	6.95	TFT LCD 1024x600	2		TOLERANCE GRADIENT	A	B	DIM.	MM	DRAW.	EMILY	DATE	05-19-16
2	New PCB	(LVDS /8bit)	3	New B/L	(LCM 500mts)			DR NO.		CHK.		DATE	
4	New Bezel		11					PARTS NO. LCM	1024600D-A0	APPD.		DATE	
6			18									DATE	

晶采光電科技

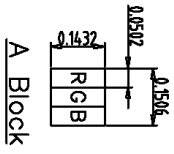
TITLE

1024600D-A0

DWG. NO. *160569MA

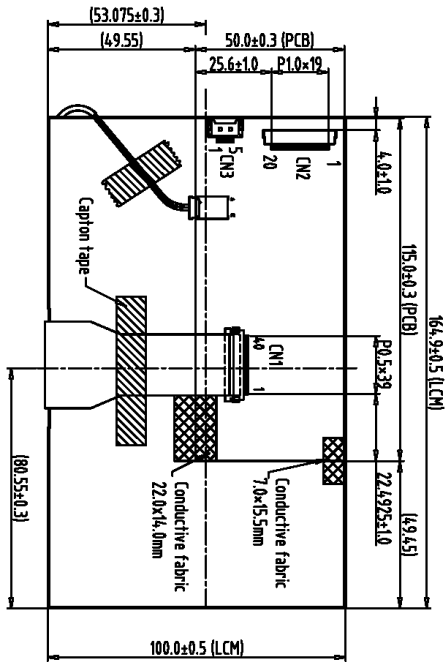
SHEET 1 OF 1

REV	REVISION RECORD	DATE	NAME
0	NEW RELEASE	05-19-16	EMILY



1	VLED
2	GND
3	BLEN
4	DIM
5	NC

1	VDD	11	IN2-
2	VDD	12	IN2+
3	GND	13	GND
4	GND	14	CLK-
5	IND-	15	CLK+
6	IND+	16	GND
7	GND	17	IN3-
8	IN1-	18	IN3+
9	IN1+	19	GND
10	GND	20	GND



Back View

- Note:
1. Unless indicated, Tolerance "±0.3"
 2. UV Glue For OLB Protection.
 3. CN2:P1.0 20Pin/CP100-S20G-H16 or Equivalent
 4. CN1:P0.5 40Pin/CS050-40ZST-H12-U or Equivalent
 5. CN3: ENTERY 3808K-F05N-03L or Equivalent, Mating Connector: ENTERY H208K-P05N-02B or Equivalent
 6. LCD 1024X3(R,G,B)x600=> 7.0" Digital TFT LCD

1	6.95	TFT LCD 1024x600	7		TOLERANCE GRAD(E)	A	B	DIR.	MM	DIVN.	EMILY	DATE	05-19-16	 晶采光电科技	
2	New PCB	(LVDS /8bit)	8									DATE			TITLE 1024600D-A0 DWG. NO. *160570MA SHEET 1 OF 1
3	New B/L	(LCM 500nits)	9									DATE			
4	New Bezel		10									DATE			
5			11												
6			12												