

ePoster LED Driving Board EJL5290-1 Product Specification

Issue Date : 2025/5/30



Record of Revision

Version	Date	Page	Description
1.00	2025/5/30		First Release

INDEX

1. General Information.....	4
1.1. Introduction.....	4
2. Mechanical Drawing.....	5
3. Electrical Definition.....	6
3.1. Connect to EJSN2 [CON1] Wafer 6 Pin, Pitch=1.25mm.....	6
3.2. Connect to EINK EC133UJ1 [J1] FPC 8 Pin, Pitch=0.5mm, Front Flip.....	6
4. Packing Information.....	7

1. General Information

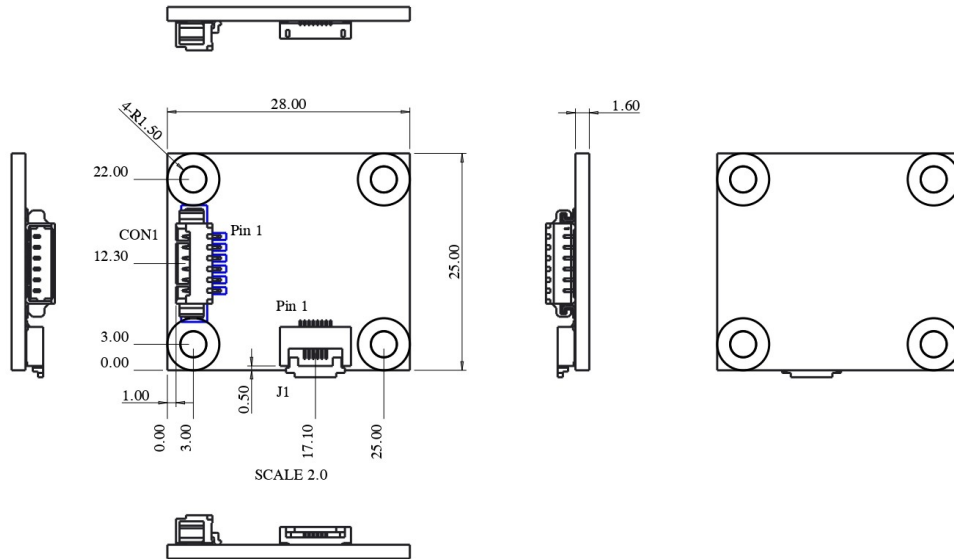
1.1. Introduction

EJL5290-01 is designed to drive LED strips of front light:

- External IO
 - Connector to LED trips x 1
 - Connect for PWM Control x 1
- Support 3 circuits:
 - Supply Voltage of LED front light (Serial 12 pcs.): 32.6V(min)/36.0V(max)
 - Supply Current of LED front light: 20mA(typical)
- Dimension: 28mm x 25mm
- Weight: 3.15 g

2. Mechanical Drawing

EJL5290-1



3. Electrical Definition

CON	Type	Description
CON1	Wafer, 6P, P1.25mm	Connect to eJump Control Board, EJSN2
J1	FPC, 8P, P0.5mm	Connect to EINK EC133UJ1

3.1. Connect to EJSN2 [CON1] Wafer 6 Pin, Pitch=1.25mm

PIN	TYPE	SIGNAL	DESCRIPTION
1	P	VCC	3.3V
2	P	GND	
3	-	PWM	
4	I	EN	
5	P	GND	
6	P	GND	

Remark. I: Input Pin; O: Output Pin; I/O: Input/Output Pin; P: Power Pin

3.2. Connect to EINK EC133UJ1 [J1] FPC 8 Pin, Pitch=0.5mm, Front Flip

PIN	TYPE	SIGNAL	DESCRIPTION
1	P	Cathode (circuit 1)	
2	P	Anode (circuit 1)	
3	P	Cathode (circuit 2)	
4	P	Anode (circuit 2)	
5	P	Cathode (circuit 3)	
6	P	Anode (circuit 3)	
7	-	NC	
8	-	NC	

Remark. I: Input Pin; O: Output Pin; I/O: Input/Output Pin; P: Power Pin

4. Packing Information

(TBD)