



# CEE-Connector Filters



## FMAB CEE and FMAD CEE



- > First CEE Power Entry Module with Filter
- > Easy prewired solution
- > One flange for front or rear mounting
- > Optimal filter position – directly at power entry
- > Saves space, reduces part count, assembly time and overall cost



## CEE Connector

- > **Connectors according IEC 60309**  
International standard for "plugs, socket-outlets and couplers for industrial purposes"
- > Wide range of connectors for 1- / 3-Phase applications AC / DC
- > Typical current ratings: 16, 32, 63, 125 A
- > Voltage and frequency ratings of plug and sockets are indicated by the color and the location of the earth pin



### Typical CEE connectors

Characteristic	Color	Earth pin (o'clock)
<b>100–130 V</b>	Yellow	4
120, or 240 V	Orange	12
<b>200–250 V</b>	Blue	6
120–250 V	Blue	9
12–24 V DC	Purple	12
50–250 V DC	White	3
>250 V DC	White	8
277 V 60 Hz only	Grey	5
<b>380–480 V</b>	Red	6
440 V 60 Hz only	Red	3
480–500 V	Black	7
500–680 V	Black	5

## 1-Phase CEE Connector with Filter

- > Ratings IEC 16-32 A @ 250 VAC
- > Ratings UL, CSA 16-30 A @ 110/125 VAC
- > Operating frequency 50/60 Hz
- > Leakage current max. 0.5 / 1.0 mA
- > Dielectric strength 2250 VDC (2sec.)
- > Weight 650 – 1100 gr.
- > Operating temperature -40 to +85 °C
- > Terminals screw clamps



250 VAC  



125 VAC 

## 3-Phase CEE Connector with Filter

- > Ratings IEC 16 -32 A @ 240/415 VAC
- > Ratings UL, CSA 16-30 A @ 277/480 VAC
- > Operating frequency 50/60 Hz
- > Leakage current max. 10 mA
- > Dielectric strength 2400 VDC (2sec.)
- > Weight 1.3 / 1.4 kg
- > Operating temperatures -40 to +85 °C
- > Terminals screw clamps



240/415 VAC  



277/480 VAC 

## Strategic Positioning

- > First CEE connector filter on the market
- > New segment of high power connector filters for 1- & 3-phase applications
- > Extension of EMC filters range
- > Extension of PEM filter range for higher power and 3 phase applications

## Competitors

- > No equivalent product on the market

## Price Position

- > Attractive pricing

## Applications

- > Equipment with detachable power cord
- > Industrial machines and appliances
- > Electrical tools
- > Power distribution

## USP (Customer Focus)

- > First CEE connector filter on the market
- > Optimal filter position direct on the power entry
- > Integrated connector with filter
  - > Saves space, reduces part count, assembly time and overall cost
- > Easy prewired solution
- > Universal flange for front or rear mounting
- > Optimal filter position direct on the power entry
- > Wide temperature range -40 to +85°C



## FMAB CEE (1-Phase)

In	U	Leakage current	Approvals		Order Number
[A]	[VAC]	[mA]	ENEC	UL, CSA	
16	110	0.5		●	5500.2359
16	125/250	1.0	●	●	5500.2360
30	125	0.5		●	5500.2361
32	125/250	1.0	●	●	5500.2362



## FMAD CEE (3-Phase)

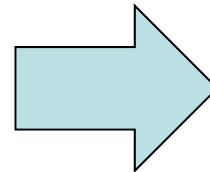
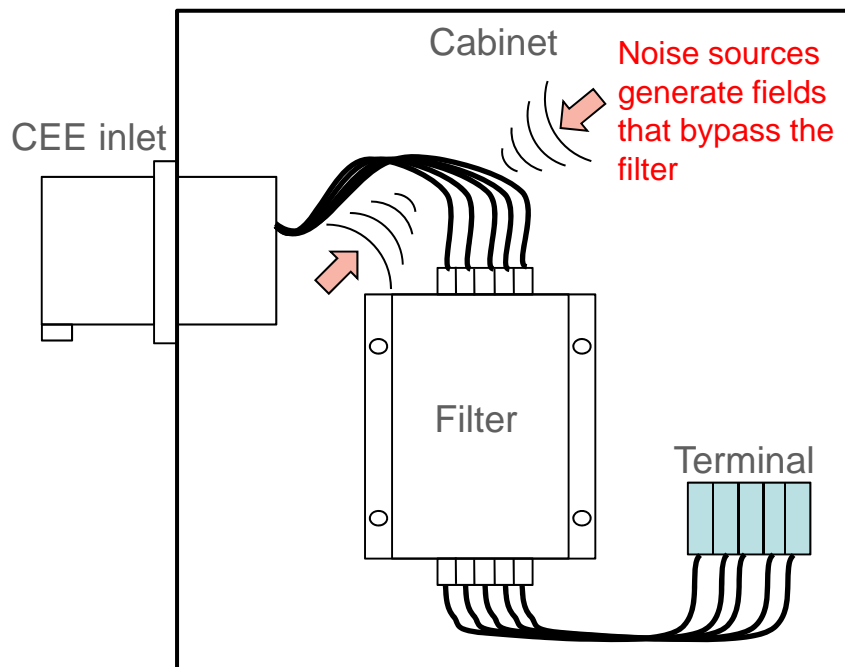
In	U	Leakage current	Approvals		Order Number
[A]	[VAC]	[mA]	ENEC	UL, CSA	
16	240/415	10.0	●	●	FMAD-T4QT-1660.EU
30	277/480	10.0		●	FMAD-T4QT-3060.US
32	240/415	10.0	●	●	FMAD-T4QT-3260.EU



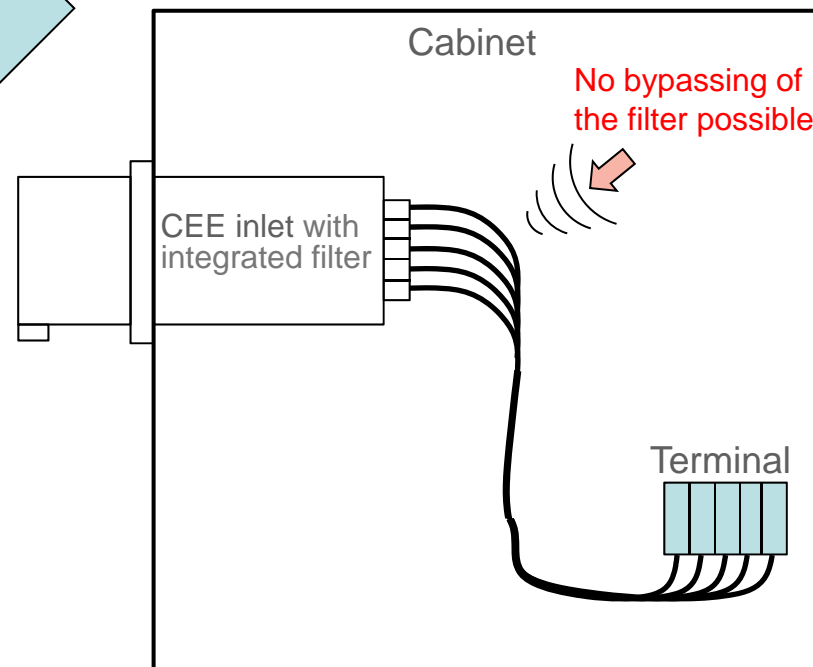
Packing unit: 1pc.

## Safe & Easy Power Entry

### Standard Wiring



### Easy Installation



- > Most effective filtering
- > Space savings
- > Cost savings
- > Easier installation



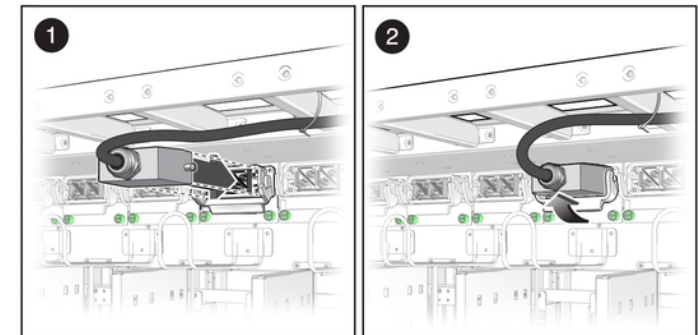
## Machines, Tools



## Mobile Equipment



## Power Distribution



## Power Distribution for IT

## Chassis mounted block filters

### 1-Phase Filter



- > FMAB NEO      1 – 60 A      single stage
- > FMBB NEO      1 – 36 A      double stage

### 3-Phase and Neutral Filter



- > FMAD            6 – 250 A      single stage
- > FMBD NEO      8 – 200 A      double stage



## Current compensated chokes

### 1-Phase fully potted

- > DKIP-1                      10 – 50A                      flexible wire
- > DKIL-1                      10 – 20A                      THT

### 1-Phase for PCB Mounting

- > DKIH-1                      10 – 50A                      THT

### 3-Phase fully potted

- > DKIP-3                      10 – 50A                      flexible wire
- > DKIL-3                      10 – 20A                      THT

### 3-Phase for PCB Mounting

- > DKIH-3                      10 – 50A                      THT

## Additional Information

- > Website enables quick access to sales and marketing materials
- > Click on [Partner Services](#) to download:
  - > Latest press releases
  - > Training presentations
  - > Price lists
  - > High and low resolution product photos
- > Samples can be ordered from the standard product inventory
- > Microsite: <http://cee-filter.schurter.com/>

## Technical Assistance

- > For general product questions, contact your Inside Sales Representative.