

HV Series Vertical Chip Polymer Hybrid type Aluminum Electrolytic Capacitors

■ Features

- For surface mount 105 deg C, 5000 hours guaranteed.
- Low E.S.R. and high ripple current are realized.
- Equivalent to conductive polymer type Aluminum Electrolytic Capacitor
(There are little characteristics change by temperature and frequency)

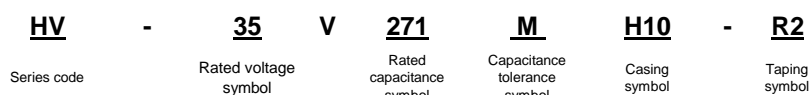
■ Specifications

Item	Performance												
Category temperature range (deg C)	-55 to +105												
Rated Voltage (V)	25 to 80												
Tolerance at rated capacitance (%)	-20 to +20 (20deg C,120Hz)												
Leakage current (uA)	Less than 0.01CV C:Rated capacitance(uF), V:Rated voltage(V) after 2 minutes (20deg C)												
Tangent of loss angle	<table border="1"> <tr> <td>Rated voltage (V)</td> <td>25</td> <td>35</td> <td>50</td> <td>63</td> <td>80</td> </tr> <tr> <td>Tangent of loss angle</td> <td>0.14</td> <td>0.12</td> <td>0.10</td> <td>0.08</td> <td>0.08</td> </tr> </table> (20deg C,120Hz)	Rated voltage (V)	25	35	50	63	80	Tangent of loss angle	0.14	0.12	0.10	0.08	0.08
Rated voltage (V)	25	35	50	63	80								
Tangent of loss angle	0.14	0.12	0.10	0.08	0.08								
ESR (mohm max.)	Refer to Standard Ratings. (20deg C,100kHz)												
Rated ripple current (mArms max.)	Refer to Standard Ratings. (105deg C,100kHz)												
Endurance(105deg C) (Applied ripple current)	<table border="1"> <tr> <td>Test time</td> <td>5000 hours</td> </tr> <tr> <td>Leakage current</td> <td>The initial specified value or less</td> </tr> <tr> <td>Capacitance change</td> <td>Within -30% to +30% of initial value</td> </tr> <tr> <td>Tangent of loss angle</td> <td>200% or less of the initial specified value</td> </tr> <tr> <td>ESR change</td> <td>200% or less of the initial specified value</td> </tr> </table>	Test time	5000 hours	Leakage current	The initial specified value or less	Capacitance change	Within -30% to +30% of initial value	Tangent of loss angle	200% or less of the initial specified value	ESR change	200% or less of the initial specified value		
Test time	5000 hours												
Leakage current	The initial specified value or less												
Capacitance change	Within -30% to +30% of initial value												
Tangent of loss angle	200% or less of the initial specified value												
ESR change	200% or less of the initial specified value												
Shelf life(105deg C)	Test time : 1000 hours ; other items are the same as those for the endurance. Voltage application treatment.												

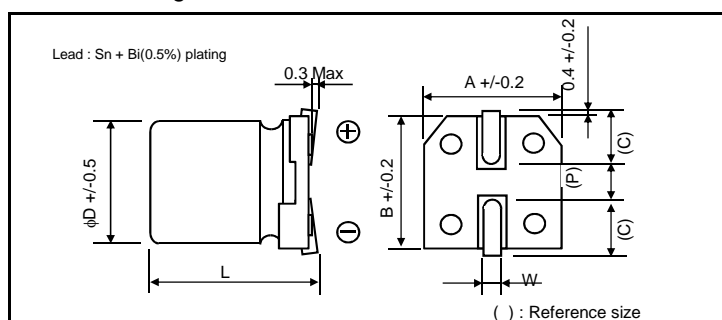
■ Coefficient of Frequency for Rated Ripple Current

Frequency (Hz)	120	1k	10k	100k	100k or more
Coefficient	0.10	0.30	0.60	1.00	1.00

■ Part numbering system (35V270uF)



■ Outline drawing



Unit : mm

φD	L	A	B	C	W	P	Casing symbol
6.3	7.7+/-0.3	6.6	6.6	2.7	0.5 to 0.8	2.0	F80
8	8.7+/-0.3	8.4	8.4	3.0	0.5 to 0.8	3.1	G90
8	10.0+/-0.5	8.4	8.4	3.0	0.7 to 1.1	3.1	G10
10	8.7+/-0.3	10.4	10.4	4.7	0.7 to 1.1	4.7	H90
10	10.0+/-0.5	10.4	10.4	4.7	0.7 to 1.1	4.7	H10

(Note) Design, Specifications are subject to change without notice.

(Note) It is recommended that you shall obtain technical specifications from ELNA CO.,LTD to ensure that the component is suitable for your intended use.

