

PROPRIETARY INFORMATION: PROPRIETARY OF GLOBTEK, INC. ANY REPRODUCTION, DISCLOSURE OR USE OF THIS DRAWING, IN WHOLE OR IN PART, IS HEREBY PROHIBITED EXCEPT AS SPECIFIED IN WRITING BY GLOBTEK, INC.	REVISION			
	REV	DESCRIPTION	DATE	APPROVED
	A	INITIAL RELEASE, RFS. 13521, DMR	05/01/08	HM
	B	UPDATE O/P CABLE, RFS. 16377, RN	06/05/09	HM
	C	UPDATE LABEL, O/P CORDRFS. 17146, 17149, BS	09/29/09	HM



1. NOTES:

DIMENSIONS ARE IN MM UNLESS SPECIFIED OTHERWISE.

2. ELECTRICAL SPECIFICATIONS:

INPUT VOLTAGE: 90 VAC TO 264 VAC
INPUT CURRENT: < 1.5 A RMS AT 115 VAC INPUT
INPUT FREQUENCY: 47 HZ - 63 HZ
OUTPUT VOLTAGE : 12 VDC
OUTPUT CURRENT : 5.0 A, NO MINIMUM LOAD REQUIRED TO MAINTAIN OUTPUT VOLTAGE
REGULATION
OUTPUT POWER (RATED): 60 WATTS MAXIMUM
OUTPUT RIPPLE (PEAK TO PEAK): +/-1% OR 50 mV WHICHEVER IS GREATER OF NOMINAL OUTPUT VOLTAGE. MEASURED AT 20 MHz BANDWIDTH WITH 0.1µf CERAMIC CAPACITOR IN PARALLEL WITH 10 µf ELECTROLYTIC CAPACITOR CONNECTED AT THE END OF THE OUTPUT CONNECTOR.
OUTPUT LOAD REGULATION: ± 5 % OF NOMINAL OUTPUT VOLTAGE, MEASURED AT O/P CONNECTOR
LINE REGULATION: ± 2 % MAX AT FULL LOAD
TURN ON/ TURN OFF OVERSHOOT: 5% MAX 500µs RECOVERY TIME FOR 25% STEP LOAD
TURN-ON DELAY: 2 SEC MAX
HOLD-UP TIME: 8 mSEC MIN AT 120 VAC, INPUT AND FULL LOAD
INRUSH CURRENT: 40 A MAX AT COLD START AT 120VAC AND 60A AT 230VAC
EFFICIENCY: 84 % TYPICAL AT FULL LOAD
SWITCHING FREQUENCY: 100 KHZ TYPICAL
OVER-VOLTAGE PROTECTION: PROTECTED, UNIT WILL AUTORECOVER UPON REMOVAL OF FAULT
OVER-CURRENT / SHORT CIRCUIT: PROTECTED, UNIT WILL AUTORECOVER UPON REMOVAL OF FAULT
OTHER PROTECTION: INPUT FUSING
SAFETY APPROVALS : UL60950-1, CUL TO 22.2# 60950-1, DEMKO TO EN 60950-1, CE, CLASS I, C-TICK TO AS/NZ 60950-1, CCC TO GB4943-2001,GB9254-1998, GB17625.1-2003, PSE TO J60950, CB REPORT
DIELECTRIC WITHSTAND VOLTAGE: 4242 VDC PRIMARY-SECONDARY
LEAKAGE CURRENT: ≤ 3.5 mA AT 240 VAC
EMI: COMPLIES WITH EN55022 , CLASS B AND FCC PART 15 CLASS B WHEN TESTED WITH A RESISTIVE LOAD, BOTH CONDUCTED AND RADIATED EMI, TUV 'EMC' MARK, VCCI TESTED TO COMPLY W/RADIO TELECOMMUNICATION ACT OF 1992.
C-TICK: COMPLIES WITH ENERGY STAR TIER 2 (NORTH AMERICA), CECP TIER 2 (CHINA), MEPS TIER 2 (AUSTRALIA),
EFFICIENCY: CODE OF CONDUCT (EUROPE)
CE MARK: TESTED TO COMPLY WITH EN55022, EN61000-3-2 EN55024, INCLUDING EN61000-4-2, EN61000-4-3, EN61000-4-4, EN61000-4-5, EN61000-4-6, EN61000-4-11.
MTBF: 200,000 HOURS AT 25°C AMBIENT TEMPERATURE
OPERATING TEMPERATURE: 0°C TO 40° C
STORAGE TEMPERATURE: -40°C TO 80° C
HUMIDITY: 5% TO 95% RELATIVE HUMIDITY
WEIGHT: 250 g
ROHS: COMPLIES WITH EU 2002/95/EC AND CHINA SJ/T 11363-2006

Foot Note: Globtek Inc. will not be liable for the safety and performance of these power supplies if unauthorized access and repair occurs. End user should consult applicable UL, CSA or EN standards for proper installation instructions	DASH NO.	PART NO	REV.	DESCRIPTION	NOTES	
	TABULATION BLOCK					
	Limitation of Use: Globtek product are not authorized for use as mission critical components in life support, hazardous environment, nuclear or aircraft applications without prior written approval from the CEO of Globtek Inc.		TOLERANCES: DECIMALS ANGULAR .xx +/- 0.1 +/- 1° .xxx +/- .005		186 Veterans Dr. Northvale, NJ 07647 Tel. 201-784-1000 Fax 201.784.0111 www.globtek.com	
	INIT.BY: DMR	DATE: 05/01/08	MILLIMETERS ANGULAR .xx +/- 0.3 +/- 1° .xxx +/- .013	DWG TITLE: SWITCHING POWER SUPPLY, 60WATT, 12V@ 0-5.0A SINGLE OUTPUT, FAMILY DESKTOP, UNIVERSAL INPUT, ITE , ENERGY STAR		
DRAWN: NF	DATE: 05/01/08	FSCN No.: G, Y	SIZE A	MODEL NO: GT-81081-6012-T3	REV. C	
Contents of this document are subject to change without prior notice	APRVD : HM	DATE: 05/01/08	SCALE: NONE	PART NO: TR9CE5000Q00-F(R)	SHEET 1 OF 6	

PROPRIETARY INFORMATION:

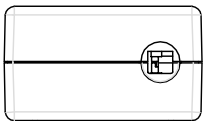
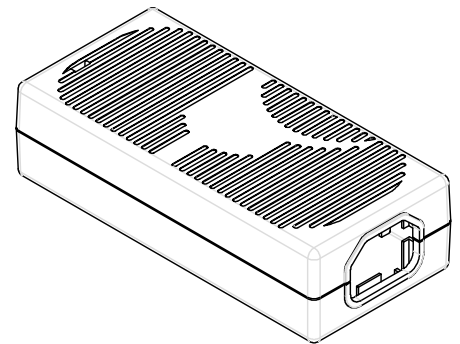
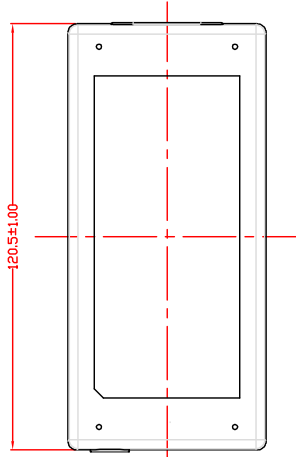
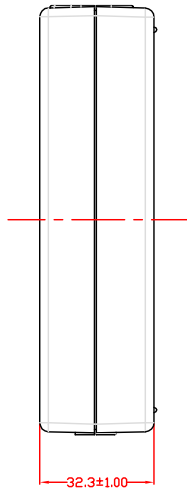
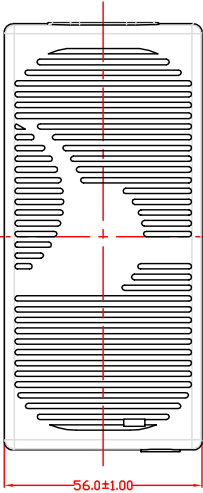
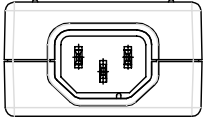
PROPRIETARY OF GLOBTEK, INC. ANY REPRODUCTION, DISCLOSURE OR USE OF THIS DRAWING, IN WHOLE OR IN PART, IS HEREBY PROHIBITED EXCEPT AS SPECIFIED IN WRITING BY GLOBTEK, INC.

3. ENCLOSURE

UPPER HOUSING: HIGH IMPACT PLASTIC, 94V0 POLYCARBONATE, NON-VENTED, COLOR BLACK

LOWER HOUSING: HIGH IMPACT PLASTIC 94V0 POLYCARBONATE, NON- VENTED, COLOR BLACK

SIZE: 120.5(L) x 56.0(W) x 32.3(H) ± 1 mm



GlobTek, Inc.
www.globtek.com

186 Veterans Dr. Northvale, NJ 07647
Tel. 201-784-1000 Fax 201.784.0111

DWG TITLE: SWITCHING POWER SUPPLY, 60WATT, 12V@ 0-5.0A
SINGLE OUTPUT, FAMILY DESKTOP, UNIVERSAL INPUT, ITE , ENERGY STAR

MODEL NO: GT-81081-6012-T3

REV.
C

PART NO: TR9CE5000Q00-F(R)

SHEET 2 OF 6

PROPRIETARY INFORMATION:
 PROPRIETARY OF GLOBTEK, INC. ANY REPRODUCTION, DISCLOSURE OR USE OF THIS DRAWING, IN WHOLE OR IN PART, IS HEREBY PROHIBITED EXCEPT AS SPECIFIED IN WRITING BY GLOBTEK, INC.

4. INDICATOR: GREEN LED FOR OUTPUT PRESENT

5. INPUT CONNECTOR:

MODEL: T3= IEC 60320 / C14, AC POWER RECEPTACLE WITH 3 MALE PRONGS

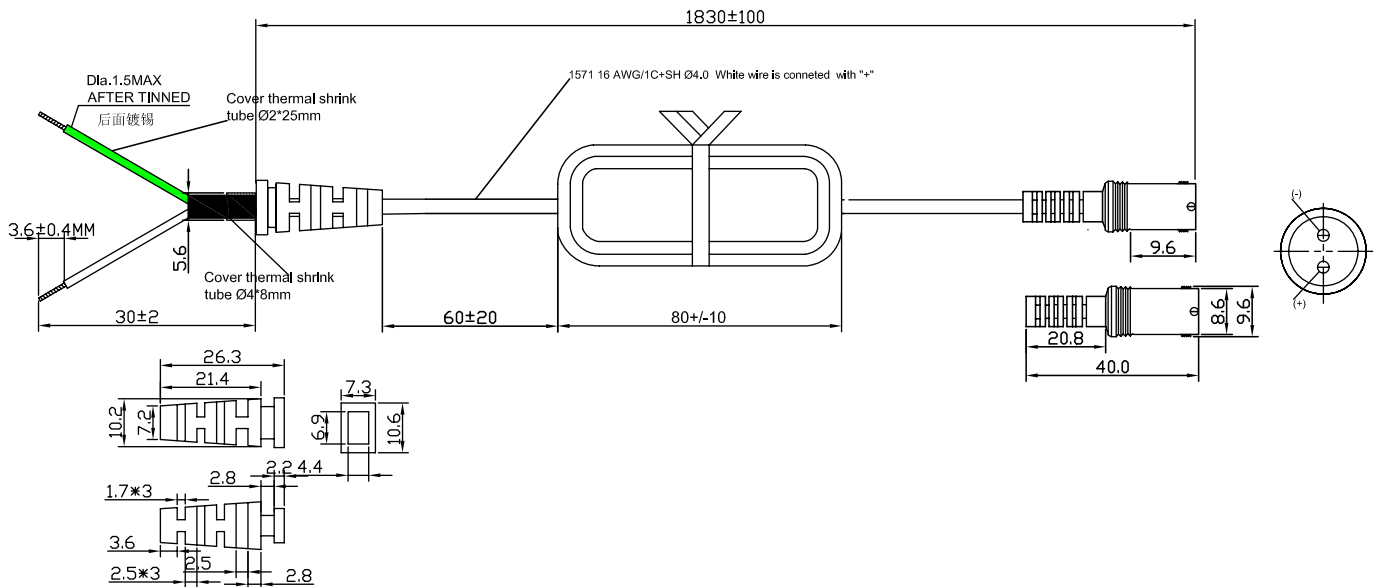
6. OUTPUT CORD:

1 CONDUCTOR+SHIELD, 16 AWG STRANDED WIRE, ROUND UL 1571 CORD TYPE, COLOR BLACK ,
 LENGTH OF CORD: 1830 +100,-0mm.

CORD IS MEASURED FROM THE HOUSING TO THE END OF OVERMOLD OF THE CONNECTOR. CABLE IS TO BE MARKED WITH WIRE GAUGE, AND ALL APPLICABLE RATING AND SAFETY APPROVALS.

7. OUTPUT CONNECTOR:

UNIVERSAL CHANGEABLE + TIP SYSTEM 2 CONDUCTORS



NOTE:
 POLARITY DEPENDENT ON CONNECTOR.

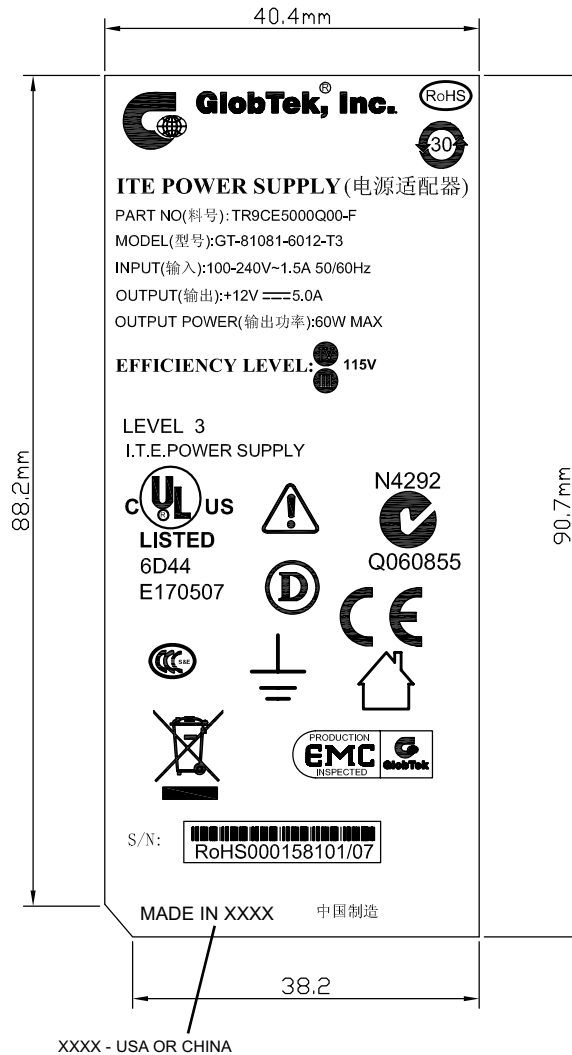
 GlobTek, Inc. www.globtek.com		186 Veterans Dr. Northvale, NJ 07647 Tel. 201-784-1000 Fax 201.784.0111	
DWG TITLE: SWITCHING POWER SUPPLY, 60WATT, 12V@ 0-5.0A SINGLE OUTPUT, FAMILY DESKTOP, UNIVERSAL INPUT, ITE , ENERGY STAR			
MODEL NO: GT-81081-6012-T3			REV. C
PART NO: TR9CE5000Q00-F(R)			SHEET 3 OF 6

PROPRIETARY INFORMATION:

PROPRIETARY OF GLOBTEK, INC. ANY REPRODUCTION, DISCLOSURE OR USE OF THIS DRAWING, IN WHOLE OR IN PART, IS HEREBY PROHIBITED EXCEPT AS SPECIFIED IN WRITING BY GLOBTEK, INC.

8. LABEL:

MATERIAL: .007 (0.18) THICK FLAT THERMAL TRANSFER, IMPRINTABLE, BLACK POLYESTER SHEET WITH SILVER OR WHITE NOMENCLATURE.
MANUFACTURER: STEVEN LABEL, MATERIAL I.D. NO.3302-33, UL FILE NO. MH12821(N), UL MATERIAL DESIGNATION FILE NO. GHW332RL. OPTIONAL LABEL MATERIAL CAN BE SUBSTITUTED PROVIDING MATERIAL IS UL LISTED AND COMPLEIS WITH APPLICABLE SAFETY REQUIREMENTS.



ACTUAL POSITIONING OF SYMBOLS AND TEXT IS SUBJECT TO CHANGE AT TIME OF MANUFACTURE



→ AVAILABLE UPON REQUEST

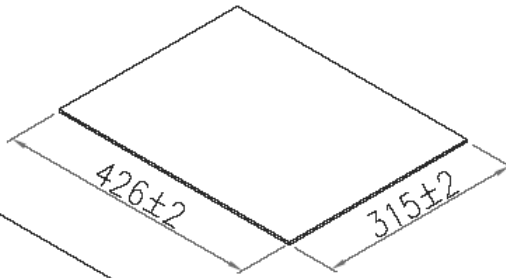
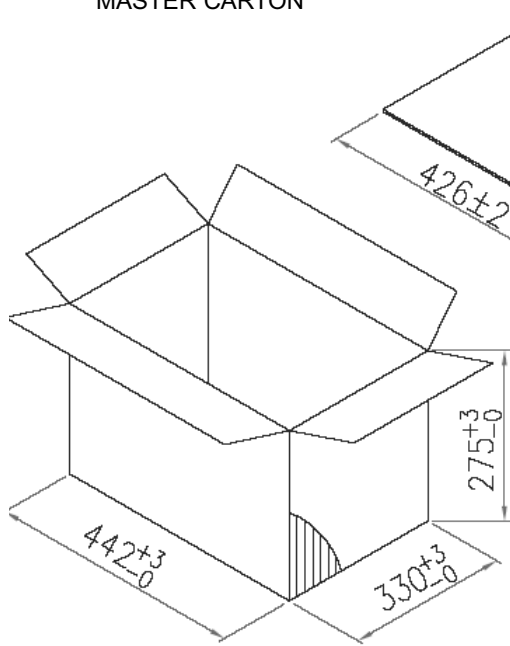
GlobTek, Inc. www.globtek.com		186 Veterans Dr. Northvale, NJ 07647 Tel. 201-784-1000 Fax 201.784.0111
DWG TITLE: SWITCHING POWER SUPPLY, 60WATT, 12V@ 0-5.0A SINGLE OUTPUT, FAMILY DESKTOP, UNIVERSAL INPUT, ITE , ENERGY STAR		
MODEL NO:	GT-81081-6012-T3	REV. C
PART NO:	TR9CE5000Q00-F(R)	SHEET 4 OF 6

PROPRIETARY INFORMATION:

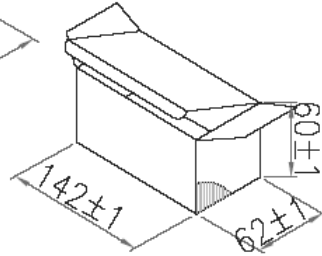
PROPRIETARY OF GLOBTEK, INC. ANY REPRODUCTION, DISCLOSURE OR USE OF THIS DRAWING, IN WHOLE OR IN PART, IS HEREBY PROHIBITED EXCEPT AS SPECIFIED IN WRITING BY GLOBTEK, INC.

9. PACKING:

MASTER CARTON



INDIVIDUAL BOX



60 PCS /CARTON

GlobTek, Inc.
www.globtek.com

186 Veterans Dr. Northvale, NJ 07647
Tel. 201-784-1000 Fax 201.784.0111

DWG TITLE: SWITCHING POWER SUPPLY, 60WATT, 12V@ 0-5.0A
SINGLE OUTPUT, FAMILY DESKTOP, UNIVERSAL INPUT, ITE , ENERGY STAR

MODEL NO: GT-81081-6012-T3

REV.
C

PART NO: TR9CE5000Q00-F(R)

SHEET 5 OF 6

PROPRIETARY INFORMATION:

PROPRIETARY OF GLOBTEK, INC. ANY REPRODUCTION, DISCLOSURE OR USE OF THIS DRAWING, IN WHOLE OR IN PART, IS HEREBY PROHIBITED EXCEPT AS SPECIFIED IN WRITING BY GLOBTEK, INC.

China RoHS SELF DISCLOSURE TABLE

有毒有害物质或元素名称及含量标准形式 Name and concentration of hazardous substance or element in product						
零件名 Name of part	剧毒有害物质或元素 Hazardous substance or element					
	铅 Pb	汞 Hg	镉 Cd	六价铬 Cr(VI)	多溴联苯 PBB	多溴二苯醚 PBDE
连接器 COPPER CONNECTOR	X	O	O	O	O	O
输入插座铜片 COPPER PIN	X	O	O	O	O	O
陶瓷 CERAMIC	X	O	O	O	O	O
电路板上的锡点 SOLDER POINT ON CIRCUIT	X	O	O	O	O	O
铝合金 ALUMINUM ALLOY	X	O	O	O	O	O
二极管和三极管中的锡点 SOLDER POINTS ON DIODE AND TRIODE	X	O	O	O	O	O

O: 表示该有毒有害物质在这部件中所有同质材料中的含量均在SJ/T 11363-2006规定的限量要求以下。
O: refers to the concentration of this hazard substance in the all homogenous materials in this part is below the concentration limit as stipulated in the standard SJ/T 11363-2006.

X: 表示该有毒有害物质至少在这部件中的某一同质材料中的含量超出 SJ/T 11363-2006规定的限量要求。
X: refers to the concentration of this hazard substance at least in a homogenous material is higher than the concentration limit as stipulated in the standard SJ/T 11363-2006.



186 Veterans Dr. Northvale, NJ 07647
Tel. 201-784-1000 Fax 201.784.0111

DWG TITLE: SWITCHING POWER SUPPLY, 60WATT, 12V@ 0-5.0A
SINGLE OUTPUT, FAMILY DESKTOP, UNIVERSAL INPUT, ITE , ENERGY STAR

MODEL NO: GT-81081-6012-T3

REV.
C

PART NO: TR9CE5000Q00-F(R)

SHEET 6 OF 6