

PROPRIETARY INFORMATION: PROPRIETARY OF GLOBTEK, INC. ANY REPRODUCTION, DISCLOSURE OR USE OF THIS DRAWING, IN WHOLE OR IN PART, IS HEREBY PROHIBITED EXCEPT AS SPECIFIED IN WRITING BY GLOBTEK, INC.	REVISION			
	REV	DESCRIPTION	DATE	APPROVED
	A	INITIAL RELEASE, RFS.17939, MS	01/19/10	HM

PRELIMINARY



FEATURES

- 150 WATTS IN 3 x 5 x 1.75 mm FOOTPRINT WITH 20 CFM FORCED AIR
- UNIVERSAL INPUT WITH ACTIVE POWER FACTOR CORRECTION
- MEDICAL AND ITE GRADE VERSIONS
- EN55022 CLASS B COMPLIANT
- EN55011 CLASS B COMPLIANT
- EN61000-4-2, -3, -4, -5, -6, -11 COMPLIANT
- BUILT-IN EMI FILTER
- REMOTE OUTPUT SENSING OPTION
- OVERVOLTAGE PROTECTION
- CONSTANT CURRENT OVERLOAD PROTECTION OPTION
- THERMAL OVERLOAD PROTECTION
- FACTORY CONFIGURABLE OUTPUT FROM 12V TO 55V IN 0.1V INCREMENTS
- OUTPUT ISOLATED FROM EARTH GROUND BY 2121VDC
- SINGLE OUTPUT PLUS 12V FAN OUTPUT VOLTAGE
- DC INPUT, 130VDC TO 380 VDC
- CLASS I

1. ELECTRICAL SPECIFICATIONS:

INPUT

INPUT RANGE	90-264 VAC OR 130VDC TO 380 VDC
INPUT LINE FREQUENCY	47-63Hz
INPUT CURRENT	LESS THAN 4A RMS @ 90VAC
INRUSH CURRENT	60A MAXIMUM, COLD START @ 25°C, 115VAC INPUT, 120A AT 240VAC LOAD
EFFICIENCY	85% TYPICAL AT FULL LOAD, 230Vac INPUT
POWER FACTOR	0.99 TYPICAL AT FULL LOAD, 230Vac INPUT
TURN-ON DELAY	5 SECONDS MAXIMUM @ 115VAC INPUT
INPUT LINE PROTECTION	MOV TRANSIENT PROTECTED. INPUT LINE FUSE PROVIDED ON-BOARD
SOFT START	STANDARD ON ALL MODELS

OUTPUT

OUTPUT CURRENT:	15VDC
OUTPUT VOLTAGE:	10.0A WITH 20 CFM FORCED AIR COOLING OR 6.25A WITH CONVECTION COOLING
MAXIMUM POWER	150W MAXIMUM WITH CONVECTION COOLING
LOAD REGULATION	± 2% MEASURED AT THE CONNECTOR SIDE
LINE REGULATON	± 0.5% MEASURED AT THE CONNECTOR SIDE
OUTPUT RIPPLE VOLTAGE (PEAK TO PEAK):	+/-1% MAXIMUM OF NOMINAL OUTPUT VOLTAGE. MEASURED AT 20 MHz BANDWIDTH WITH 0.1µf CERAMIC CAPACITOR IN PARALLEL WITH 10 µf ELECTROLYTIC CAPACITOR CONNECTED AT THE END OF THE OUTPUT CONNECTOR.
TURN ON/OFF OVERSHOOT	5% MAXIMUM, 1ms RECOVERY TIME
HOLD-UP TIME	16mS@150W LOAD AT 115VAC INPUT
TRANSIENT RESPONSE	2% MAXIMUM DEVIATION, RETURNS TO INITIAL CONDITION IN 3 ms MAX. FOR 25% STEP LOAD FROM 10% TO 100% OF RATED LOAD.
OVERLOAD PROTECTION	PROTECTED BETWEEN 120-200% OF FULL LOAD RATING

Foot Note: Globtek Inc. will not be liable for the safety and performance of these power supplies if unauthorized access and repair occurs. End user should consult applicable UL, CSA or EN standards for proper installation instructions	DASH NO.	PART NO	REV.	DESCRIPTION	NOTES
	TABULATION BLOCK				
Limitation of Use: Globtek product are not authorized for use as mission critical components in life support, hazardous environment, nuclear or aircraft applications without prior written approval from the CEO of Globtek Inc.	TOLERANCES: DECIMALS ANGULAR .xx +/- 0.1 +/- 1° .xxx +/- .005		GlobTek, Inc. 186 Veterans Dr. Northvale, NJ 07647 www.globtek.com Tel. 201-784-1000 Fax 201.784.0111		
	INIT.BY: MS	DATE: 01/19/10			
Contents of this document are subject to change without prior notice	DRAWN: NF	DATE: 01/19/10	FSCN No.: G, Y	SIZE A	MODEL NO: GTM91110P15015-F-S REV. A
	APRVD : HM	DATE: 01/19/10	SCALE: NONE		PART NO: GTM91110P15015FSIM(R) SHEET 1 OF 6

PROPRIETARY INFORMATION:

PROPRIETARY OF GLOBTEK, INC. ANY REPRODUCTION, DISCLOSURE OR USE OF THIS DRAWING, IN WHOLE OR IN PART, IS HEREBY PROHIBITED EXCEPT AS SPECIFIED IN WRITING BY GLOBTEK, INC.

OVERLOAD: PROTECTED. 120 -180% OF MAXIMUM LOAD.
UNIT WILL AUTORECOVER UPON REMOVAL OF OVERLOAD.

SHORT CIRCUIT OVERVOLTAGE: PROTECTED. AUTORECOVER UPON REMOVAL OF SHORT PROTECTED.120- 180% OF NOMINAL OUTPUT, AC CYCLING REQUIRED TO RESTORE OUTPUT. AUTORECOVER UPON REMOVAL OF OVER VOLTAGE

REMOTE SENSE(OPTIONAL): COMPENSATE FOR UP TO 0.5V LEAD VOLTAGE DROP. POWER SUPPLY WILL OPERATE WITHOUT REMOTE SENSE CONNECTION.

INDICATOR FAN VOLTAGE: GREEN LED FOR OUTPUT PRESENCE
12V, 200 mA MAXIMUM

ENVIRONMENTAL

OPERATING TEMPERATURE: 0° TO 70°C . DERATE OUTPUT POWER FROM 40°C TO 70°C PER GRAPH ON PAGE 6.

COOLING FOR 240W VERSION: 20 CFM AIRFLOW REQUIRED. AIRFLOW MUST BE IN THE DIRECTION FACING THE POWER TRANSFORMER SIDE. NO SEMICONDUCTOR TO EXCEED 110°C IN CASE TEMPERATURE.

STORAGE TEMPERATURE: -40° TO 85°C

RELATIVE HUMIDITY: OPERATING; 0-90% NON-CONDENSING

ALTITUDE: UP TO 10000 FEET

RANDOM VIBRATION/ TRANSIENT DROP: MIL-STD 810E

MTBF: 200,000 HOURS @ 25° AMBIENT TEMPERATURE

SAFETY

HIPOT (PRI-SEC): 5656 VDC PRIMARY TO SECONDARY FOR ITE VERSION

EARTH LEAKAGE: < 250 uA @ 50/60Hz, 264 VAC INPUT

APPROVALS (PENDING)

ITE VERSION(PENDING): UL60950-1 (3RD EDITION), CUL TO 22.2 NO. 60950-1, CB REPORT, DEMKO TO EN60950-1

MEDICAL VERSION (PENDING): UL 60601-1, cUL TO CSA 22.2#601, DEMKO TO EN60601-1, PSE TO J60950, CB REPORT, CE

EMI (PENDING): EN55011 AND EN55022 CLASS B AND FCC PART 15, TESTED WITH RESISTIVE LOAD. EN61000-3-2, EN61000-3-3 AND EN60601-1-2 INCLUDING EN61000-4-2, EN61000-4-3, EN61000-4-4, EN61000-4-5, EN61000-4-6, EN61000-4-8, EN61000-4-11

ROHS: COMPLIES WITH EU 2002/95/EC AND CHINA SJ/T 11363-2006



186 Veterans Dr. Northvale, NJ 07647
Tel. 201-784-1000 Fax 201.784.0111

DWG TITLE: OPEN FRAME SWITCHER , 150 WATT, 15V@ 10.0A. SINGLE OUTPUT, UNIVERSAL AC OR DC INPUT, ITE/MEDICAL, CLASS I

MODEL NO: GTM91110P15015-F-S

REV.
A

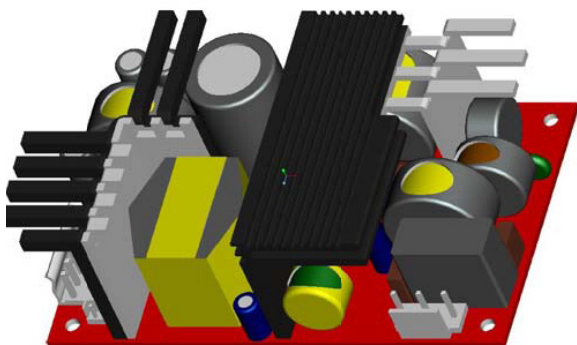
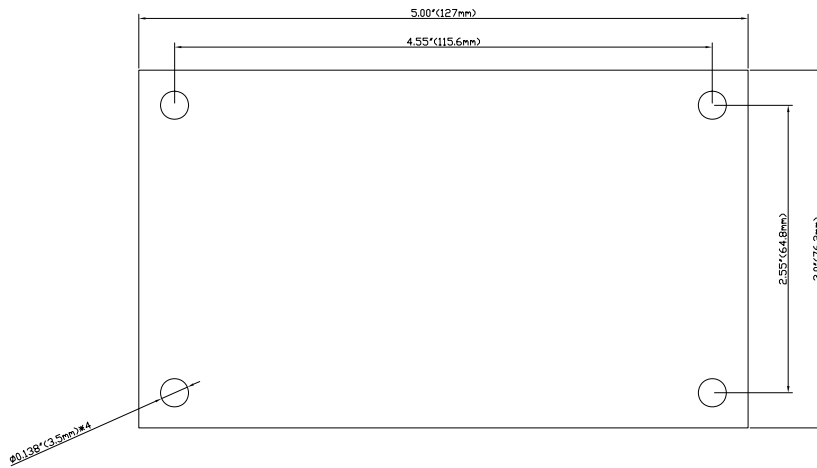
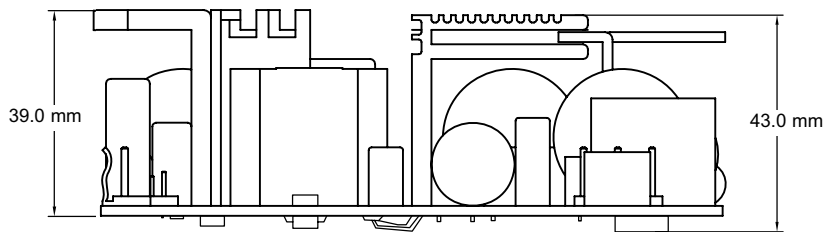
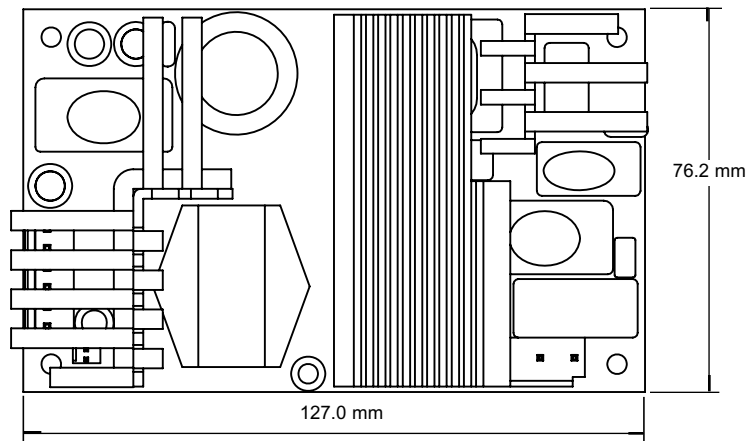
PART NO: GTM91110P15015FSIM(R)


SHEET 2 OF 6

PROPRIETARY INFORMATION:
 PROPRIETARY OF GLOBTEK, INC. ANY REPRODUCTION, DISCLOSURE OR
 USE OF THIS DRAWING, IN WHOLE OR IN PART, IS HEREBY
 PROHIBITED EXCEPT AS SPECIFIED IN WRITING BY GLOBTEK, INC.

2. MECHANICAL SPECIFICATION

SIZE: 127.0 x 76.2 x 43.0 mm



 GlobTek, Inc. www.globtek.com	186 Veterans Dr. Northvale, NJ 07647 Tel. 201-784-1000 Fax 201.784.0111	
	DWG TITLE: OPEN FRAME SWITCHER , 150 WATT, 15V@ 10.0A, SINGLE OUTPUT, UNIVERSAL AC OR DC INPUT, ITE/MEDICAL, CLASS I	
MODEL NO: GTM91110P15015-F-S	REV. A	
PART NO: GTM91110P15015FSIM(R)	SHEET 3 OF 6	

PROPRIETARY INFORMATION:

PROPRIETARY OF GLOBTEK, INC. ANY REPRODUCTION, DISCLOSURE OR USE OF THIS DRAWING, IN WHOLE OR IN PART, IS HEREBY PROHIBITED EXCEPT AS SPECIFIED IN WRITING BY GLOBTEK, INC.

3. INPUT AND OUTPUT CONNECTORS

CON 1 AC Input

Molex 5 Pin friction lock header with Pin 2 and Pin 4 removed.

Molex PN: 26-60-4050, mates with 09-50-3051 housing, 08-50-0105 pins

Pin 1: Earth Ground

Pin 2: Neutral

Pin 3: Line

CON 2 DC Output

Molex 6 Pin friction lock header.

Molex PN: 26-60-4060, mates with 09-50-3061 housing, 08-50-0105 pins

Pins 1,2,3: Common, Pins 4,5,6: V+

CON 3 Fan Voltage

Fan output, 12Vdc, 200mA maximum load.

Molex PN: 22-28-0020, mates with 22-01-2021 housing, 08-50-0113 pins

Pin 1: 12Vdc, Pin 2: Common



186 Veterans Dr. Northvale, NJ 07647
Tel. 201-784-1000 Fax 201.784.0111

DWG TITLE: OPEN FRAME SWITCHER, 150 WATT, 15V@ 10.0A, SINGLE OUTPUT,
UNIVERSAL AC OR DC INPUT, ITE/MEDICAL, CLASS I

MODEL NO: GTM91110P15015-F-S

REV.
A

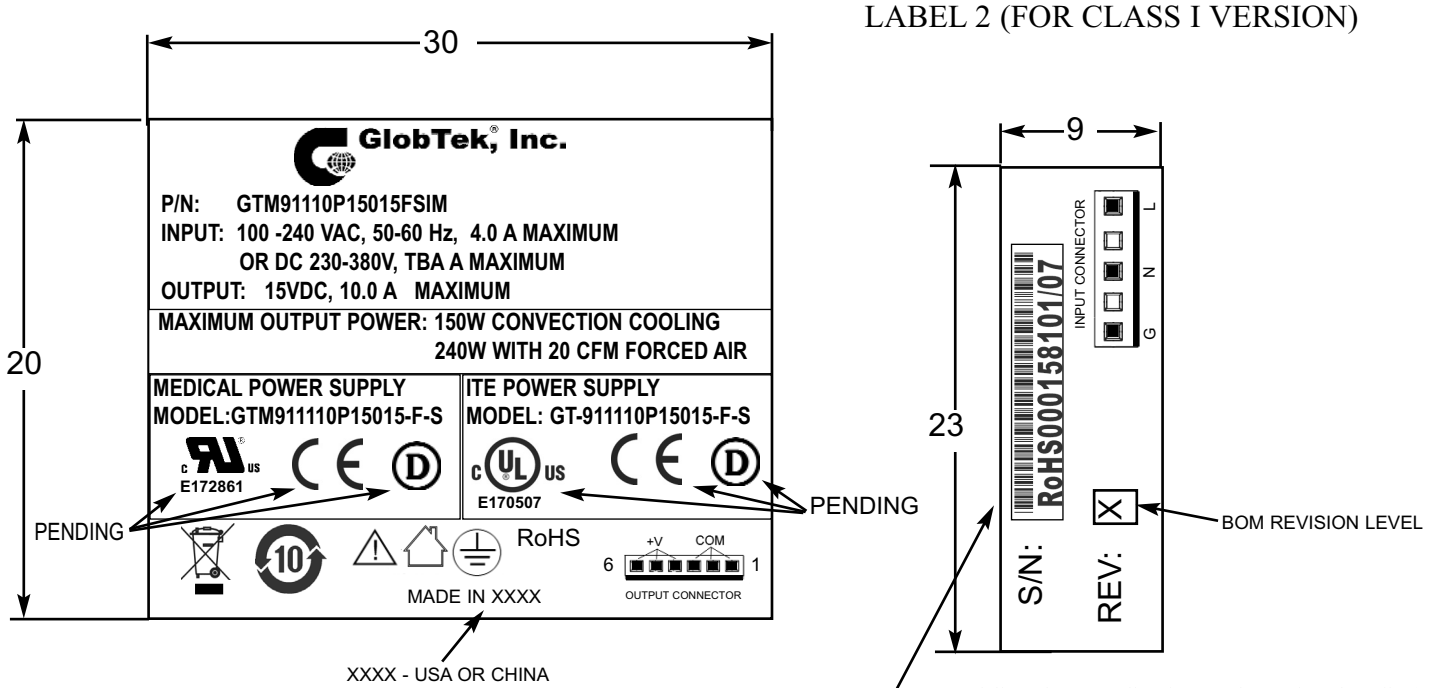
PART NO: GTM91110P15015FSIM(R)

SHEET 4 OF 6

PROPRIETARY INFORMATION:
 PROPRIETARY OF GLOBTEK, INC. ANY REPRODUCTION, DISCLOSURE OR
 USE OF THIS DRAWING, IN WHOLE OR IN PART, IS HEREBY
 PROHIBITED EXCEPT AS SPECIFIED IN WRITING BY GLOBTEK, INC.

4. LABEL:

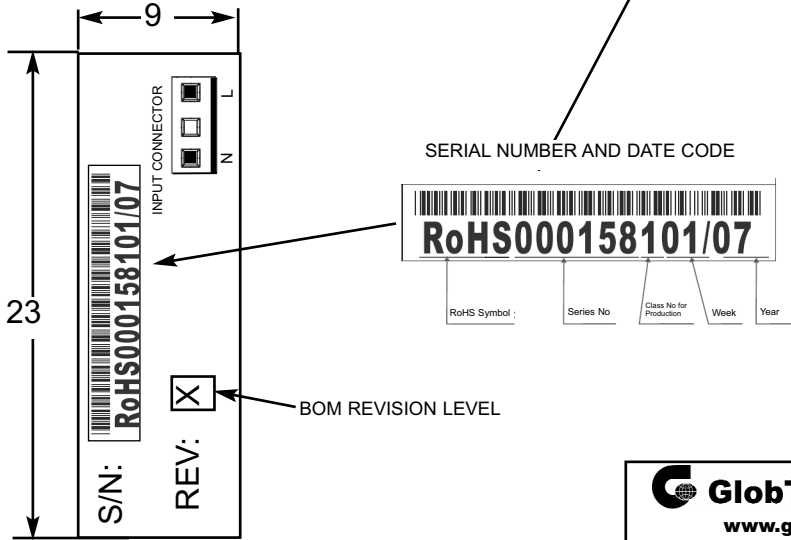
MATERIAL: .007 (0.18) THICK FLAT THERMAL TRANSFER, IMPRINTABLE, WHITE OR GRAY POLYESTER SHEET WITH BLACK NOMENCLATURE.
 MANUFACTURER: STEVEN LABEL, MATERIAL I.D. NO.3302-33, UL FILE NO. MH12821(N), UL MATERIAL
 DESIGNATION FILE NO. GHW332RL. OPTIONAL LABEL MATERIAL CAN BE SUBSTITUTED PROVIDING
 MATERIAL IS UL LISTED AND COMPLIES WITH APPLICABLE SAFETY REQUIREMENTS.



POSITION THIS LABEL ON THE VISIBLE SIDE OF CAPACITOR C1

POSITION THIS LABEL ON TOP OF CX1 FACING THE INPUT CONNECTOR

LABEL 2 (FOR CLASS II VERSION)



POSITION THIS LABEL ON TOP OF CX1 FACING THE INPUT CONNECTOR

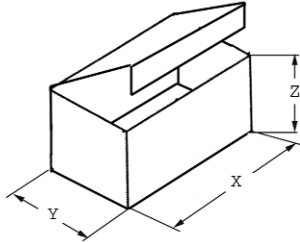
GlobTek, Inc. www.globtek.com		186 Veterans Dr. Northvale, NJ 07647 Tel. 201-784-1000 Fax 201.784.0111
DWG TITLE: OPEN FRAME SWITCHER , 150 WATT, 15V@ 10.0A, SINGLE OUTPUT, UNIVERSAL AC OR DC INPUT, ITE/MEDICAL, CLASS I		
MODEL NO:	GTM91110P15015-F-S	REV. A
PART NO:	GTM91110P15015FSIM(R)	SHEET 5 OF 6

PROPRIETARY INFORMATION:

PROPRIETARY OF GLOBTEK, INC. ANY REPRODUCTION, DISCLOSURE OR USE OF THIS DRAWING, IN WHOLE OR IN PART, IS HEREBY PROHIBITED EXCEPT AS SPECIFIED IN WRITING BY GLOBTEK, INC.

5. INDIVIDUAL PACKING BOX:

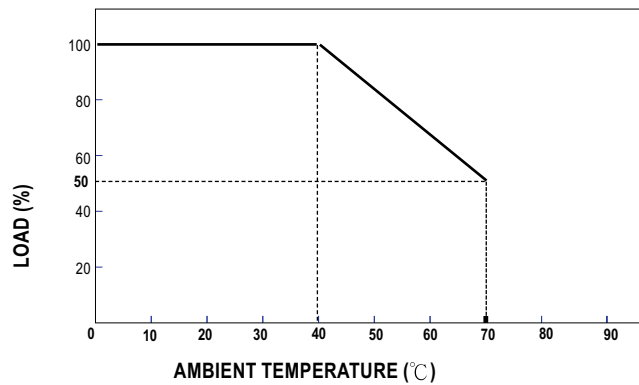
MATERIAL: CORRUGATED FIBERBOARD, F-FLUTE 0.8 (3.0) THICK, DOUBLE WALL CONSTRUCTION.
EXTERNAL FINISH: WHITE, COATED WITH GLOSS FINISH (AQUEOUS OR VARNISH) STYLE: TUCK SIDES WITH LOCKING TABS ON BOTH SIDES OF BOX. NO PRINTING ON THE OUTSIDE OF BOX.



X= TBA
Y= TBA
Z= TBA


POWER SUPPLY WILL BE CONTAINED IN A PLASTIC BAG AND INDIVIDUAL WHITE BOX.

6. OUTPUT DERATING CURVES:



NOTES:

1. ALL MEASUREMENTS ARE MADE DIRECTLY AT THE TERMINALS OF THE SUPPLY.
2. OUTPUT RIPPLE AND SPIKE ARE MEASURED DIRECTLY AT THE OUTPUT TERMINALS OF THE POWER SUPPLY WITH 10 μ F TANTALUM AND 0.1 μ F CERAMIC CAPACITORS CONNECTED IN PARALLEL. PEAK-TO-PEAK METERING EQUIPMENT MUST HAVE A 20 MHz FREQUENCY RESPONSE WITH PROBES AND CABLES THAT MAINTAIN A FREQUENCY RESPONSE OF 20Hz TO 20MHz.
3. CONDUCTED AND RADIATED EMI WERE PERFORMED WITH RESISTIVE LOAD SET TO FULL LOAD. PSU AND RESISTIVE LOAD WERE MOUNTED TOGETHER IN AN ALUMINUM PLATE.
4. REMOTE SENSE WIRE SHOULD BE TWISTED TOGETHER WHEN USED.
5. ALL MEASUREMENTS ARE MADE AT 25°C AMBIENT TEMPERATURE AND ARE TYPICAL.
6. WHEN LONG INPUT AND/OR OUTPUT WIRE HARNESSSES ARE USED, ADDITIONAL EMI FILTERING MAYBE NECESSARY. FERRITE CORE MAYBE ADDED TO THE WIRE HARNESSSES AS REQUIRED.
7. GLOBTEK PRODUCTS ARE NOT INTENDED TO BE USED AS MISSION CRITICAL SYSTEMS WITHOUT PRIOR WRITTEN APPROVAL FROM THE CEO OF GLOBTEK INC.
8. SPECIFICATIONS ARE SUBJECT TO CHANGE WITHOUT PRIOR NOTICE.

 GlobTek, Inc. www.globtek.com		186 Veterans Dr. Northvale, NJ 07647 Tel. 201-784-1000 Fax 201.784.0111
DWG TITLE: OPEN FRAME SWITCHER , 150 WATT, 15V@ 10.0A, SINGLE OUTPUT, UNIVERSAL AC OR DC INPUT, ITE/MEDICAL, CLASS I		
MODEL NO:	GTM91110P15015-F-S	REV. A
PART NO:	GTM91110P15015FSIM(R)	SHEET 6 OF 6