

PROPRIETARY INFORMATION: PROPRIETARY OF GLOBTEK, INC. ANY REPRODUCTION, DISCLOSURE OR USE OF THIS DRAWING, IN WHOLE OR IN PART, IS HEREBY PROHIBITED EXCEPT AS SPECIFIED IN WRITING BY GLOBTEK, INC.	REVISION			
	REV	DESCRIPTION	DATE	APPROVED
	A	INITIAL RELEASE, RFS.4962, DMR	11/16/04	DMR
	B	CORRECT ENCLOSURE, RFS. 5659, DMR	03/03/05	DMR
	C	UPDATE OUTPUT VOLTAGE, RFS. 7696, JB	01/04/06	DMR
	D	UPDATE SPEC., RFS. 14756, BS	10/08/08	HM
E	UPDATE O/P VOLTAGE/CURRENT, RFS. 17279, BS	10/15/09	HM	

1. NOTES:

DIMENSIONS ARE IN MM UNLESS SPECIFIED OTHERWISE.

2. ELECTRICAL SPECIFICATIONS:


INPUT VOLTAGE: 90 VAC TO 264 VAC
 INPUT CURRENT: 2.0A MAX RMS AT 90 VAC INPUT, FULL LOAD
 INPUT FREQUENCY: 47 HZ - 63 HZ
 OUTPUT VOLTAGE / CURRENT:

MODEL:	OUTPUT RATING:
GT(M)9100P10012	+12.0 V DC @ 0 - 8.3 A
GT(M)9100P10015-X.X	+15.0 V DC @ 0 - 6.67 A
GT(M)9100P10018-X.X	+18.0 V DC @ 0 - 5.5 A
GT(M)9100P10019-X.X	+19.0 V DC @ 0 - 5.26 A
GT(M)9100P10020-X.X	+20.0 V DC @ 0 - 5.00 A
GT(M)9100P10022-X.X	+22.0 V DC @ 0 - 4.54 A
GT(M)9100P12024-X.X	+24.0 V DC @ 0 - 5.0 A
GT(M)9100P12036-X.X	+36.0 V DC @ 0 - 3.33 A
GT(M)9100P12048-X.X	+48.0 V DC @ 0 - 2.5 A

NOTES:

1. EACH OUTPUT CURRENT CAN VARY WITHIN ITS DESIGNATION RANGE., AS LONG AS THE OUTPUT POWER IS NOT EXCEEDED.
2. SINGLE OUTPUT UNITS ARE AVAILABLE FROM 12V UP TO 48V IN 0.1V INCREMENTS.
3. X.X.: OPTIONAL FOR SPECIFYING OUTPUT VOLTAGE DEVIATION FROM STANDARD MODEL: SUBTRACTING X.X. VOLTS FROM STANDARD OUTPUT VOLTAGE.

OUTPUT CURRENT : SEE SPECIFIC MODEL
 OUTPUT POWER (RATED): 120 WATTS MAX, MODEL DEPENDENT
 OUTPUT RIPPLE (PEAK TO PEAK): +/-1% OR 50 mV WHICHEVER IS GREATER OF NOMINAL OUTPUT VOLTAGE. MEASURED AT 20 MHz BANDWIDTH WITH 0.1µf CERAMIC CAPACITOR IN PARALLEL WITH 10 µf ELECTROLYTIC CAPACITOR CONNECTED AT THE END OF THE OUTPUT CONNECTOR.
 OUTPUT REGULATION (LINE/LOAD): ± 5 % FOR MAIN OUTPUT, MEASURED AT O/P CONNECTOR
 LINE REGULATION: ± 1.0 % MAX AT FULL LOAD
 TURN ON/ TURN OFF OVERSHOOT: 5% MAX 500µS MAX RECOVERY TIME FOR 25% STEP LOAD
 HOLD-UP TIME: 8.0 mSEC MIN AT NOMINAL INPUT AND FULL LOAD
 OUTPUT RISE TIME: < 35 mS@115 V INPUT AT FULL LOAD
 TURN ON TIME: < 3 S @115 V INPUT AT FULL LOAD
 INRUSH CURRENT: 40 A MAX AT COLD START FOR N.A. (60A FOR EURO)
 EFFICIENCY: 80 % @115 V INPUT, TYPICAL
 SWITCHING FREQUENCY: 100 KHZ TYPICAL
 OVER-VOLTAGE PROTECTION: PROTECTED, AC CYCLING REQUIRED TO RESET OUTPUT
 OVER-CURRENT / SHORT CIRCUIT: HICCUP WITH AUTO RECOVERY UPON REMOVAL OF OVERLOAD/SHORT
 OTHER PROTECTION: INPUT LINE AND NEUTRAL FUSING
 POWER FACTOR: 0.95 MIN. AT FULL LOAD 230V INPUT VOLTAGE
 NO LOAD POWER CONSUMPTION: <2.0W @ 115V
 SAFETY APPROVALS:
 ITE MODEL: UL60950-1/3 EDITION, CUL TO 22.2# 950, DEMKO TO EN60950-1, CB REPORT, CE CLASS I
 MEDICAL: UL60601-1, CUL TO CSA 22.2# 601, DEMKO TO EN60601-1, CB REPORT, CE
 DIELECTRIC WITHSTAND VOLTAGE (ITE): 4242 VDC PRIMARY-SECONDARY; 2121 VDC PRIMARY- GROUND
 DIELECTRIC WITHSTAND VOLTAGE (MEDICAL): 5656 VDC PRIMARY-SECONDARY
 LEAKAGE CURRENT: ≤ 250 µA
 EMI: COMPLIES WITH EN55022 , EN55011, CLASS B AND FCC PART 15 CLASS B WHEN TESTED WITH A RESISTIVE LOAD, BOTH CONDUCTED AND RADIATED

Foot Note: Globtek Inc. will not be liable for the safety and performance of these power supplies if unauthorized access and repair occurs. End user should consult applicable UL, CSA or EN standards for proper installation instructions	DASH NO.	PART NO	REV.	DESCRIPTION	NOTES	
	TABULATION BLOCK					
			TOLERANCES: DECIMALS ANGULAR .xx +/- 0.1 +/- 1° .xxx +/- .005		 186 Veterans Dr. Northvale, NJ 07647 Tel. 201-784-1000 Fax 201.784.0111 www.globtek.com	
	INIT.BY: DMR	DATE: 11/16/04	MILLIMETERS ANGULAR .xx +/- 0.3 +/- 1° .xxx +/- .013			
Limitation of Use: Globtek product are not authorized for use as mission critical components in life support, hazardous environment, nuclear or aircraft applications without prior written approval from the CEO of Globtek Inc.		DWG TITLE: SWITCHING POWER SUPPLY, 100-120 WATT, SINGLE OUTPUT, FAMILY DESKTOP, UNIVERSAL INPUT, ITE				
Contents of this document are subject to change without prior notice	DRAWN: NF DATE: 11/16/04	FSCN No.: G, Y DATE: 11/16/04	SIZE A SCALE: NONE	MODEL NO: GT(M)9100P <input type="text"/>	REV. E	
	APRVD : DMR DATE: 11/16/04			PART NO: <input type="text"/>	SHEET 1 OF 5	

PROPRIETARY INFORMATION:

PROPRIETARY OF GLOBTEK, INC. ANY REPRODUCTION, DISCLOSURE OR USE OF THIS DRAWING, IN WHOLE OR IN PART, IS HEREBY PROHIBITED EXCEPT AS SPECIFIED IN WRITING BY GLOBTEK, INC.

CE MARK:

TESTED TO COMPLY WITH EN61000-3-2 EN61000-3-3, AND EN50082-1, INCLUDING EN61000-4-2, EN61000-4-3, EN61000-4-4, EN61000-4-5, EN61000-4-6, EN61000-4-11, EN60601-1-2: 2001. UNIT IS ELIGIBLE FOR CE MARK.
200,000 HOURS AT 25°C AMBIENT TEMPERATURE

MTBF:

OPERATING TEMPERATURE:

0°C TO 40° C

STORAGE TEMPERATURE:

-40°C TO 80° C

ALTITUDE:

10,000' (OPERATING), 40,000' (NON-OPERATING)

HUMIDITY:

0% TO 90% RELATIVE HUMIDITY

ROHS:

COMPLIES WITH EU 2002/95/EC AND CHINA SJ/T 11363-2006

WEIGHT:

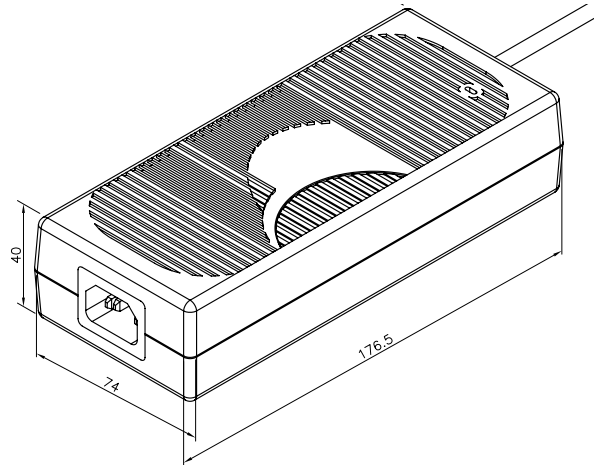
350 g

3. ENCLOSURE

UPPER HOUSING: HIGH IMPACT PLASTIC, 94V0 POLYCARBONATE, NON-VENTED, COLOR BLACK

LOWER HOUSING: HIGH IMPACT PLASTIC 94V0 POLYCARBONATE, NON- VENTED, COLOR BLACK

SIZE: 176.5 x 74.0 x 40.0 ± 1 mm



4. INDICATOR: GREEN LED, OUTPUT PRESENT

5. INPUT CONNECTOR:

CONFIGURATION: CLASS 1 MODEL IEC320 / C14, AC POWER RECEPTACLE WITH 3 MALE PRONGS

6. OUTPUT CORD:

1 CONDUCTOR+SHIELD , 18 AWG STRANDED WIRE, ROUND # 1185 CORD TYPE, COLOR BLACK,

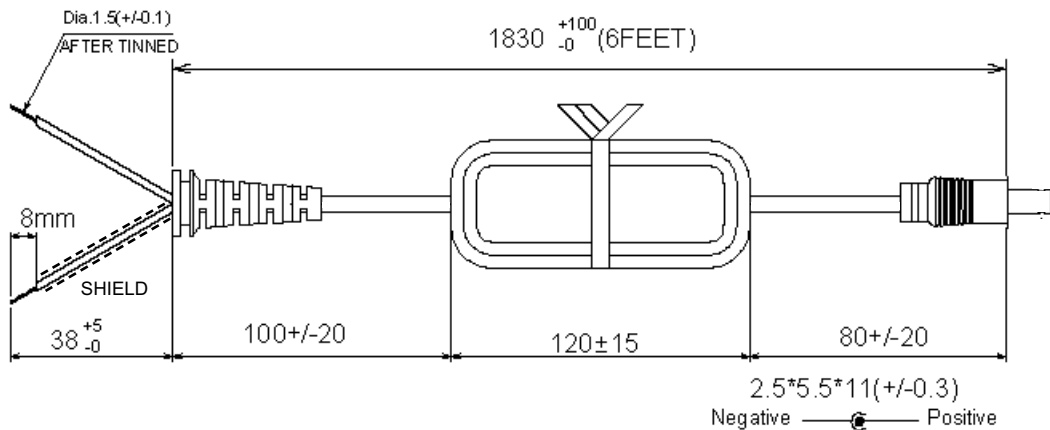
LENGTH OF CORD: 1830 +100, -0 mm. CORD IS MEASURED FROM THE HOUSING TO THE END OF OVERMOLD OF THE CONNECTOR.

CABLE IS TO BE MARKED WITH WIRE GAUGE, AND ALL APPLICABLE RATING AND SAFETY APPROVALS.

CUSTOM CORDSET AVAILABLE.

7. OUTPUT CONNECTOR:

STANDARD, STRAIGHT FEMALE BARREL IS 5.5 x 2.5 x 11 mm WITH CENTER POSITIVE:



NOTE: FOR OUTPUT PLUG/CORD OPTIONS SEE OUTPUT PLUG / CORD OPTIONS, CATALOG ACCESSORIES.

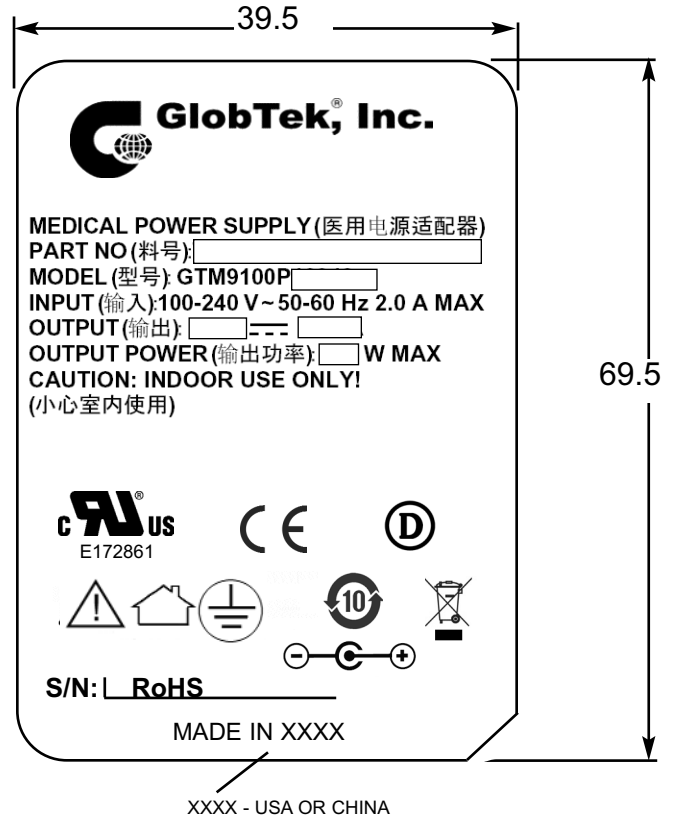
GlobTek, Inc. www.globtek.com		186 Veterans Dr. Northvale, NJ 07647 Tel. 201-784-1000 Fax 201.784.0111
DWG TITLE: SWITCHING POWER SUPPLY, 100-120 WATT, SINGLE OUTPUT, FAMILY DESKTOP, UNIVERSAL INPUT, ITE		
MODEL NO: GT(M)9100P	<input type="text"/>	REV. E
PART NO:	<input type="text"/>	SHEET 2 OF 5

PROPRIETARY INFORMATION:

PROPRIETARY OF GLOBTEK, INC. ANY REPRODUCTION, DISCLOSURE OR USE OF THIS DRAWING, IN WHOLE OR IN PART, IS HEREBY PROHIBITED EXCEPT AS SPECIFIED IN WRITING BY GLOBTEK, INC.

8. LABEL:

MATERIAL: .007 (0.18) THICK FLAT THERMAL TRANSFER, IMPRINTABLE, BLACK POLYESTER SHEET WITH WHITE NOMENCLATURE.
 MANUFACTURER: STEVEN LABEL, MATERIAL I.D. NO.3302-33, UL FILE NO. MH12821(N), UL MATERIAL DESIGNATION FILE NO. GHW332RL. OPTIONAL LABEL MATERIAL CAN BE SUBSTITUTED PROVIDING MATERIAL IS UL LISTED AND COMPLIES WITH APPLICABLE SAFETY REQUIREMENTS.



ACTUAL POSITIONING OF SYMBOLS AND TEXT IS SUBJECT TO CHANGE AT TIME OF MANUFACTURE

GlobTek, Inc. www.globtek.com		186 Veterans Dr. Northvale, NJ 07647 Tel. 201-784-1000 Fax 201.784.0111
DWG TITLE: SWITCHING POWER SUPPLY, 100-120 WATT, SINGLE OUTPUT, FAMILY DESKTOP, UNIVERSAL INPUT, ITE		
MODEL NO: GT(M)9100P []	REV. E	
PART NO: []	SHEET 3 OF 5	

PROPRIETARY INFORMATION:

PROPRIETARY OF GLOBTEK, INC. ANY REPRODUCTION, DISCLOSURE OR USE OF THIS DRAWING, IN WHOLE OR IN PART, IS HEREBY PROHIBITED EXCEPT AS SPECIFIED IN WRITING BY GLOBTEK, INC.

9. PACKING:

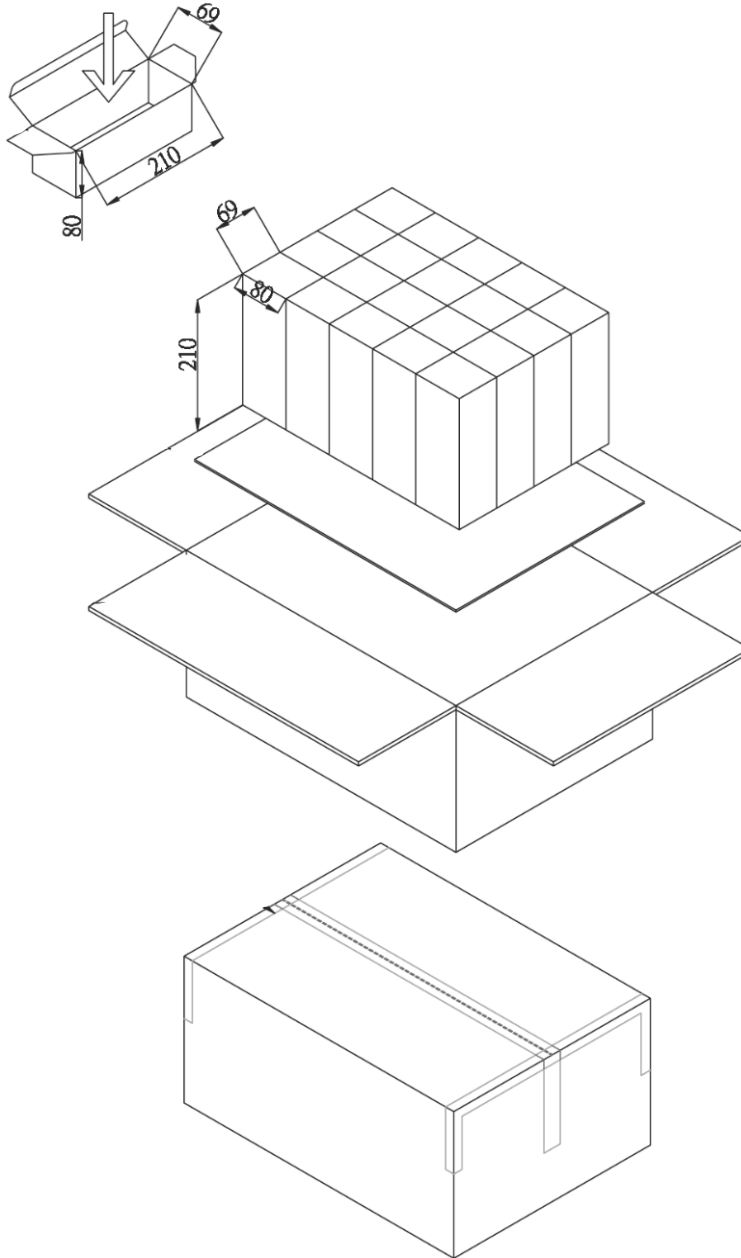
MATERIAL: CORRUGATED FIBERBOARD, F-FLUTE 0.8 (2.0) THICK, DOUBLE WALL CONSTRUCTION.

EXTERNAL FINISH: WHITE, COATED WITH GLOSS FINISH (AQUEOUS OR VARNISH) STYLE: TUCK SIDES. NO PRINTING ON THE OUTSIDE OF BOX.

CARTON SIZE: 425 x 300 x 235 +3, -0 mm

GIFT BOX SIZE: 210 x 69 x 80 ± 2 mm

20 pcs PER CARTON



GlobTek, Inc.
www.globtek.com

186 Veterans Dr. Northvale, NJ 07647
Tel. 201-784-1000 Fax 201.784.0111

DWG TITLE: SWITCHING POWER SUPPLY, 100-120 WATT, SINGLE OUTPUT,
FAMILY DESKTOP, UNIVERSAL INPUT, ITE

MODEL NO: GT(M)9100P

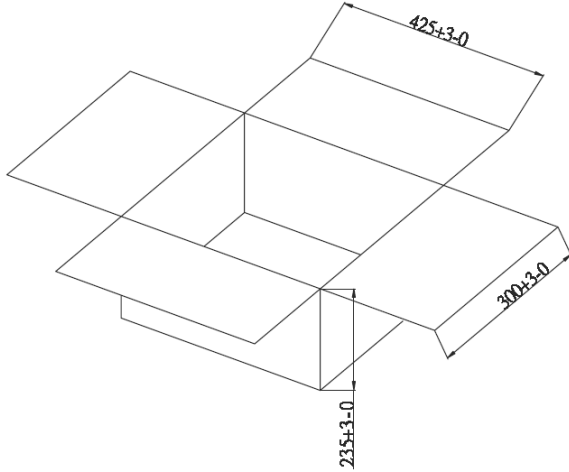
REV.
E

PART NO:

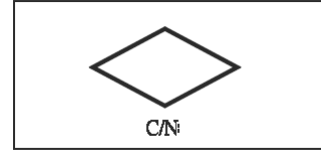
SHEET 4 OF 5

PROPRIETARY INFORMATION:
 PROPRIETARY OF GLOBTEK, INC. ANY REPRODUCTION, DISCLOSURE OR USE OF THIS DRAWING, IN WHOLE OR IN PART, IS HEREBY PROHIBITED EXCEPT AS SPECIFIED IN WRITING BY GLOBTEK, INC.

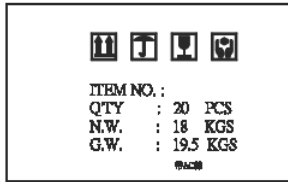
1. Box B=B



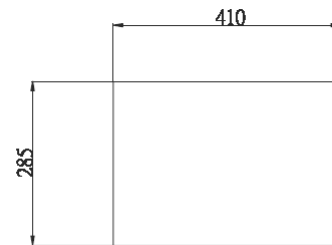
2. Box marking 1 (both sides)



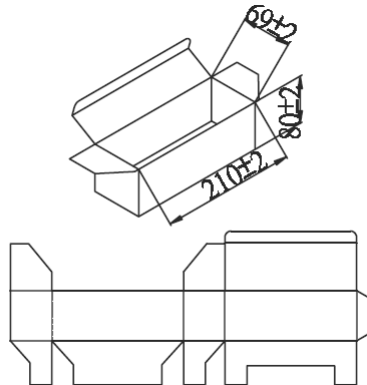
3. Box marking 2 (both sides)




4. Partition B33



5. White Box (20 pcs)



 GlobTek, Inc. www.globtek.com		186 Veterans Dr. Northvale, NJ 07647 Tel. 201-784-1000 Fax 201.784.0111	
DWG TITLE: SWITCHING POWER SUPPLY, 100-120 WATT, SINGLE OUTPUT, FAMILY DESKTOP, UNIVERSAL INPUT, ITE			
MODEL NO: GT(M)9100P <input type="text"/>			REV. E
PART NO: <input type="text"/>			SHEET 5 OF 5