

<b>PROPRIETARY INFORMATION:</b> PROPRIETARY OF GLOBTEK, INC. ANY REPRODUCTION, DISCLOSURE OR USE OF THIS DRAWING, IN WHOLE OR IN PART, IS HEREBY PROHIBITED EXCEPT AS SPECIFIED IN WRITING BY GLOBTEK, INC.	REVISION			
	REV	DESCRIPTION	DATE	APPROVED
	A	INITIAL RELEASE, RFS. 9931, DMR	11/28/06	HM
	B	UPDATE LEAKAGE CURRENT, RFS.16145, HM	07/31/09	HM



All models under this series are Certified to be in compliance with all the applicable requirements of UL60601-1 2nd Edition, CSA 22.2 No.601.1-M90 and EN 60601-1:A2. Globtek's Medical power supplies are designed to be used in applications that do not connect the output to Patient Circuits directly. The power supply can be used in systems with patient applied parts only when appropriate system level isolation is provided by the end user.

### 1. ELECTRICAL SPECIFICATIONS:

#### INPUT

INPUT VOLTAGE: 90Vac TO 264Vac  
 INPUT CURRENT: <1.6A rms AT 90Vac INPUT  
 INPUT FREQUENCY: 47HZ - 63HZ



#### OUTPUT

OUTPUT VOLTAGE:  VDC, NO LOAD TO FULL LOAD, NO MINIMUM LOAD REQUIRED  
 OUTPUT CURRENT:  A  
 RATED OUTPUT POWER:  WATTS, MAXIMUM  
 OUTPUT REGULATION: +/- 5% MEASURED AT THE OUTPUT CONNECTOR  
 LINE VOLTAGE REGULATION: +/- 1% TYPICAL MEASURED AT FULL LOAD  
 HIGH FREQ. OUTPUT RIPPLE: 1% OF OUTPUT VOLTAGE, PEAK TO PEAK, TYPICAL  
 TURN-ON/TURN-OFF OVERSHOOT: 5% MAXIMUM, 1mS TYPICAL RECOVERY TIME FOR 25% STEP LOAD  
 TURN-ON DELAY: 1 SECOND, TYPICAL  
 HOLD-UP TIME: 10mS TYPICAL AT NOMINAL INPUT VOLTAGE AND FULL LOAD  
 INRUSH CURRENT: 20A TYPICAL AT 115Vac INPUT AND 30A TYPICAL AT 230Vac INPUT  
 SWITCHING FREQUENCY: 100 KHZ TYPICAL  
 EFFICIENCY: 75% TYPICAL AT NOMINAL INPUT AND FULL LOAD  
 OUTPUT INDICATOR: GREEN LED FOR OUTPUT PRESENT

#### PROTECTION

OVER-VOLTAGE: VOLTAGE LIMITED BY CROWBAR METHOD  
 OVERLOAD: HICCUP MODE WITH AUTO-RECOVERY (UPON REMOVAL OF OVERLOAD)  
 SHORT CIRCUIT: HICCUP MODE, OUTPUT WILL AUTORECOVER UPON REMOVAL OF SHORT  
 INPUT PROTECTION: INPUT LINE AND NEUTRAL FUSING

#### SAFETY

TYPE OF PROTECTION CLASS II  
 AGAINST ELECTRIC SHOCK: DEGREE OF PROTECTION NOT CLASSIFIED (NO APPLIED PART)  
 AGAINST ELECTRIC SHOCK: DEGREE OF PROTECTION IPX0 (ORDINARY)  
 AGAINST INGRESS OF WATER: DEGREE OF SAFETY OF APPLICATION IN THE PRESENCE OF FLAMMABLE ANESTHETIC: NOT EVALUATED  
 MODE OF OPERATION: CONTINUOUS  
 DIELECTRIC WITHSTAND VOLTAGE: 5656Vdc FROM PRIMARY TO SECONDARY  
 EARTH LEAKAGE CURRENT: < 100uA at 264Vac INPUT VOLTAGE

**APPROVALS**

MEDICAL UNITS: UL 60601-1, CUL TO 22.2NO.601, TUV TO EN60601 cTUVus  
 CE FOR EMC, PSE TO J60950

EMI: COMPLIES WITH EN55022 CLASS B AND FCC PART 15 CLASS B, VCCI  
 WHEN TESTED WITH RESISTIVE LOAD, BOTH CONDUCTED AND RADIATED EMI.  
 TESTED TO COMPLY WITH EN61000-3-2 EN610003-3 AND EN50082-1  
 INCLUDING EN61000-4-2, EN61000-4-3, EN61000-4-4,  
 EN61000-4-5, EN61000-4-6, EN61000-4-11 .

MTBF: 200,000 HOURS AT 25°C AMBIENT TEMPERATURE  
 OPERATING TEMPERATURE: 0°C TO 40°C AMBIENT TEMPERATURE  
 HUMIDITY: 0% TO 90% RELATIVE HUMIDITY  
 STORAGE TEMPERATURE: -10°C TO 80°C  
 ROHS: COMPLIES WITH EU 2002/95/EC AND CHINA SJ/T 11363-2006

Foot Note: Globtek Inc. will not be liable for the safety and performance of these power supplies if unauthorized access and repair occurs. End user should consult applicable UL, CSA or EN standards for proper installation instructions  Limitation of Use: Globtek product are not authorized for use as mission critical components in life support, hazardous environment, nuclear or aircraft applications without prior written approval from the CEO of Globtek Inc.  Contents of this document are subject to change without prior notice	DASH NO.	PART NO	REV.	DESCRIPTION	NOTES	
	<b>TABULATION BLOCK</b>					
			<b>TOLERANCES:</b> DECIMALS ANGULAR .xx +/- 0.1 +/- 1° .xxx +/- .005		<b>GlobTek, Inc.</b> www.globtek.com 186 Veterans Dr. Northvale, NJ 07647 Tel. 201-784-1000 Fax 201.784.0111	
	INIT.BY: DMR	DATE: 11/28/06	MILLIMETERS ANGULAR .xx +/- 0.3 +/- 1° .xxx +/- .013	DWG TITLE: SWITCHER, <input type="text"/> WATT, <input type="text"/> V@ <input type="text"/> A SINGLE OUTPUT, FAMILY DESKTOP, UNIVERSAL INPUT, MEDICAL, CLASS II		
DRAWN: NF	DATE: 11/28/06	FSCN No.: G, N	SIZE A	MODEL NO: GTM21097- <input type="text"/> -T2	REV. B	
APRVD : HM	DATE: 11/28/06	CAGE CODE: 0GV V90 SCALE: NONE		PART NO: <input type="text"/>	SHEET 1 OF 4	

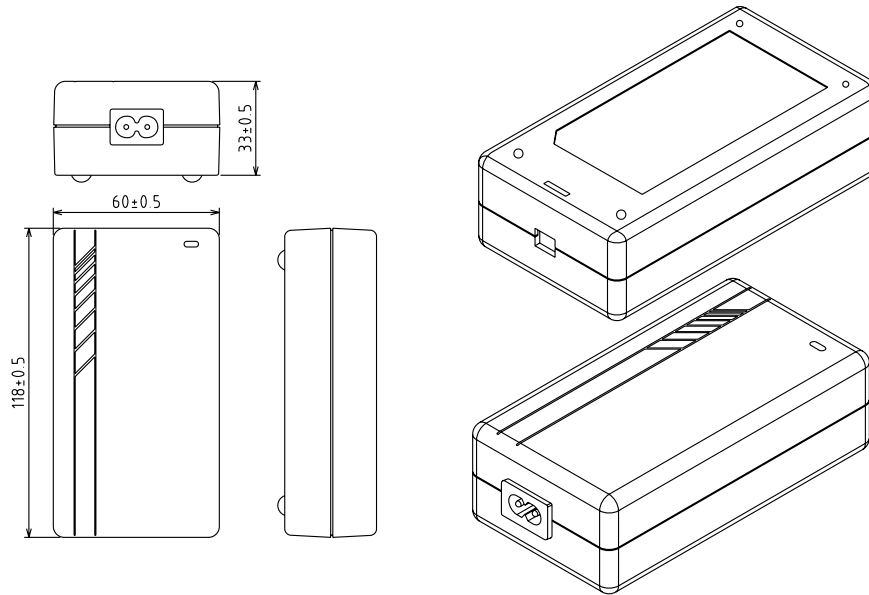
**PROPRIETARY INFORMATION:**

PROPRIETARY OF GLOBTEK, INC. ANY REPRODUCTION, DISCLOSURE OR USE OF THIS DRAWING, IN WHOLE OR IN PART, IS HEREBY PROHIBITED EXCEPT AS SPECIFIED IN WRITING BY GLOBTEK, INC.

**2. MECHANICAL SPECIFICATION**

**ENCLOSURE:**

UPPER HOUSING: HIGH IMPACT PLASTIC, 94V0 POLYCARBONATE, NON-VENTED, COLOR BLACK  
LOWER HOUSING: HIGH IMPACT PLASTIC 94V0 POLYCARBONATE, NON- VENTED, COLOR BLACK  
SIZE: 118 x 60 x 33 ± 0.5 mm



**3. INPUT AND OUTPUT CONNECTION**

**3.1. INPUT :**

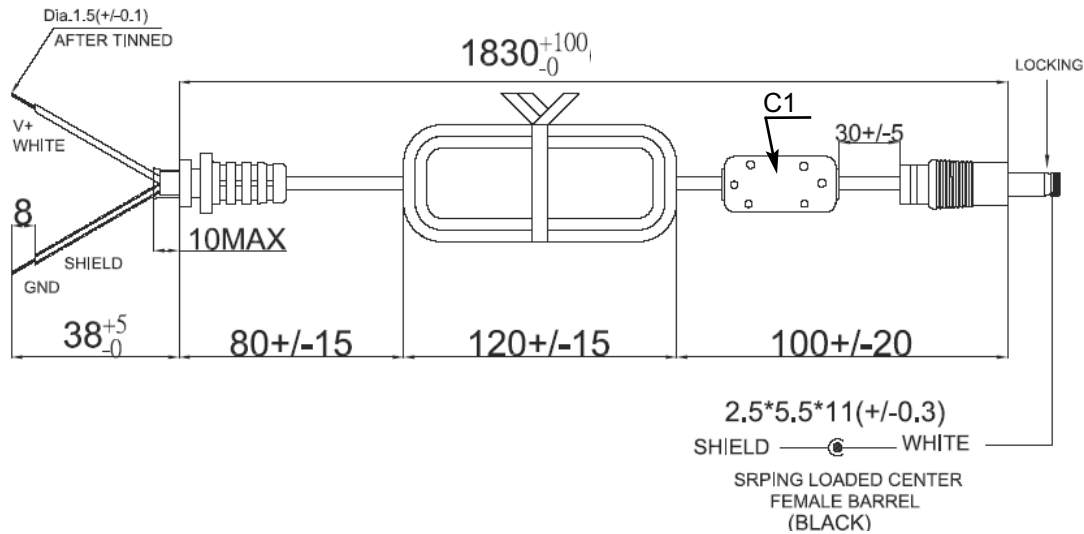
CONFIGURATION: CLASS II MODEL IEC320 / C8, AC POWER INLET WITH 2 MALE PRONGS

**3.2. OUTPUT CORD:**

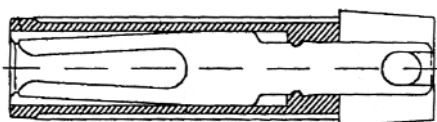
1 CONDUCTOR+SHIELD, 18 AWG STRANDED WIRE, ROUND UL 1185 CORD TYPE, COLOR BLACK , LENGTH OF CORD: 1830+100, -0 mm. CORD IS MEASURED FROM THE HOUSING TO THE END OF OVERMOLD OF THE CONNECTOR. CABLE IS TO BE MARKED WITH WIRE GAUGE, AND ALL APPLICABLE RATING AND SAFETY APPROVALS. CABLE HAS MOLDED WITH FERRITE BEAD C1 (10.5 x 20.0 x 5.6 mm) W/OVERMOLD (15.5 x 26.0 x 8.5 mm).

**3.3. OUTPUT CONNECTOR:**

STANDARD, STRAIGHT FEMALE BARREL 5.5 x 2.5 x 11 MM (SPRING LOADED WITH LOCKING NOTCH) CENTER POSITIVE



INTERNAL VIEW  
SPRING LOADED CENTER



**GlobTek, Inc.**  
www.globtek.com

186 Veterans Dr. Northvale, NJ 07647  
Tel. 201-784-1000 Fax 201.784.0111

DWG TITLE: SWITCHER, [ ] WATT, [ ] V@ [ ] A SINGLE OUTPUT,  
FAMILY DESKTOP, UNIVERSAL INPUT, MEDICAL, CLASS II

MODEL NO: GTM21097- [ ] -T2

REV.  
B

PART NO: [ ]

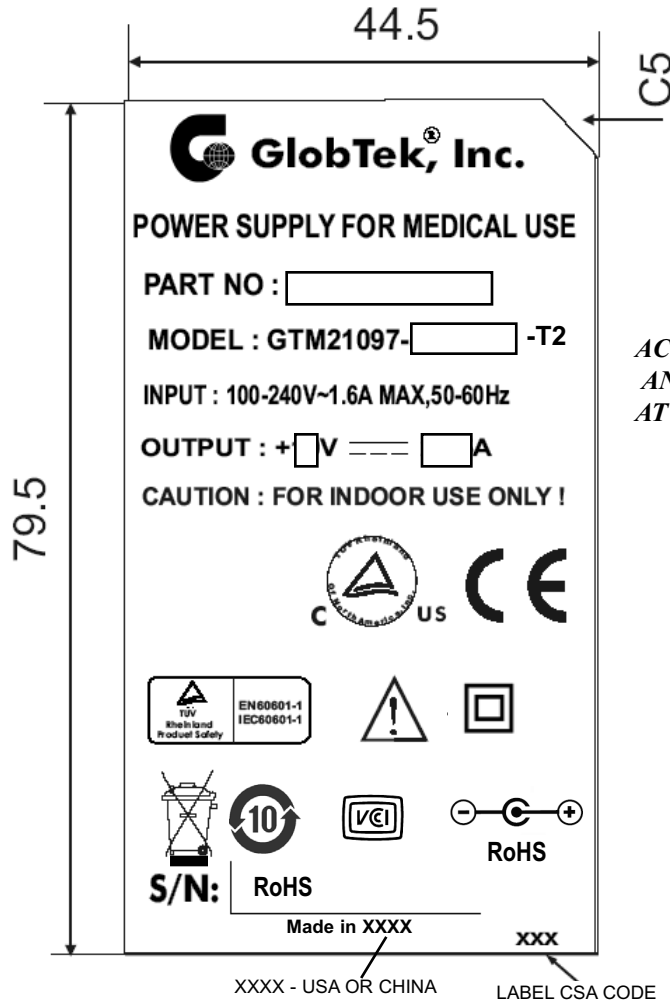
SHEET 2 OF 4

**PROPRIETARY INFORMATION:**

PROPRIETARY OF GLOBTEK, INC. ANY REPRODUCTION, DISCLOSURE OR USE OF THIS DRAWING, IN WHOLE OR IN PART, IS HEREBY PROHIBITED EXCEPT AS SPECIFIED IN WRITING BY GLOBTEK, INC.

**4. LABEL:**

MATERIAL: .007 (0.18) THICK FLAT THERMAL TRANSFER, IMPRINTABLE, BLACK POLYESTER SHEET WITH WHITE NOMENCLATURE.  
 MANUFACTURER: STEVEN LABEL, MATERIAL I.D. NO.3302-33, UL FILE NO. MH12821(N), UL MATERIAL DESIGNATION FILE NO. GHW332RL. OPTIONAL LABEL MATERIAL CAN BE SUBSTITUTED PROVIDING MATERIAL IS UL LISTED AND COMPLIES WITH APPLICABLE SAFETY REQUIREMENTS.



*ACTUAL POSITIONING OF SYMBOLS AND TEXT IS SUBJECT TO CHANGE AT TIME OF MANUFACTURE*



→ AVAILABLE UPON REQUEST



→ CAUTION: FOR INDOOR USE ONLY  
 ATTENTION: POUR UTILISATION A L'INTERUR SEULAMENT

<b>GlobTek, Inc.</b> www.globtek.com		186 Veterans Dr. Northvale, NJ 07647 Tel. 201-784-1000 Fax 201.784.0111
DWG TITLE: SWITCHER, [ ] WATT, [ ] V@ [ ] A SINGLE OUTPUT, FAMILY DESKTOP, UNIVERSAL INPUT, MEDICAL, CLASS II		
MODEL NO:	GTM21097- [ ] -T2	REV. B
PART NO:	[ ]	SHEET 3 OF 4

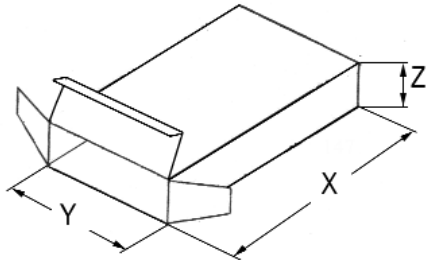
**PROPRIETARY INFORMATION:**

PROPRIETARY OF GLOBTEK, INC. ANY REPRODUCTION, DISCLOSURE OR USE OF THIS DRAWING, IN WHOLE OR IN PART, IS HEREBY PROHIBITED EXCEPT AS SPECIFIED IN WRITING BY GLOBTEK, INC.

**5. INDIVIDUAL PACKING BOX:**

MATERIAL: CORRUGATED FIBERBOARD, F-FLUTE 0.8 (2.0) THICK, DOUBLE WALL CONSTRUCTION.

EXTERNAL FINISH: WHITE, COATED WITH GLOSS FINISH (AQUEOUS OR VARNISH) STYLE: TUCK SIDES WITH LOCKING TABS ON BOTH SIDES OF BOX. NO PRINTING ON THE OUTSIDE OF BOX.



X = 147 mm  
Y = 100 mm  
Z = 33 mm


60 PCS PER CARTON  
G.W. = 19.6kg

**China RoHS SELF DISCLOSURE TABLE**

有毒有害物质或元素名称及含量标准形式 Name and concentration of hazardous substance or element in product						
零件名 Name of part	剧毒有害物质或元素 Hazardous substance or element					
	铅 Pb	汞 Hg	镉 Cd	六价铬 Cr(VI)	多溴联苯 PBB	多溴二苯醚 PBDE
输出线材料 DC CABLE	X	○	○	○	○	○
输入插座 AC SOCKET	X	○	○	○	○	○
二极管 SMD ZENER	X	○	○	○	○	○

○: 表示该有毒有害物质在这部件中所有同质材料中的含量均在SJ/T 11363-2006规定的限量要求以下。  
○: refers to the concentration of this hazard substance in the all homogenous materials in this part is below the concentration limit as stipulated in the standard SJ/T 11363-2006.

X: 表示该有毒有害物质至少在这部件中的某一同质材料中的含量超出 SJ/T 11363-2006规定的限量要求。  
X: refers to the concentration of this hazard substance at least in a homogenous material is higher than the concentration limit as stipulated in the standard SJ/T 11363-2006.

 <b>GlobTek, Inc.</b> <a href="http://www.globtek.com">www.globtek.com</a>	186 Veterans Dr. Northvale, NJ 07647 Tel. 201-784-1000 Fax 201.784.0111	
	DWG TITLE: SWITCHER, <input type="checkbox"/> WATT, <input type="checkbox"/> V@ <input type="checkbox"/> A SINGLE OUTPUT, FAMILY DESKTOP, UNIVERSAL INPUT, MEDICAL, CLASS II	
MODEL NO: GTM21097- <input type="text"/> -T2	REV. B	
PART NO: <input type="text"/>	SHEET 4 OF 4	