

| | | | | |
|--|----------|---|----------|----------|
| PROPRIETARY INFORMATION: PROPRIETARY OF GLOBTEK, INC. ANY REPRODUCTION, DISCLOSURE OR USE OF THIS DRAWING, IN WHOLE OR IN PART, IS HEREBY PROHIBITED EXCEPT AS SPECIFIED IN WRITING BY GLOBTEK, INC. | REVISION | | | |
| | REV | DESCRIPTION | DATE | APPROVED |
| | A | INITIAL RELEASE | 10/22/03 | DMR |
| | B | UPDATE RFS. 3717, DMR | 05/18/04 | DMR |
| | C | UPDATE OVERLOAD, ADD VCCI, ROHS, RFS.9692, JB | 11/07/06 | HM |



1.ELECTRICAL SPECIFICATIONS:

INPUT

INPUT VOLTAGE: 90Vac TO 264Vac
 INPUT CURRENT: <0.5Arms AT 90Vac INPUT
 INPUT FREQUENCY: 47HZ - 63HZ

OUTPUT VOLTAGE:

| MODELS | OUTPUT RATING |
|-------------------|------------------|
| GT-21097-2003 | +3.3VDC @ 0-6.0A |
| GT-21097-3005-X.X | +5.0VDC @ 0-6.0A |
| GT-21097-4509-X.X | +9.0VDC @ 0-5.0A |
| GT-21097-5012-X.X | +12VDC @ 0-4.17A |
| GT-21097-5015-X.X | +15VDC @ 0-3.3A |
| GT-21097-5018-X.X | +18VDC @ 0-2.8A |
| GT-21097-5024-X.X | +24VDC @ 0-2.1A |
| GT-21097-5048-X.X | +48VDC @ 0-1.1A |

LEGEND:

GT-2: ITE SERIES
 1097: FAMILY DESIGNATION
 X.X : OPTION FOR SPECIFYING OUTPUT VOLTAGE DEVIATION FROM STANDARD MODEL
 SUBTRACTING X.X VOLTS FROM STANDARD OUTPUT
 2003 TO 5048: POWER (20 WATTS) AND OUTPUT VOLTAGE (03V) TO POWER (50 WATTS) AND OUTPUT VOLTAGE (48V)

NOTES:

- OUTPUT COMMON IS CONNECTED TO EARTH GROUND BY DEFAULT OR WITH OPTION OF CAPACITOR INSERTED BETWEEN EARTH GROUND AND OUTPUT COMMON.
- OUTPUT VOLTAGE CAN BE CONFIGURED AT THE FACTORY FROM 3.3V TO 48V IN 0.1V INCREMENTS

| | | | | | | |
|---|--|----------------|---|--|--|--|
| Foot Note: Globtek Inc. will not be liable for the safety and performance of these power supplies if unauthorized access and repair occurs. End user should consult for the proper installation instruction the applicable UL, CSA and EN standards. | DASH NO. | PART NO | REV. | DESCRIPTION | NOTES | |
| | TABULATION BLOCK | | | | | |
| | Limitation of Use: Globtek product are not authorized for use as mission critical components in life support, hazardous environment, nuclear or aircraft applications without prior written approval from the CEO of Globtek Inc. | | TOLERANCES: DECIMALS ANGULAR .xx +/- 0.1 +/- 1° .xxx +/- .005 | | 186 Veterans Dr. Northvale, NJ 07647 Tel. 201-784-1000 Fax 201.784.0111 www.globtek.com | |
| | INIT.BY: DMR | DATE: 10/22/03 | MILLIMETERS ANGULAR .xx +/- 0.3 +/- 1° .xxx +/- .013 | DWG TITLE: SWITCHER , 20-50 WATT, SINGLE OUTPUT, FAMILY DESKTOP UNIVERSAL INPUT, ITE, CLASS II FE | | |
| DRAWN: NF | DATE: 10/22/03 | FSCN No.: G, N | SIZE A | MODEL NO: GT-21097-X.X | REV. C | |
| Contents of this document are subject to change without prior notice | APRVD : DMR | DATE: 10/22/03 | SCALE: NONE | PART NO: GT-21097-FAMILY | SHEET 1 OF 4 | |

PROPRIETARY INFORMATION:

PROPRIETARY OF GLOBTEK, INC. ANY REPRODUCTION, DISCLOSURE OR USE OF THIS DRAWING, IN WHOLE OR IN PART, IS HEREBY PROHIBITED EXCEPT AS SPECIFIED IN WRITING BY GLOBTEK, INC.

| | |
|-----------------------------|---|
| OUTPUT CURRENT: | SEE TABLE, NO LOAD TO FULL LOAD, NO MINIMUM LOAD REQUIRED |
| RATED OUTPUT POWER: | 50 WATTS, MAXIMUM |
| OUTPUT REGULATION: | +/- 5% MEASURED AT THE OUTPUT CONNECTOR |
| LINE VOLTAGE REGULATION: | +/- 1% TYPICAL MEASURED AT FULL LOAD |
| HIGH FREQ. OUTPUT RIPPLE: | 1% OF OUTPUT VOLTAGE , PEAK TO PEAK, TYPICAL |
| TURN-ON/TURN-OFF OVERSHOOT: | 5% MAXIMUM, 1mS TYPICAL RECOVERY TIME FOR 25% STEP LOAD |
| TURN-ON DELAY: | 1 SECOND, TYPICAL |
| HOLD-UP TIME: | 10mS TYPICAL AT NOMINAL INPUT VOLATAGE AND FULL LOAD |
| INRUSH CURRENT: | 20A TYPICAL AT 115Vac INPUT AND 30A TYPICAL AT 230Vac INPUT |
| SWITCHING FREQUECNCY: | 100KHZ TYPICAL |
| EFFICIENCY: | 75% TYPICAL AT NOMINAL INPUT AND FULL LOAD |
| OUTPUT INDICATOR: | GREEN LED FOR OUTPUT INDICATOR |

PROTECTION


| | |
|-------------------|---|
| OVER-VOLTAGE: | VOLTAGE LIMITED BY CROWBAR METHOD, OUTPUT WILL AUTORECOVER UPON REMOVAL OF OVER VOLTAGE |
| OVERLOAD: | HICCUP MODE, OUTPUT WILL AUTO-RECOVER UPON REMOVAL OF OVERLOAD |
| SHORT CIRCUIT: | HICCUP MODE, OUTPUT WILL AUTORECOVER UPON REMOVAL OF SHORT |
| INPUT PROTECTION: | INPUT LINE FUSING |

SAFETY

| | |
|-------------------------------|-----------------------------------|
| DIELECTRIC WITHSTAND VOLTAGE: | 4242Vdc FROM PRIMARY TO SECONDARY |
| EARTH LEAKAGE CURRENT: | < 500uA at 264Vac INPUT VOLTAGE |

APPROVALS

| | |
|------------------------|---|
| ITE UNITS : | UL 60950, CUL TO 22.2 NO. 60950, TUV TO EN60950 CLASS II WITH FUNCTIONAL EARTH, PSE TO J60950, AS/NZ 60950, CCC TO GB4943-2001, GB 9254-1998, GB 17625.1-2003 |
| EMI: | COMPLIES WITH EN55022 CLASS B AND FCC PART 15 CLASS B, VCCI WHEN TESTED WITH RESITIVE LOAD, BOTH CONDUCTED AND RADIATED EMI. |
| CE MARK: | TESTED TO COMPLY WITH EN61000-3-2 EN610003-3 AND EN50082-1 INCLUDING EN61000-4-2, EN61000-4-3, EN61000-4-4, EN61000-4-5, EN61000-4-6, EN61000-4-11 |
| MTBF: | GREATER THAN 50,000 HOURS AT 25C AMBIENT TEMPERATURE NOMINAL LINE AND FULL LOAD (MIL-217 STD) |
| OPERATING TEMPERATURE: | 0°C TO 40°C AMBIENT TEMPERATURE |
| HUMIDITY: | 0% TO 90% RELATIVE HUMIDITY |
| STORAGE TEMPERATURE: | -40°C TO 80°C |

| | | | |
|---|--|--|--------------|
|  GlobTek, Inc. www.globtek.com | | 186 Veterans Dr. Northvale, NJ 07647 Tel. 201-784-1000 Fax 201.784.0111 | |
| DWG TITLE: SWITCHER , 20-50 WATT, SINGLE OUTPUT, FAMILY DESKTOP UNIVERSAL INPUT, ITE, CLASS II FE | | | |
| MODEL NO: GT-21097-X.X | | | REV. C |
| PART NO: GT-21097-FAMILY | | | SHEET 2 OF 4 |

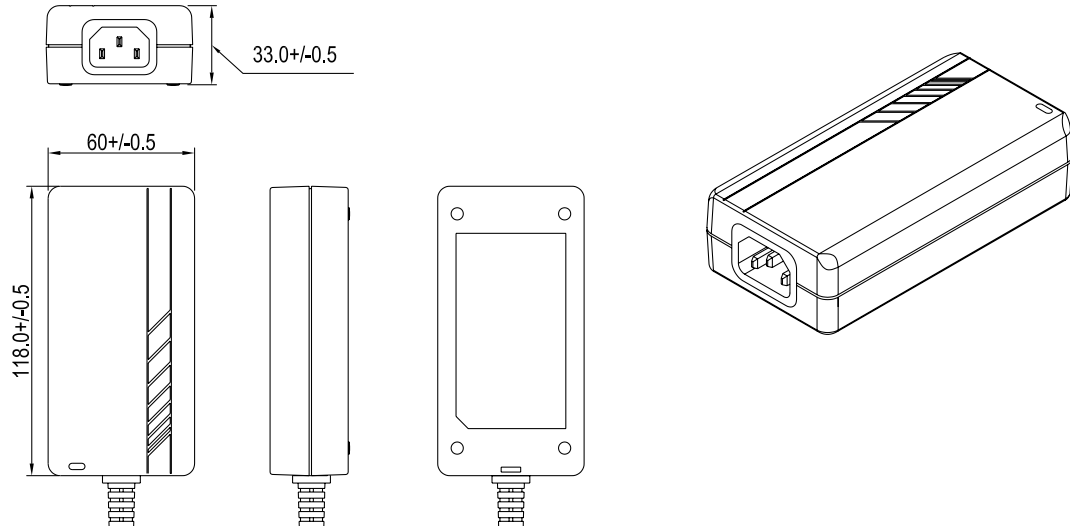
PROPRIETARY INFORMATION:

PROPRIETARY OF GLOBTEK, INC. ANY REPRODUCTION, DISCLOSURE OR USE OF THIS DRAWING, IN WHOLE OR IN PART, IS HEREBY PROHIBITED EXCEPT AS SPECIFIED IN WRITING BY GLOBTEK, INC.

2. MECHANICAL SPECIFICATION

ENCLOSURE:

UPPER HOUSING: HIGH IMPACT PLASTIC, 94V0 POLYCARBONATE, NON-VENTED, COLOR BLACK
LOWER HOUSING: HIGH IMPACT PLASTIC 94V0 POLYCARBONATE, NON- VENTED, COLOR BLACK
SIZE: 118 x 60 x 33 ± 0.5 mm



3. INPUT AND OUTPUT CONNECTION

INPUT :

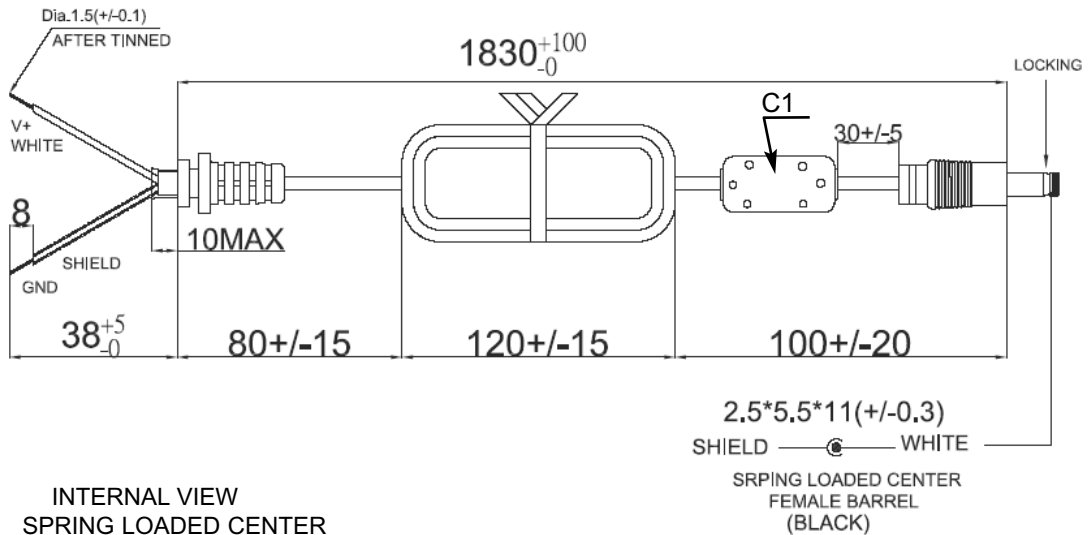
IEC320 / C14, AC POWER INLET WITH 3 MALE PRONGS

OUTPUT CORD :

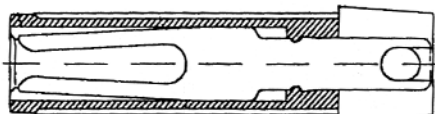
1 CONDUCTOR+SHIELD , 18 AWG STRANDED WIRE, ROUND UL 1185 CORD TYPE, COLOR BLACK, LENGTH (L) OF CORD: 1830 +100,-0 mm. CORD IS MEASURED FROM THE HOUSING TO THE END OF OVERMOLD OF THE CONNECTOR. CABLE IS TO BE MARKED WITH WIRE GAUGE, AND ALL APPLICABLE RATING AND SAFETY APPROVALS. **CABLE HAS FERRITE BEAD C1 (10.5 x 20.0 x 5.6 mm) WITH OVERMOLD (15.5 x 26.0 x 8.5 mm).**

OUTPUT CONNECTOR:

STANDARD, STRAIGHT FEMALE BARREL 5.5 x 2.5 x 11 mm (SPRING LOADED WITH LOCKING NOTCH) CENTER POSITIVE



INTERNAL VIEW
SPRING LOADED CENTER



NOTE: FOR OUTPUT PLUG/CORD OPTIONS SEE OUTPUT PLUG / CORD OPTIONS, CATALOG ACCESSORIES.

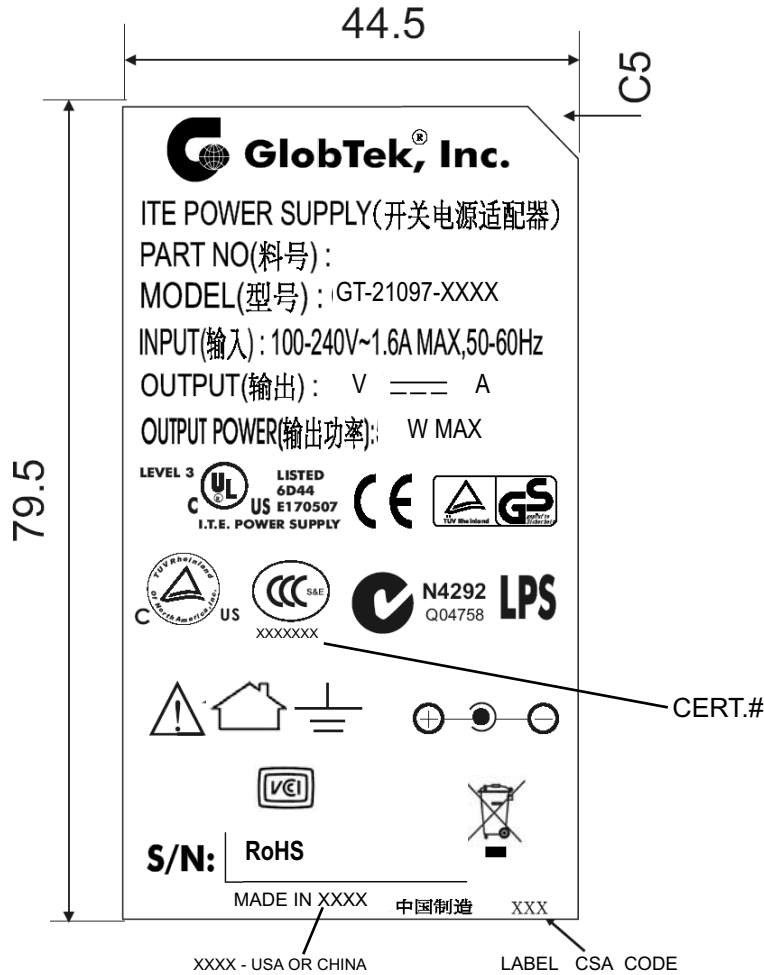
| | | |
|--|--|--|
| GlobTek, Inc. www.globtek.com | | 186 Veterans Dr. Northvale, NJ 07647 Tel. 201-784-1000 Fax 201.784.0111 |
| DWG TITLE: SWITCHER , 20-50 WATT, SINGLE OUTPUT, FAMILY DESKTOP UNIVERSAL INPUT, ITE, CLASS II FE | | |
| MODEL NO: GT-21097-X.X | | REV. C |
| PART NO: GT-21097-FAMILY | | SHEET 3 OF 4 |

PROPRIETARY INFORMATION:

PROPRIETARY OF GLOBTEK, INC. ANY REPRODUCTION, DISCLOSURE OR USE OF THIS DRAWING, IN WHOLE OR IN PART, IS HEREBY PROHIBITED EXCEPT AS SPECIFIED IN WRITING BY GLOBTEK, INC.

4. LABEL:

MATERIAL: .007 (0.18) THICK FLAT THERMAL TRANSFER, IMPRINTABLE, BLACK POLYESTER SHEET WITH WHITE NOMENCLATURE.
MANUFACTURER: STEVEN LABEL, MATERIAL I.D. NO.3302-33, UL FILE NO. MH12821(N), UL MATERIAL DESIGNATION FILE NO. GHW332RL. OPTIONAL LABEL MATERIAL CAN BE SUBSTITUTED PROVIDING MATERIAL IS UL LISTED AND COMPLIES WITH APPLICABLE SAFETY REQUIREMENTS.



ACTUAL POSITIONING OF SYMBOLS AND TEXT IS SUBJECT TO CHANGE AT TIME OF MANUFACTURE



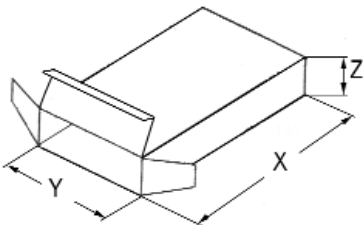
→ AVAILABLE UPON REQUEST



→ CAUTION: FOR INDOOR USE ONLY
ATTENTION: POUR UTILISATION A L'INTERIEUR SEULEMENT

6. INDIVIDUAL PACKING BOX:

MATERIAL: CORRUGATED FIBERBOARD, F-FLUTE 0.8 (2.0) THICK, DOUBLE WALL CONSTRUCTION.
EXTERNAL FINISH: WHITE, COATED WITH GLOSS FINISH (AQUEOUS OR VARNISH) STYLE: TUCK SIDES WITH LOCKING TABS ON BOTH SIDES OF BOX. NO PRINTING ON THE OUTSIDE OF BOX.



| | |
|--|--------------|
| GlobTek, Inc. 186 Veterans Dr. Northvale, NJ 07647 www.globtek.com Tel. 201-784-1000 Fax 201.784.0111 | |
| DWG TITLE: SWITCHER , 20-50 WATT, SINGLE OUTPUT, FAMILY DESKTOP UNIVERSAL INPUT, ITE, CLASS II FE | |
| MODEL NO: GT-21097-X.X | REV. C |
| PART NO: GT-21097-FAMILY | SHEET 4 OF 4 |