


PROPRIETARY INFORMATION: PROPRIETARY OF GLOBTEK, INC. ANY REPRODUCTION, DISCLOSURE OR USE OF THIS DRAWING, IN WHOLE OR IN PART, IS HEREBY PROHIBITED EXCEPT AS SPECIFIED IN WRITING BY GLOBTEK, INC.	REVISION			
	REV	DESCRIPTION	DATE	APPROVED
	A	INITIAL RELEASE, RFS. 17174, DMR	10/07/09	HM

 All models under this series are Certified to be in compliance with all the applicable requirements of UL60601-1 2nd Edition, CSA 22.2 No.601.1-M90 and EN 60601-1:A2. Globtek's Medical power supplies are designed to be used in applications that do not connect the output to Patient Circuits directly. The power supply can be used in systems with patient applied parts only when appropriate system level isolation is provided by the end user.

1. NOTES:

DIMENSIONS ARE IN MM UNLESS SPECIFIED OTHERWISE.



PRELIMINARY

2. ELECTRICAL SPECIFICATIONS:


INPUT VOLTAGE: 90-264 VAC
 INPUT CURRENT: <1.5 A RMS MAX
 INPUT FREQUENCY: 47 - 63 HZ



MODEL	OUTPUT RATING
GTM91120-3005-T2	+5VDC @ 0-4.0A
GTM91120-3007.5- X.X -T2	+7.5VDC @ 0-3.0A
GTM91120-3009- X.X-T2	+9VDC @ 0-2.8A
GTM91120-3012- X.X-T2	+12VDC @ 0-2.5A
GTM91120-3015-X.X-T2	+15VDC @ 0-2.0A
GTM91120-3018- X.X-T2	+18VDC @ 0-1.7A
GTM91120-3019- X.X-T2	+19VDC @ 0-1.6A
GTM91120-3020- X.X-T2	+20VDC @ 0-1.5A
GTM91120-3022- X.X-T2	+22VDC @ 0-1.36A
GTM91120-3024- X.X-T2	+24VDC @ 0-1.25A
GTM91120-3036- X.X-T2	+36VDC @ 0-0.83A
GTM91120-3048- X.X-T2	+48VDC @ 0-0.625A



OUTPUT VOLTAGE : VDC, NO LOAD TO FULL LOAD, NO MINIMUM LOAD REQUIRED
 OUTPUT CURRENT : A
 OUTPUT POWER (RATED): WATTS MAX
 OUTPUT RIPPLE VOLTAGE (PEAK TO PEAK): +/-1% OR 150 mV WHICHEVER IS GREATER AT NOMINAL OUTPUT VOLTAGE. MEASURED AT 20 MHz BANDWIDTH WITH 0.1µf CERAMIC CAPACITOR IN PARALLEL WITH 10 µf ELECTROLYTIC CAPACITOR CONNECTED AT THE END OF THE OUTPUT CONNECTOR.
 OUTPUT REGULATION: ± 5 % OF NOMINAL OUTPUT VOLTAGE, MEASURED AT O/P CONNECTOR AT NOMINAL LINE
 LINE REGULATION: ± 2 % MAX AT FULL LOAD
 TURN ON/ TURN OFF OVERSHOOT: 5% MAX 500µS MAX RECOVERY TIME FOR 25% TO 50% STEP LOAD
 TURN-ON DELAY: 2 SEC MAX AT FULL LOAD
 HOLD-UP TIME: 8 mSEC MIN AT NOMINAL INPUT AND FULL LOAD
 INRUSH CURRENT: 40 A MAX AT COLD START 120 VAC, 60A MAX COLD START 230VAC
 SWITCHING FREQUENCY: 100 KHz TYPICAL
 OVER-VOLTAGE PROTECTION: PROTECTED, HICCUP WITH AUTO RECOVERY
 OVER-LOAD: PROTECTED, HICCUP WITH AUTO RECOVERY
 SHORT CIRCUIT: PROTECTED, HICCUP WITH AUTO RECOVERY
 EFFICIENCY: 87% < AVERAGE EFFICIENCY IN ACTIVE MODE, 0.3W ≥ NO-LOAD
 INTERNATIONAL EFFICIENCY COMPLIANCE: EFFICIENCY LEVEL V REGISTERED WITH EPA ENERGY STAR® PROGRAM VERSION 2.0, COMPLIES WITH U.S. ENERGY INDEPENDENCE AND SECURITY ACT OF 2007 (EISA), CALIFORNIA ENERGY COMMISSION (CEC), EU ECO-DESIGN DIRECTIVE 2005/32/EC (EC REGULATION 278/2009), AUSTRALIAN / NEW-ZELAND MEPS (AS/NZS4665), CHINA ENERGY COUNCIL (CECP), EUROPEAN CODE OF CONDUCT FOR POWER SUPPLY EFFICIENCY
 OUTPUT INDICATOR: BLUE LED FOR OUTPUT PRESENT
 OTHER PROTECTION: INPUT LINE AND NEUTRAL FUSING
 SAFETY MEDICAL APPROVALS (PENDING) : UL60601-1, CUL TO 22.2 # 601, SIQ TO EN60601-1, CE, CB REPORT C-TICK TO AS/NZ 60950-1 EK TO K60950-1
 SAFETY ITE APPROVALS (PENDING) : UL60950-1, CUL TO 22.2 # 950, SIQ TO EN60950-1, CE, CB REPORT C-TICK TO AS/NZ 60950-1 EK TO K60950-1
 DIELECTRIC WITHSTAND VOLTAGE: 5656 VDC PRIMARY-SECONDARY (FOR MEDICAL)
 4242 VDC PRIMARY-SECONDARY (FOR ITE)
 LEAKAGE CURRENT: ≤ 0.3 mA AT 240 VAC
 EMI: COMPLIES WITH EN55011 AND EN55022 CLASS B, VCCI AND FCC PART 15 CLASS B WHEN TESTED WITH A RESISTIVE LOAD, BOTH CONDUCTED AND RADIATED EMI

Foot Note: Globtek Inc. will not be liable for the safety and performance of these power supplies if unauthorized access and repair occurs. End user should consult for the proper installation instruction the applicable UL, CSA and EN standards. Limitation of Use: Globtek product are not authorized for use as mission critical components in life support, hazardous environment, nuclear or aircraft applications without prior written approval from the CEO of Globtek Inc. Contents of this document are subject to change without prior notice	DASH NO.	PART NO	REV.	DESCRIPTION	NOTES	
	TABULATION BLOCK					
	TOLERANCES: DECIMALS ANGULAR .xx +/- 0.1 +/- 1° .xxx +/- .005		MILLIMETERS ANGULAR .xx +/- 0.3 +/- 1° .xxx +/- .013		 186 Veterans Dr. Northvale, NJ 07647 Tel. 201-784-1000 Fax 201.784.0111 www.globtek.com	
	INIT.BY: DMR	DATE: 10/07/09	FSCN No.: G, N	SIZE: A	DWG TITLE: WALL PLUG-IN SWITCHING POWER SUPPLY, <input type="text"/> WATTS, N.A., EURO. UK, SAA UNIVERSAL INPUT, MEDICAL, CLASS II MODEL NO: GTM91120-WVVV-X.X-T2 REV. A	
DRAWN: NF	DATE: 10/07/09	SCALE: NONE		PART NO: <input type="text"/>	SHEET 1 OF 4	



USE "IM" TYPE PART # FOR 'IT' TYPES

PROPRIETARY INFORMATION:

PROPRIETARY OF GLOBTEK, INC. ANY REPRODUCTION, DISCLOSURE OR USE OF THIS DRAWING, IN WHOLE OR IN PART, IS HEREBY PROHIBITED EXCEPT AS SPECIFIED IN WRITING BY GLOBTEK, INC.

CE MARK:

TESTED TO COMPLY WITH EN 60601-1-2:2001, EN61000-3-2, EN61000-3-3, INCLUDING EN61000-4-2, EN61000-4-3, EN61000-4-4, EN61000-4-5, EN61000-4-6, EN61000-4-8, EN61000-4-11
200,000 HOURS AT 25°C AMBIENT TEMPERATURE
0°C TO 40° C
-40°C TO 80° C
0% TO 90% RELATIVE HUMIDITY
COMPLIES WITH EU 2002/95/EC AND CHINA SJ/T 11363-2006

MTBF:

OPERATING TEMPERATURE:

STORAGE TEMPERATURE:

HUMIDITY:

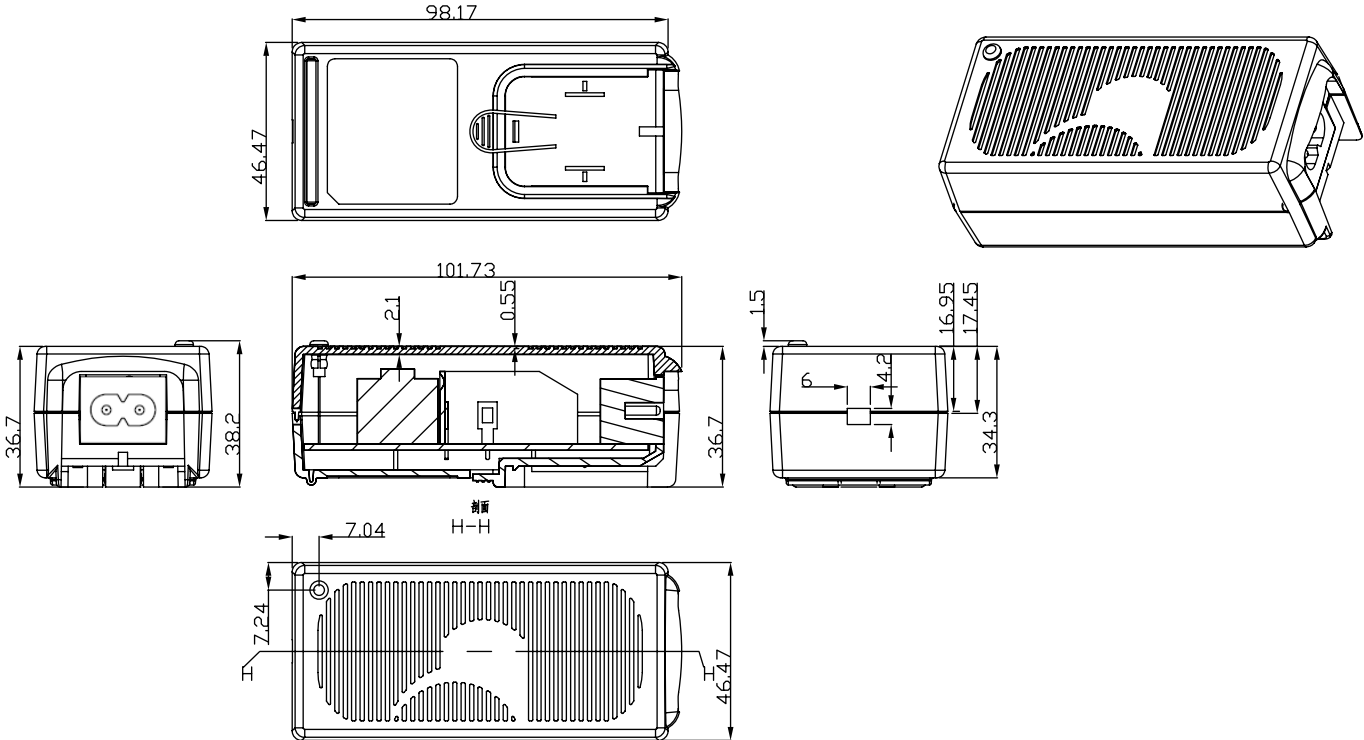
ROHS:

3. ENCLOSURE:

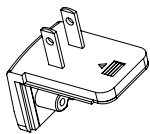
UPPER HOUSING: HIGH IMPACT PLASTIC, 94V0 POLYCARBONATE, NON-VENTED, COLOR BLACK

LOWER HOUSING: HIGH IMPACT PLASTIC 94V0 POLYCARBONATE, NON-VENTED, COLOR BLACK

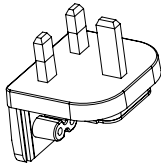
SIZE: 101.73 x 46.47 x 36.7 ± 1 mm



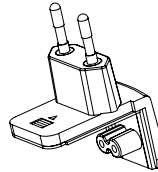
CHANGEABLE BLADE ACCESSORY KIT FOR WALL PLUG-IN APPLICATIONS



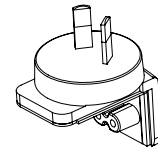
P/N: R-NA-2(R)
NORTH AMERICA
CHINA
JAPAN



P/N: R-UK-2(R)
UNITED KINGDOM
HONG KONG
SINGAPORE



P/N: R-EU-2(R)
EUROPE
SOUTH AMERICA



P/N: R-SAA-2(R)
AUSTRALIA

INPUT CONNECTORS OPTIONS		Input connector
Pins or Kits must be ordered separately		R-Kit-2(R)
1	CLASS II MODEL NEMA 1-15P AC POWER PLUG WITH 2 PRONGS, R-NA-2(R)	X
2	AUSTRALIAN CONFIGURATION: SAA 2 PINS CLASS II, R-SAA-2(R)	X
3	UK CONFIGURATION: UK 2 PINS CLASS II, R-UK-2(R)	X
4	EUROPEAN CONFIGURATION: EUROPLUG 2 PINS, CLASS II, R-EU-2(R)	X

4. INDICATOR: BLUE LED FOR OUTPUT PRESENT

5. INPUT CONNECTOR: IEC320/C8 AC POWER INLET WITH 2 MALE PRONGS

GlobTek, Inc.
www.globtek.com

186 Veterans Dr. Northvale, NJ 07647
Tel. 201-784-1000 Fax 201.784.0111

DWG TITLE: WALL PLUG-IN SWITCHING POWER SUPPLY, WATTS, N.A., EURO. UK, SAA UNIVERSAL INPUT, MEDICAL, CLASS II

MODEL NO: GTM91120-WVVV-X.X-T2

REV.
A

PART NO:

SHEET 2 OF 4

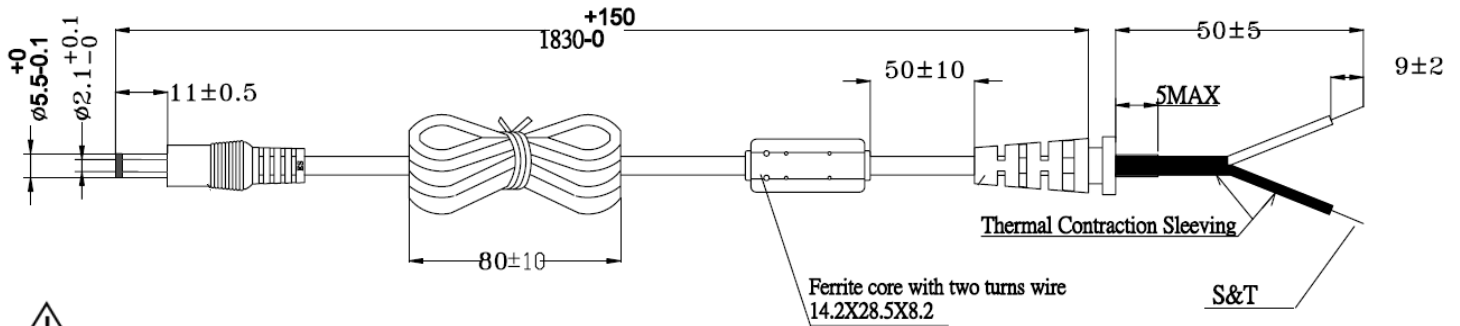
PROPRIETARY INFORMATION:
 PROPRIETARY OF GLOBTEK, INC. ANY REPRODUCTION, DISCLOSURE OR USE OF THIS DRAWING, IN WHOLE OR IN PART, IS HEREBY PROHIBITED EXCEPT AS SPECIFIED IN WRITING BY GLOBTEK, INC.

6. OUTPUT CORD:

1 CONDUCTOR+SHIELD, 18 AWG STRANDED WIRE, ROUND UL# 1185, COLOR BLACK, LENGTH (L) OF CORD: 1830 +150, -0 mm. CORD IS MEASURED FROM THE HOUSING TO THE END OF OVERMOLD OF THE CONNECTOR. CABLE IS TO BE MARKED WITH WIRE GAUGE, AND ALL APPLICABLE RATING AND SAFETY APPROVALS. CABLE HAS MOLDED INLINE FERRITE (OPTIONAL).

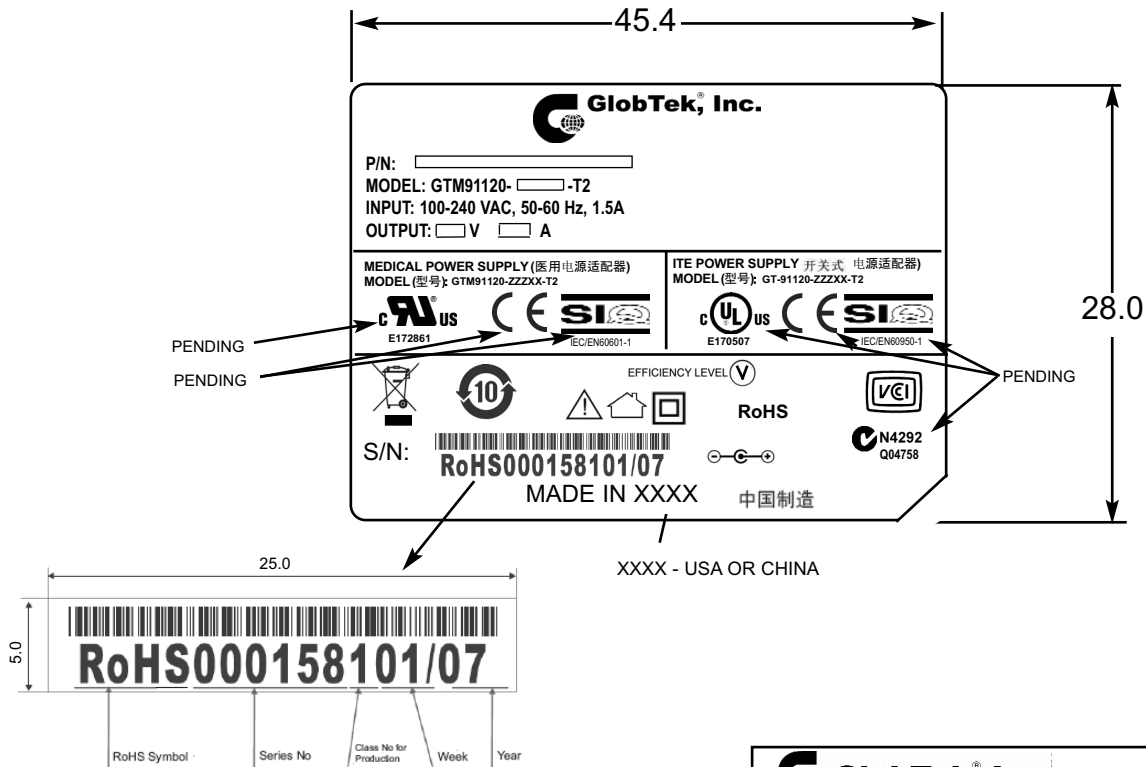
7. OUTPUT CONNECTOR:

STANDARD, STRAIGHT FEMALE BARREL 5.5 x 2.1 x 11 mm WITH CENTER POSITIVE:



8. LABEL:

MATERIAL: .007 (0.18) THICK FLAT THERMAL TRANSFER, IMPRINTABLE, BLACK POLYESTER SHEET WITH WHITE NOMENCLATURE. MANUFACTURER: STEVEN LABEL, MATERIAL I.D. NO.3302-33, UL FILE NO. MH12821(N), UL MATERIAL DESIGNATION FILE NO. GHW332RL. OPTIONAL LABEL MATERIAL CAN BE SUBSTITUTED PROVIDING MATERIAL IS UL LISTED AND COMPLIES WITH APPLICABLE SAFETY REQUIREMENTS.



ACTUAL POSITIONING OF SYMBOLS AND TEXT IS SUBJECT TO CHANGE AT TIME OF MANUFACTURE



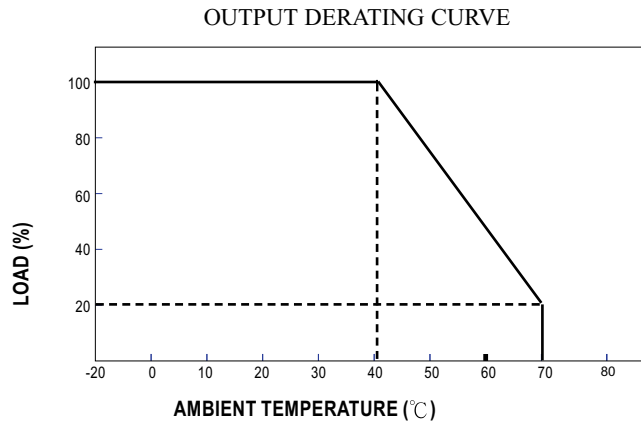
→ AVAILABLE UPON REQUEST

GlobTek, Inc. www.globtek.com		186 Veterans Dr. Northvale, NJ 07647 Tel. 201-784-1000 Fax 201.784.0111
DWG TITLE: WALL PLUG-IN SWITCHING POWER SUPPLY, [] WATTS, N.A., EURO, UK, SAA UNIVERSAL INPUT, MEDICAL, CLASS II		
MODEL NO: GTM91120-WVVV-X.X-T2	REV. A	
PART NO: []	SHEET 3 OF 4	

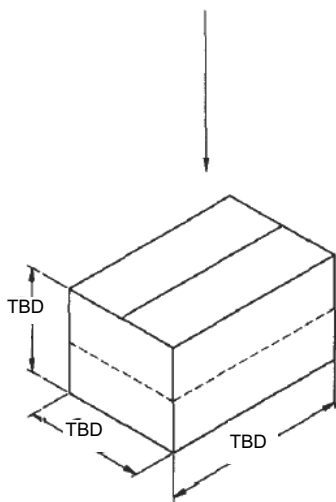
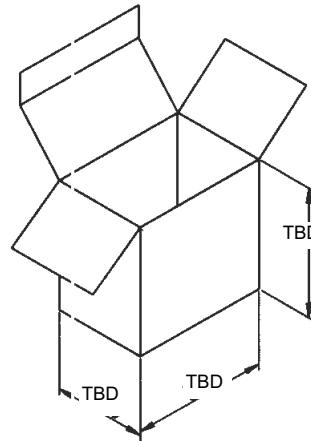
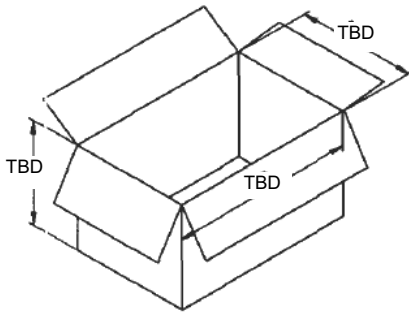
PROPRIETARY INFORMATION:

PROPRIETARY OF GLOBTEK, INC. ANY REPRODUCTION, DISCLOSURE OR USE OF THIS DRAWING, IN WHOLE OR IN PART, IS HEREBY PROHIBITED EXCEPT AS SPECIFIED IN WRITING BY GLOBTEK, INC.

9. OUTPUT DERATING CURVE :



10. PACKING:



CARTON SIZE: TBD
Q'TY: TBD
G.W.: TBD

GlobTek, Inc.
www.globtek.com

186 Veterans Dr. Northvale, NJ 07647
Tel. 201-784-1000 Fax 201.784.0111

DWG TITLE: WALL PLUG-IN SWITCHING POWER SUPPLY, WATTS,
N.A., EURO. UK, SAA UNIVERSAL INPUT, MEDICAL, CLASS II

MODEL NO: GTM91120-WVVV-X.X-T2

REV.
A

PART NO:

SHEET 4 OF 4