

ISO 9001:2000  
REGISTERED**0-19 Watts, DeskTop, Universal Input,  
Single Output Family, ITE Class I & II**Part Number Ordering System (See Page 224)  
Output Plug/Cord Options (See Page 189)  
Medical Versions (See Page 26)**ELECTRICAL SPECIFICATIONS:****INPUT VOLTAGE:**

90 VAC TO 264 VAC

**INPUT CURRENT:**

&lt; 0.5A RMS AT 90 VAC INPUT

**INPUT FREQUENCY:**

47 HZ - 63 HZ

**OUTPUT CURRENT:**

NO MINIMUM LOAD REQUIRED

**OUTPUT POWER (RATED):**

19 WATTS MAX

**OUTPUT RIPPLE (PEAK TO PEAK):**

1% OF OUTPUT VOLTAGE, PEAK TO PEAK, TYPICAL

**OUTPUT REGULATION (LINE/LOAD):**

± 5% MEASURED AT THE OUTPUT CONNECTOR

**LINE REGULATION:**

±1% TYPICAL MEASURED AT FULL LOAD

**TURN ON/ TURN OFF OVERTHOOT:**

5% MAXIMUM, 1ms TYPICAL RECOVERY TIME FOR 25% STEP LOAD

**TURN-ON DELAY:**

1 SECOND, TYPICAL

**HOLD-UP TIME:**

10ms TYPICAL AT NOMINAL INPUT VOLTAGE AND FULL LOAD

**INRUSH CURRENT:**

30A TYPICAL AT 115Vac INPUT AND 40A TYPICAL AT 230 VAC INPUT

**EFFICIENCY:**

75% TYPICAL AT NOMINAL INPUT AND FULL LOAD

**SWITCHING FREQUENCY:**

100KHZ TYPICAL, VARIES WITH LINE AND LOAD

**OVER-VOLTAGE PROTECTION:**

VOLTAGE LIMITED TO LESS THAN 130%, CROWBAR METHOD

**OVER-CURRENT / SHORT CIRCUIT:**

CONSTANT CURRENT METHOD / MOMENTARY SHORT CIRCUIT PROTECTED, OUTPUT WILL AUTORECOVER UPON REMOVAL OF SHORT.

**OTHER PROTECTION:**

INPUT FUSING; LINE FUSING

**SAFETY APPROVALS:****ITE MODELS:**

UL 60950, CUL TO 22.2NO.60950, TUV TO EN60950 AND cTUVus TO UL 60950 FOR CLASS II FE AND CLASS II; CE FOR EMC, KTL EK MARK TO 60950 (FOR GT-21089-0909T3 ~ GT-21089-1305-T3), CHINESE CCC MARK TO GB4943-2001, GB9254-1998, GB17625.1-2003 (GT-21089-T3 FROM 5~18V OUTPUT), PSE TO J60950, C-TICK, POLAND PCBC TO EN60950, DEMKO TO EN60950, ARGENTINA S-MARK, CB REPORT.

**DIELECTRIC WITHSTAND VOLTAGE:**4242VDC (3000VAC) FROM PRIMARY TO SECONDARY,  
2121VDC (1500VAC) PRIMARY TO GROUND**EARTH LEAKAGE CURRENT:**

&lt; 300uA AT 264Vac INPUT VOLTAGE

**LINE SURGE:**

EN 61000-4-5 LEVEL 4

**EMI:**

COMPLIES WITH EN55022 CLASS B AND FCC PART 15 CLASS B WHEN TESTED WITH RESISTIVE LOAD, BOTH CONDUCTED AND RADIATED EMI

**CE MARK:**

EN55011, Group 1, Class B, EN5022 Class B, EN55011, Group 1, Class B; EN55024 / EN60601-1-2 / IEC 61000-4-3:2002; EN55024 / EN60601-1-2 / IEC 61000-4-6:2001; EN55024 / EN60601-1-2 / IEC 61000-4-8:2001; EN55024 / EN60601-1-2 / IEC 61000-4-11:2001; EN55024 / EN60601-1-2 / IEC 61000-4-4:2001; EN55024 / EN60601-1-2 / IEC 61000-4-2:2001; EN55024 / EN60601-1-2 / IEC 61000-4-5:2001; EN55024 / EN 61000-3-3 A1: 2001 / EN 61000-3-3 A1: 2001; EN55024 / EN 61000-3-2:2001 / EN 61000-3-2:2001. UNIT IS ELIGIBLE FOR CE MARK.

**MTBF:**GREATER THAN 200,000 HOURS AT 25C AMBIENT TEMPERATURE  
NOMINAL LINE AND FULL LOAD PER MIL-217 STANDARD**OPERATING TEMPERATURE:**

0°C TO 40°C AMBIENT TEMPERATURE

**STORAGE TEMPERATURE:**

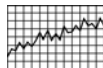
-10° C TO 80° C

**HUMIDITY:**

0% TO 90% RELATIVE HUMIDITY

**MODEL NUMBER CODE:**GT-2: INTERNAL CODE;  
1089: FAMILY DESIGNATION;  
1003 TO 1948: POWER/INPUT VOLTAGE;  
T: DESKTOP;  
3: CLASS I, PROTECTIVE GROUND;  
2: CLASS II, DOUBLE INSULATED;**NOTES:**

- EACH OUTPUT CURRENT MAY VARY WITHIN ITS DESIGNATION RANGE, AS LONG AS OUTPUT POWER IS NOT EXCEEDED.
- OUTPUTS ARE AVAILABLE FROM 3.3V-48V IN 0.1V INCREMENTS
- (X.X) OPTIONAL FOR SPECIFYING OUTPUT VOLTAGE DEVIATION FROM STANDARD MODEL: SUBTRACTING X.X VOLTS FROM STANDARD OUTPUT VOLTAGE.



SEE APPENDIX "C" FOR ELECTRICAL PERFORMANCE CURVES

**OUTPUT VOLTAGE / CURRENT:****CLASS I MODELS, PROTECTIVE GROUND**

MODEL NUMBER	OUTPUT VOLTAGE (VDC)	OUTPUT CURRENT (A)	RATED OUTPUT POWER (W)
GT-21089-1003-T3	+3.3	0 - 2.6	0-9
GT-21089-1305-1.0-T3	+4.0	0 - 2.6	0-10
GT-21089-1305-X.X-T3	+5.0	0 - 2.6	0-13
GT-21089-1506-X.X-T3	+6.0	0 - 2.5	0-15
GT-21089-1509-2.0-T3	+7.0	0 - 2.0	0-15
GT-21089-1509-1.0-T3	+8.0	0 - 1.8	0-15
GT-21089-1509-X.X-T3	+9.0	0 - 1.7	0-15
GT-21089-1512-2.0-T3	+10.0	0 - 1.5	0-15
GT-21089-1512-1.0-T3	+11.0	0 - 1.3	0-15





ISO 9001:2000  
REGISTERED



**0-19 Watts, Desk Top, Universal Input,  
Single Output Family, ITE, Class I & II**

Part Number Ordering System (See Page 224)  
Output Plug/Cord Options (See Page 189)  
Medical Models (See Page 26)



**OUTPUT VOLTAGE / CURRENT:  
CLASS I MODELS, FUNCTIONAL GROUND**

MODEL NUMBER	OUTPUT VOLTAGE (VDC)	OUTPUT CURRENT (A)	RATED OUTPUT POWER (W)
GT-21089-1512-X.X-T3	+12.0	0 - 1.25	0-15
GT-21089-1815-2.0-T3	+13.0	0 - 1.15	0-15
GT-21089-1815-1.2-T3	+13.8	0 - 1.09	0-15
GT-21089-1815-1.0-T3	+14.0	0 - 1.07	0-15
GT-21089-1815-X.X-T3	+15.0	0 - 1.2	0-18
GT-21089-1818-2.0-T3	+16.0	0 - 1.2	0-18
GT-21089-1818-1.0-T3	+17.0	0 - 1.0	0-18
GT-21089-1818-X.X-T3	+18.0	0 - 1.0	0-18
GT-21089-1824-5.0-T3	+19.0	0 - 0.95	0-18
GT-21089-1824-4.0-T3	+20.0	0 - 0.90	0-18
GT-21089-1824-X.X-T3	+24.0	0 - .75	0-18
GT-21089-1948-20.4-T3 (TUV/NRTL REPLACES UL/NRTL)	+27.6	0 - 0.65	0-18
GT-21089-1948-18.0-T3 (TUV/NRTL REPLACES UL/NRTL)	+30.0	0 - 0.6	0-18
GT-21089-1948-12.0-T3 (TUV/NRTL REPLACES UL/NRTL)	+36.0	0 - 0.5	0-19
GT-21089-1948-X.X-T3 (TUV/NRTL REPLACES UL/NRTL)	+48.0	0 - 0.4	0-19

**OUTPUT VOLTAGE / CURRENT:  
CLASS II MODELS, DOUBLE INSULATED**

GT-21089-1003-T2	+3.3	0 - 2.6	0-9
GT-21089-1505-1.0-T2	+4.0	0 - 2.5	0-9
GT-21089-1505-X.X-T2	+5.0	0 - 2.6	0-13
GT-21089-1506-X.X-T2	+6.0	0 - 2.5	0-15
GT-21089-1509-2.0-T2	+7.0	0 - 2.0	0-15
GT-21089-1509-1.0-T2	+8.0	0 - 1.8	0-15
GT-21089-1509-X.X-T2	+9.0	0 - 1.7	0-15
GT-21089-1512-2.0-T2	+10.0	0 - 1.5	0-15
GT-21089-1512-1.0-T2	+11.0	0 - 1.3	0-15
GT-21089-1512-X.X-T2	+12.0	0 - 1.25	0-15
GT-21089-1815-2.0-T2	+13.0	0 - 1.15	0-15
GT-21089-1815-1.2-T2	+13.8	0 - 1.09	0-15
GT-21089-1815-1.0-T2	+14.0	0 - 1.07	0-15
GT-21089-1815-X.X-T2	+15.0	0 - 1.2	0-18
GT-21089-1818-2.0-T2	+16.0	0 - 1.2	0-18
GT-21089-1818-1.0-T2	+17.0	0 - 1.0	0-18
GT-21089-1818-X.X-T2	+18.0	0 - 1.0	0-18
GT-21089-1824-5.0-T2	+19.0	0 - 0.95	0-18
GT-21089-1824-4.0-T2	+20.0	0 - 0.90	0-18
GT-21089-1948-18.0-T2	+24.0	0 - .75	0-18
GT-21089-1948-20.4-T2 (TUV/NRTL REPLACES UL/NRTL)	+27.6	0 - 0.65	0-18
GT-21089-1948-18.0-T2 (TUV/NRTL REPLACES UL/NRTL)	+30.0	0 - 0.6	0-18
GT-21089-1948-12.0-T2 (TUV/NRTL REPLACES UL/NRTL)	+36.0	0 - 0.5	0-19
GT-21089-1948-X.X-T2 (TUV/NRTL REPLACES UL/NRTL)	+48.0	0 - 0.4	0-19

SPECIFICATIONS MAY CHANGE WITHOUT PRIOR NOTICE. CONSULT GLOBTEK CUSTOMER SERVICE FOR LATEST SPECIFICATIONS.



ISO 9001:2000  
REGISTERED

**0-19 Watts, Desk Top, Universal Input,  
Single Output Family, ITE, Class I & II**

Part Number Ordering System (See Page 224)  
Output Plug/Cord Options (See Page 189)  
Medical Versions (See Page 26)



**ENCLOSURES**

HOUSING: HIGH IMPACT PLASTIC, 94V0 POLYCARBONATE, NON-VENTED, COLOR BLACK, COLOR BLACK, CUSTOMER SPECIFIED COLOR AVAILABLE UPON REQUEST.



**DESKTOP CLASS I FE: T3**

**SIZE:**

86.5 x 47 x 32 + 0.5 mm

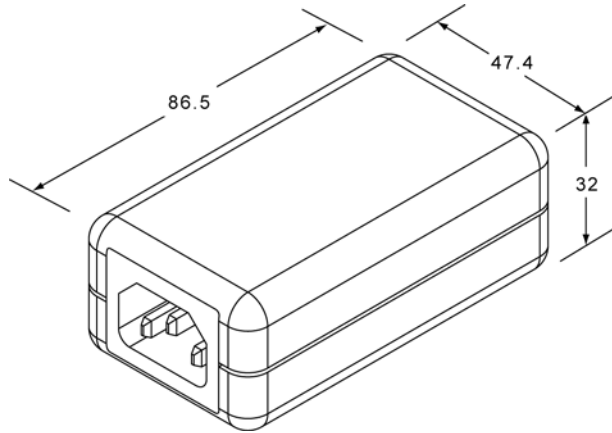
**INPUT CONNECTOR:**

CONFIGURATION:

CLASS I FE MODEL IEC60320 / C14, AC

POWER

RECEPTACLE WITH 3 MALE PINS.



**DESKTOP CLASS II: T2**

**SIZE:**

86.5 x 47 x 32 + 0.5 mm

**INPUT CONNECTOR:**

CONFIGURATION: CLASS II

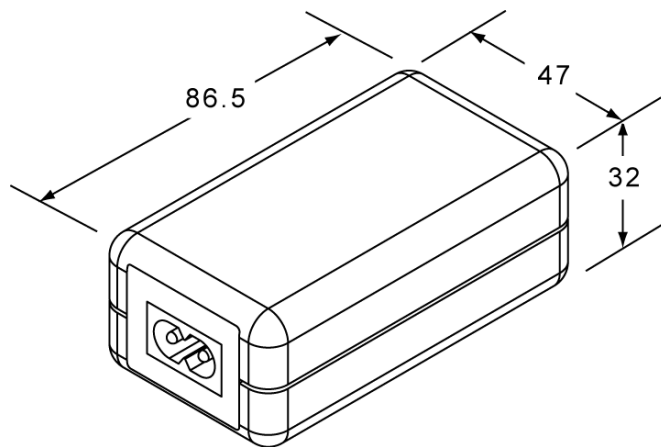
MODEL IEC60320 / C8, AC

POWER RECEPTACLE

(NON-POLARIZED,

SHAVER STYLE)

WITH 2 MALE PINS



SPECIFICATIONS MAY CHANGE WITHOUT PRIOR NOTICE. CONSULT GLOBTEK CUSTOMER SERVICE FOR LATEST SPECIFICATIONS.