



ISO 9001
REGISTERED



**DeskTop and Wall Plug-In, N.A., Japan, Europe, U.K., Australia,
Universal Input, 10-20 Watt Single Output Family,
ITE and Medical Class I & II**



1. ELECTRICAL SPECIFICATIONS:

INPUT VOLTAGE: 90 VAC TO 264 VAC
 INPUT CURRENT: < 1.0 A RMS AT 90 VAC INPUT
 INPUT FREQUENCY: 47 HZ - 63 HZ
 OUTPUT VOLTAGE / CURRENT:

CLASS I MODELS, PROTECTIVE GROUND MODEL:

GT(M or -)21089-0903-T3(W3, W3E, W3U, W3A)
 GT(M or -)21089-1305-X.X-T3(W3, W3E, W3U, W3A)
 GT(M or -)21089-1506-X.X-T3(W3, W3E, W3U, W3A)
 GT(M or -)21089-1509-X.X-T3(W3, W3E, W3U, W3A)
 GT(M or -)21089-1512-X.X-T3(W3, W3E, W3U, W3A)
 GT(M or -)21089-1815-X.X-T3(W3, W3E, W3U, W3A)
 GT(M or -)21089-1818-X.X-T3(W3, W3E, W3U, W3A)
 GT(M or -)21089-1524-X.X-T3(W3, W3E, W3U, W3A)
 GT(M or -)21089-1824-X.X-T3(W3, W3E, W3U, W3A)
 GT(M or -)21089-1948-X.X-T3(W3, W3E, W3U, W3A)

OUTPUT RATING:

+3.3 V DC @ 0 - 2.6 A
 +5.0 V DC @ 0 - 2.6 A
 +6.0 V DC @ 0 - 2.5 A
 +9.0 V DC @ 0 - 1.7 A
 +12.0 V DC @ 0 - 1.25 A
 +15.0 V DC @ 0 - 1.2 A
 +18.0 V DC @ 0 - 1.0 A
 +24.0 V DC @ 0 - 0.625 A
 +24.0 V DC @ 0 - 0.75 A
 +48.0 V DC @ 0 - 0.4 A

CLASS II MODELS, DOUBLE INSULATED MODEL:

GT(M or -)21089-0903-T2(W2, W2E, W2U, W2A)
 GT(M or -)21089-1305-X.X-T2(W2, W2E, W2U, W2A)
 GT(M or -)21089-1506-X.X-T2(W2, W2E, W2U, W2A)
 GT(M or -)21089-1509-X.X-T2(W2, W2E, W2U, W2A)
 GT(M or -)21089-1512-X.X-T2(W2, W2E, W2U, W2A)
 GT(M or -)21089-1815-X.X-T2(W2, W2E, W2U, W2A)
 GT(M or -)21089-1818-X.X-T2(W2, W2E, W2U, W2A)
 GT(M or -)21089-1524-X.X-T3(W3, W3E, W3U, W3A)
 GT(M or -)21089-1824-X.X-T2(W2, W2E, W2U, W2A)
 GT(M or -)21089-1948-X.X-T2(W2, W2E, W2U, W2A)

OUTPUT RATING:

+3.3 V DC @ 0 - 2.6 A
 +5.0 V DC @ 0 - 2.6 A
 +6.0 V DC @ 0 - 2.5 A
 +9.0 V DC @ 0 - 1.7 A
 +12.0 V DC @ 0 - 1.25 A
 +15.0 V DC @ 0 - 1.2 A
 +18.0 V DC @ 0 - 1.0 A
 +24.0 V DC @ 0 - 0.625 A
 +24.0 V DC @ 0 - 0.75 A
 +48.0 V DC @ 0 - 0.4 A

MODEL NUMBER CODE:

GT-2: INTERNAL CODE;
 -: ITE MODEL OR M: MEDICAL MODEL
 1089: FAMILY DESIGNATION;
 0903 TO 1948: POWER / OUTPUT VOLTAGE;
 T: DESKTOP;
 W: WALL PLUG IN;
 3: CLASS I, PROTECTIVE GROUND;
 2: CLASS II, DOUBLE INSULATED;
 -,E,U,A: PLUG CONFIGURATION: N.A.;EURO;U.K.; AUSTRALIA

NOTES:

1. EACH OUTPUT CURRENT CAN VARY WITHIN ITS DESIGNATION RANGE., AS LONG AS THE OUTPUT POWER IS NOT EXCEEDED.
2. SINGLE OUTPUT UNITS ARE AVAILABLE FROM 3.3V UP TO 48V IN 0.1V INCREMENTS.
3. X.X.: OPTIONAL FOR SPECIFYING OUTPUT VOLTAGE DEVIATION FROM STANDARD MODEL: SUBTRACTING X.X. VOLTS FROM STANDARD OUTPUT VOLTAGE.





ISO 9001
REGISTERED

**DeskTop and Wall Plug-In, N.A., Japan, Europe, U.K. Australia,
Universal Input, 10-20 Watt Single Output Family,
ITE and Medical Class I & II**



OUTPUT CURRENT :	NO LOAD TO FULL LOAD,NO MINIMUM LOAD REQUIRED
OUTPUT POWER (RATED):	18 WATTS MAX
OUTPUT RIPPLE (PEAK TO PEAK):	≤ 1% TYP
OUTPUT REGULATION (LINE/LOAD):	± 5 % FOR MAIN OUTPUT, MEASURED AT O/P CONNECTOR
LINE REGULATION:	± 0.5 % MAX AT FULL LOAD
TURN ON/ TURN OFF OVERSHOOT:	4% MAX 500uS MAX RECOVERY TIME FOR 25% STEP LOAD
TURN-ON DELAY:	1 SEC MAX
HOLD-UP TIME:	16 mSEC MIN AT NOMINAL INPUT AND FULL LOAD
INRUSH CURRENT:	20 A MAX AT COLD START FOR N.A. (40A FOR EURO)
EFFICIENCY:	75 % TYPICAL
SWITCHING FREQUENCY:	100 KHZ TYPICAL
OVER-VOLTAGE PROTECTION:	VOLTAGE LIMITED LESS 130% OF NOMINAL VOLTAGE
OVER-CURRENT / SHORT CIRCUIT:	HICCUP WITH AUTO RECOVERY TO 1.1 - 1.3 IO
OTHER PROTECTION:	INPUT FUSING
SAFETY APPROVALS :	
MEDICAL MODELS:	UL 2601, CUL TO 22.2 # 601, TUV TO EN 60601, PSE TO J60950, cTUVus TO UL2601, CE CLASS I & II, CB
ITE MODELS 3RD EDITIONS:	UL 60950, CUL TO 22.2#950, TUV GS TO EN 60950, cTUVus TO UL60950, CE CLASS I & II, CB, KTL EK MARK TO K60950, CCC TO GB4943-2001, GB 9254- 1998, GB 176225.1-2003, C-TICK, PSE TO J60950
DIELECTRIC WITHSTAND VOLTAGE:	4000VAC PRIMARY-SECONDARY (MEDICAL); 1500 VAC; 3000 VAC PRIMARY- GROUND
LEAKAGE CURRENT:	≤ 0.1 mA (MEDICAL); ≤ 3.5 mA (ITE)/ PRIMARY-SECONDARY (ITE)
LINE SURGE:	EN 61000-4-5 LEVEL 4
EMI:	COMPLIES WITH EN55022 AND EN55011, CLASS B AND FCC PART 15 CLASS B WHEN TESTED WITH A RESISTIVE LOAD, BOTH CONDUCTED AND RADIATED
CE MARK:	TESTED TO COMPLY WITH EN61000-3-2 EN61000-3-3, AND EN50082-1, INCLUDING EN61000-4-2, EN61000-4-3, EN61000-4-4, EN61000-4-5 EN61000-4-6, EN61000-4-11, LEVEL 4. UNIT IS ELIGIBLE FOR CE MARK.
MTBF:	GREATER THAN 50,000 HOURS AT 25°C AMBIENT TEMPERATURE, OPERATING TEMPERATURE: 0°C TO 40° C
STORAGE TEMPERATURE:	-40°C TO 80° C
HUMIDITY:	0% TO 90% RELATIVE HUMIDITY



ISO 9001
REGISTERED



*DeskTop and Wall Plug-In, N.A., Japan, Europe, U.K. Australia,
Universal Input, 10-20 Watt Single Output Family,
ITE and Medical Class I & II*

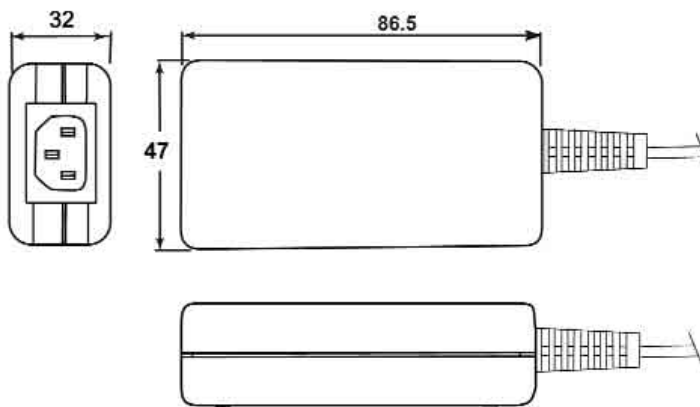


2. ENCLOSURE / INPUT CONNECTOR CONFIGURATION

HOUSING: HIGH IMPACT PLASTIC, 94V0 POLYCARBONATE, NON-VENTED,
COLOR BLACK

2.1 DESKTOP CLASS I (-T3):

SIZE: 86.5 x 47 x 32 ± 0.5 mm

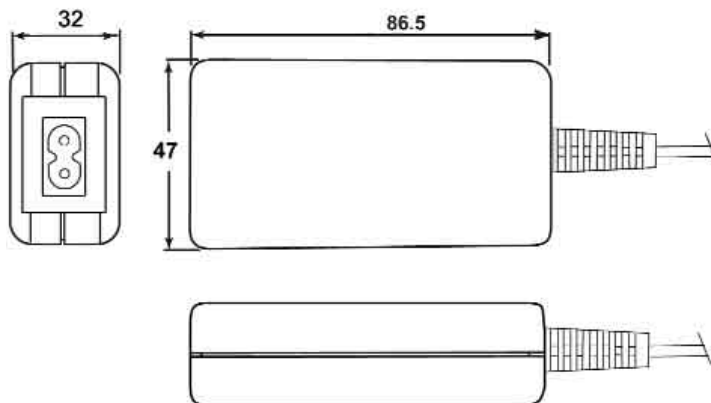


INPUT CONNECTOR:

CONFIGURATION: CLASS I MODEL IEC320 / C14, AC POWER RECEPTACLE WITH 3 MALE PRONGS. GROUND PRONG CONNECTED INTERNALLY BY AWG18 STANDED HOOK-UP WIRE, GREEN W/YELLOW STRIPES JACKET, TO Y SAFETY CAPACITORS COMMON. (OPTION: ISOLATE DC COMMON FROM SAFETY GROUND)

2.2 DESKTOP CLASS II (-T2):

SIZE: 86.5 x 47 x 32 ± 0.5 mm



INPUT CONNECTOR:

CONFIGURATION: CLASS II MODEL IEC320 / C8, AC POWER RECEPTACLE (NON-POLARIZED, SHAVER STYLE) WITH 2 MALE PRONGS





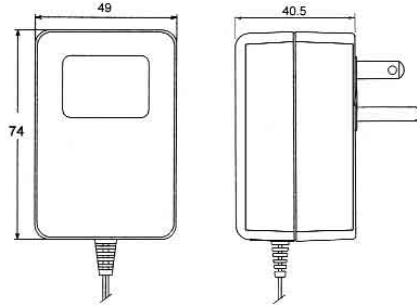
ISO 9001
REGISTERED

**DeskTop and Wall Plug-In, N.A., Japan, Europe, U.K. Australia,
Universal Input, 10-20 Watt Single Output Family,
ITE and Medical Class I & II**



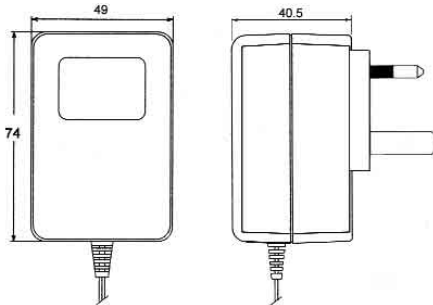
2.3 WALL PLUG-IN CLASS I (-W3, -W3U, -W3A):

SIZE: 74 x 49 x 40.5 ± 0.5 mm

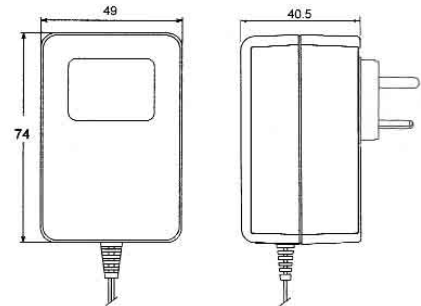


- W3: NORTH AMERICA

INPUT CONNECTOR:
CONFIGURATION: NEMA 5-15 WITH
3 BLADES / GROUND PRONG



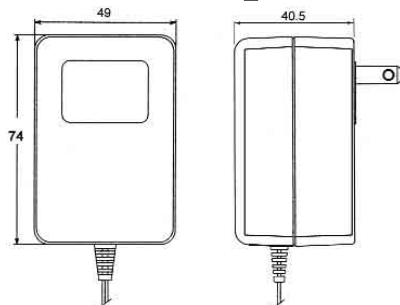
- W3U: UNITED KINGDOM
INPUT CONNECTOR:
CONFIGURATION: BS 1363 / 3 PRONGS



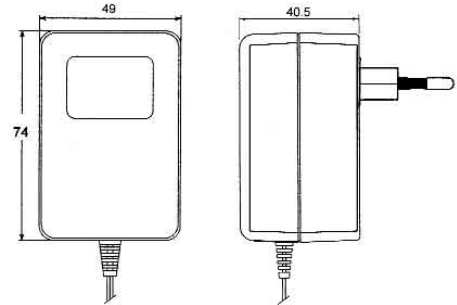
- W3A: AUSTRALIA
INPUT CONNECTOR:
CONFIGURATION: SAA PLUG, 3 BLADES

2.4 WALL PLUG-IN CLASS II (-W2, -W2E, -W2U, -W2A):

SIZE: 74 x 49 x 40.5 ± 0.5 mm



- W2: NORTH AMERICA/ JAPAN
INPUT CONNECTOR:
CONFIGURATION: NEMA 1-15 CLASS II
WITH 2 BLADES



- W2E: EUROPE
INPUT CONNECTOR:
CONFIGURATION: EURO PLUG CEE7/16,
CLASS II



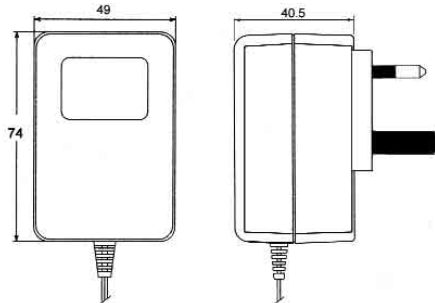
ISO 9001
REGISTERED



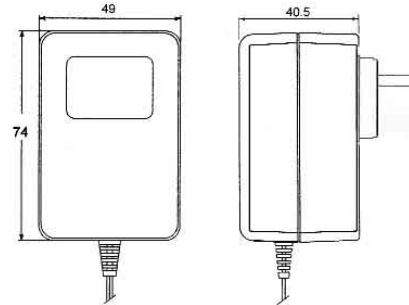
**DeskTop and Wall Plug-In, N.A., Japan, Europe, U.K. Australia,
Universal Input, 10-20 Watt Single Output Family,
ITE and Medical Class I & II**



FOR INDOOR USE ONLY



- W2U: UNITED KINGDOM
INPUT CONNECTOR:
CONFIGURATION: BS 1363 / 3 PRONGS
(GROUND PRONG FLOATING, USED FOR
MECHANICAL RIGIDITY)



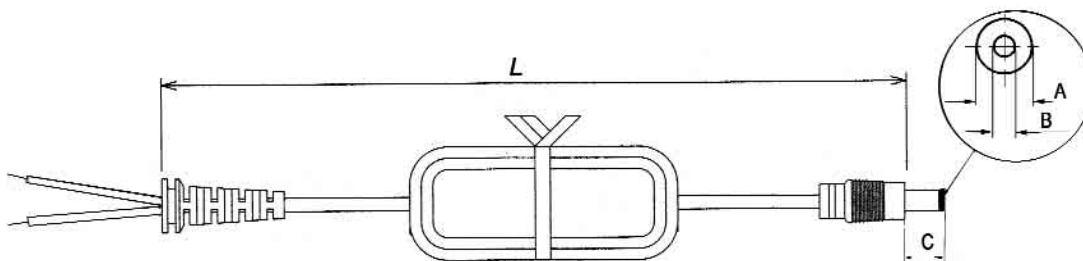
- W2A: AUSTRALIA
INPUT CONNECTOR:
CONFIGURATION: SAA PLUG, 2 BLADES

3. OUTPUT CORD :

2 CONDUCTOR, 20 AWG STRANDED WIRE, FLAT UL 2468 CORD TYPE, COLOR BLACK,
LENGTH (L) OF CORD: 1830 + 50,- 50 mm. CORD IS MEASURED FROM THE HOUSING TO THE
END OF OVERMOLD OF THE CONNECTOR. CABLE IS TO BE MARKED WITH WIRE GAUGE,
AND ALL APPLICABLE RATING AND SAFETY APPROVALS.

4. OUTPUT CONNECTOR:

STANDARD, STRAIGHT FEMALE BARREL 5.5 x 2.5 x 11 MM WITH CENTER POSITIVE



A = 5.5 mm
B = 2.5 mm
C = 11 mm

**NOTE: FOR OTHER OUTPUT CORDS ARRANGEMENTS, SEE OUTPUT PLUG/CORD OPTIONS
CATALOG ACCESSORIES.**





ISO 9001
REGISTERED

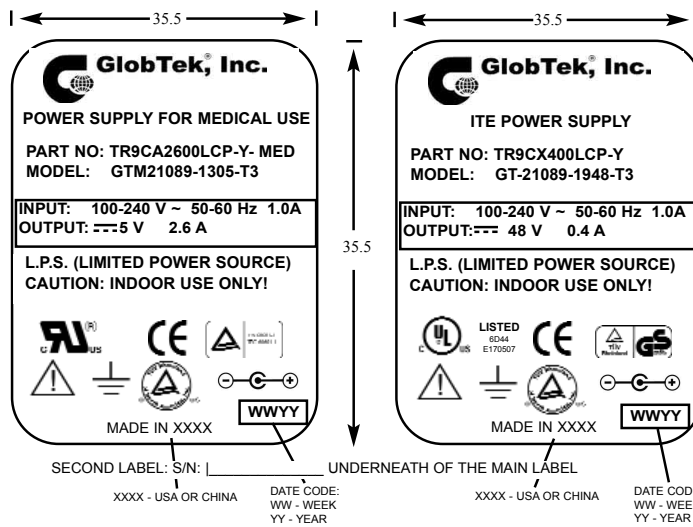
DeskTop and Wall Plug-In, N.A., Japan, Europe, U.K. Australia,
Universal Input, 10-20 Watt Single Output Family,
ITE and Medical Class I & II



FOR INDOOR USE ONLY

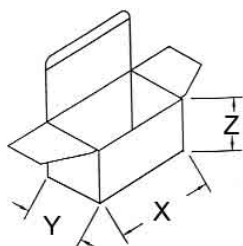


5. LABEL:



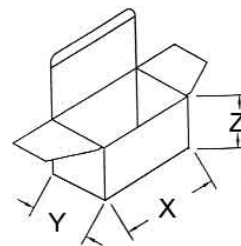
6. INDIVIDUAL PACKING BOX:

CLASS I (-T3); CLASS II (-T2)



X = 145 mm
Y = 86 mm
Z = 50 mm

CLASS I (-W3); CLASS II (-W2)



X = 120 mm
Y = 98 mm
Z = 74 mm