

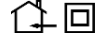


ISO 9001:2000  
REGISTERED

## GTM41076 SERIES-6W



**6 Watts, Wall Plug-In, Switchmode Power Supply, N.A.,  
European, U.K., SAA Universal Input, Medical, Class II**



### ELECTRICAL SPECIFICATIONS

**INPUT VOLTAGE:**

100-240 VAC

**INPUT CURRENT:**

< 0.5 A RMS MAX

**INPUT FREQUENCY:**

47 - 63 Hz

**OUTPUT VOLTAGE:**

SEE TABLE BELOW

**OUTPUT CURRENT :**

SEE TABLE BELOW

**OUTPUT POWER (RATED):**

SEE TABLE BELOW

**OUTPUT RIPPLE (PEAK TO PEAK):**

±1% OR 50 mV WHICHEVER IS GREATER. MEASURED AT 20 MHz BANDWIDTH WITH 0.1 µf CERAMIC CAPACITOR IN PARALLEL WITH 10 µf ELECTROLYTIC CAPACITOR CONNECTED AT THE END OF OUTPUT CONNECTOR

**OUTPUT LOAD REGULATION:**

±5 % OF NOMINAL OUTPUT VOLTAGE, MEASURED AT O/P CONNECTOR AT NOMINAL LINE

**LINE REGULATION:**

±1 % OF NOMINAL OUTPUT VOLTAGE MEASURED AT O/P CONNECTOR

**TURN ON/ TURN OFF OVERSHOOT:**

5% MAX 500µS MAX RECOVERY TIME FOR 25% STEP LOAD

**TURN-ON DELAY:**

3000 mSEC MAX

**HOLD-UP TIME:**

8 mSEC MIN AT NOMINAL INPUT AND FULL LOAD

**INRUSH CURRENT:**

30 A MAX AT COLD START 120 VAC, 60A MAX COLD START 230VAC

**SWITCHING FREQUENCY:**

66.5 KHz TYPICAL

**OVER-VOLTAGE PROTECTION:**

PROTECTED, UNIT WILL RECOVER UPON REMOVAL OF FAULT

**OVER-CURRENT / SHORT CIRCUIT:**

PROTECTED, UNIT WILL RECOVER UPON REMOVAL OF FAULT

**OTHER PROTECTION:**

INPUT LINE AND NEUTRAL FUSING

**SAFETY APPROVALS:**

UL60601-1, CUL TO 22.2 NO. 601.1-M90, INNOVA BAUART TO EN60601-1, CE CLASS II, PSE TO J60601-1, CB REPORT, C-TICK TO AS/NZ 60601-1, CCC

**DIELECTRIC WITHSTAND VOLTAGE:**

5656 VDC PRIMARY-SECONDARY

**LEAKAGE CURRENT:**

< 300 µA AT 240 VAC

**EMI:**

COMPLIES WITH EN55011 CLASS B AND FCC PART 15 CLASS B WHEN TESTED WITH A RESISTIVE LOAD, BOTH CONDUCTED AND RADIATED

**CE MARK:**

TESTED TO COMPLY WITH EN61000-3-2, EN61000-3-3, EN60601-1-2 2001, INCLUDING EN61000-4-2, EN61000-4-3, EN61000-4-4, EN61000-4-5, EN61000-4-6, EN61000-4-8, EN61000-4-11.

**EFFICIENCY:**

COMPLIES WITH ENERGY STAR TIER 2 (NORTH AMERICA), CECP TIER 2 (CHINA), MEPS TIER 2 (AUSTRALIA), CODE OF CONDUCT (EUROPE)

**MTBF:**

GREATER THAN 50,000 HOURS AT 25°C AMBIENT TEMPERATURE

**OPERATING TEMPERATURE:**

0°C TO 40° C

**STORAGE TEMPERATURE:**

-40°C TO 80° C

**HUMIDITY:**

0% TO 90% RELATIVE HUMIDITY

**ROHS:**

COMPLIES WITH EU 2002/95/EC AND CHINA SJ/T 11363-2006

**NOTE:**

DIMENSIONS ARE IN MM UNLESS SPECIFIED OTHERWISE.

### OUTPUT VOLTAGE / CURRENT:

MODEL NUMBER	OUTPUT VOLTAGE (VDC)	OUTPUT CURRENT (A)	RATED OUTPUT POWER (W)
GTM41076-0605-X.X	+5.0	0 - 1.2	0 - 6.0
GTM41076-0606-X.X	+6.0	0 - 1.0	0 - 6.0
GTM41076-0607-X.X	+7.0	0 - 0.85	0 - 6.0
GTM41076-0609-X.X	+9.0	0 - 0.66	0 - 6.0
GTM41076-0612-X.X	+12.0	0 - 0.5	0 - 6.0
GTM41076-0615-X.X	+15.0	0 - 0.4	0 - 6.0
GTM41076-0618-X.X	+18.0	0 - 0.33	0 - 6.0
GTM41076-0620-X.X	+20.0	0 - 0.3	0 - 6.0
GTM41076-0624-X.X	+24.0	0 - 0.25	0 - 6.0
GTM41076-0630-X.X	+30.0	0 - 0.20	0 - 6.0

SPECIFICATIONS MAY CHANGE WITHOUT PRIOR NOTICE. CONSULT GLOBTEK CUSTOMER SERVICE FOR LATEST SPECIFICATIONS.

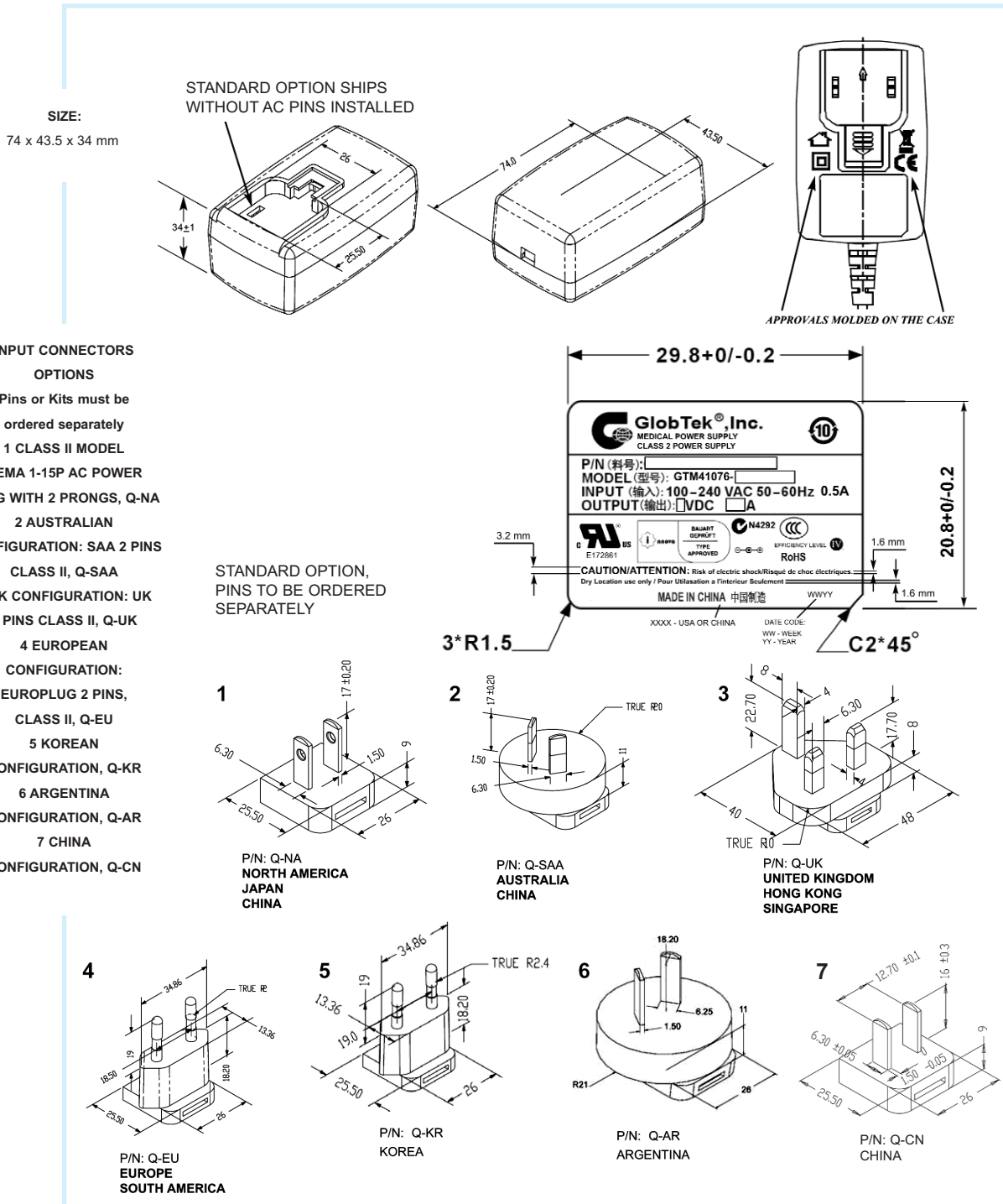


6 Watts, Wall Plug-In, Switchmode Power Supply, N.A., European, U.K., SAA Universal Input, Medical, Class II



ENCLOSURES

UPPER & LOWER HOUSING: HIGH IMPACT PLASTIC, 94V0 POLYCARBONATE, NON-VENTED, COLOR BLACK



SPECIFICATIONS MAY CHANGE WITHOUT PRIOR NOTICE. CONSULT GLOBTEK CUSTOMER SERVICE FOR LATEST SPECIFICATIONS.