

125°C Use, Miniature, Low ESR Capacitors

GREEN CAP

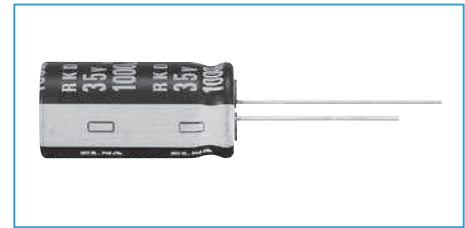
Low ESR

125°C 5000hours

Anti-cleaning solvent

- Smaller and low ESR than RK series.
- Guarantees 5000 hours at 125°C ($\phi 8$: 2000h, $\phi 10$: 3000h)

Miniaturized, Low ESR



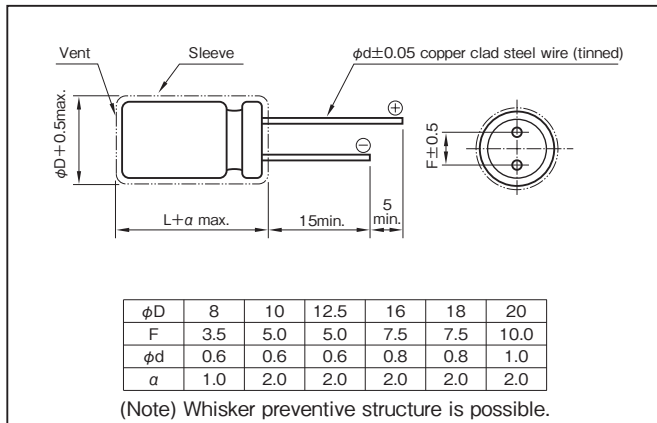
Marking color : White print on a black sleeve

Specifications

Item	Performance																		
Category temperature range (°C)	-40 to +125																		
Tolerance at rated capacitance (%)	±20 (20°C, 120Hz)																		
Leakage current (μA)	Less than 0.01CV or 4 whichever is larger (after 2 minutes) C : Rated capacitance (μF), V : Rated voltage (V) (20°C)																		
Tangent of loss angle (tanδ)	<table border="1"> <thead> <tr> <th>Rated voltage (V)</th> <th>10</th> <th>16</th> <th>25</th> <th>35</th> <th>50</th> <th>63</th> <th>80</th> <th>100</th> </tr> </thead> <tbody> <tr> <td>tanδ (max.)</td> <td>0.20</td> <td>0.16</td> <td>0.14</td> <td>0.12</td> <td>0.10</td> <td>0.10</td> <td>0.08</td> <td>0.08</td> </tr> </tbody> </table>	Rated voltage (V)	10	16	25	35	50	63	80	100	tanδ (max.)	0.20	0.16	0.14	0.12	0.10	0.10	0.08	0.08
	Rated voltage (V)	10	16	25	35	50	63	80	100										
tanδ (max.)	0.20	0.16	0.14	0.12	0.10	0.10	0.08	0.08											
0.02 is added to every 1000μF increase over 1000μF. (20°C, 120Hz)																			
Characteristics at high and low temperature	<table border="1"> <thead> <tr> <th>Rated voltage (V)</th> <th>10</th> <th>16</th> <th>25</th> <th>35</th> <th>50</th> <th>63</th> <th>80</th> <th>100</th> </tr> </thead> <tbody> <tr> <td>Impedance ratio (max.) Z-40°C/Z+20°C</td> <td>4</td> <td>3</td> <td>3</td> <td>3</td> <td>3</td> <td>3</td> <td>3</td> <td>3</td> </tr> </tbody> </table>	Rated voltage (V)	10	16	25	35	50	63	80	100	Impedance ratio (max.) Z-40°C/Z+20°C	4	3	3	3	3	3	3	3
	Rated voltage (V)	10	16	25	35	50	63	80	100										
Impedance ratio (max.) Z-40°C/Z+20°C	4	3	3	3	3	3	3	3											
(120Hz)																			
Endurance (125°C) (Applied ripple current)	Test time	5000 hours ($\phi 8$: 2000 hours) ($\phi 10$: 3000 hours)																	
	Leakage current	The initial specified value or less																	
	Percentage of capacitance change	Within ±30% of initial value																	
	Tangent of the loss angle	300% or less of the initial specified value																	
Shelf life (125°C)	Test time : 1000hours ; other items are same as the endurance. Voltage application treatment : According to JIS C5101-4																		
Applicable standards	JIS C5101-1, -4 1998 (IEC 60384-1 1992, -4 1985)																		

Outline Drawing

Unit : mm



Coefficient of Frequency for Rated Ripple Current

Rated capacitance (μF)	Frequency (Hz)			
	50 · 60	120	1k	10k · 100k
100 to 330	0.55	0.65	0.85	1
390 to 1000	0.70	0.75	0.90	1
1200 to 8200	0.80	0.85	0.95	1

Part numbering system (example : 10V1000μF)

RKD	—	10	V	102	M	H5	#	—	
Series code		Rated voltage symbol		Rated capacitance symbol	Capacitance tolerance symbol	Casing symbol			Taping(Forming) symbol

If it is whisker preventive structure, should change "#" into "G".

Standard Ratings

Rated voltage (V) Rated capacitance (µF) Item	10				16				25				35			
	Case	Casing symbol	ESR (Ω max.)	Rated ripple current (mArms)	Case	Casing symbol	ESR (Ω max.)	Rated ripple current (mArms)	Case	Casing symbol	ESR (Ω max.)	Rated ripple current (mArms)	Case	Casing symbol	ESR (Ω max.)	Rated ripple current (mArms)
	φD × L (mm)				φD × L (mm)				φD × L (mm)				φD × L (mm)			
100	—	—	—	—	8×12	G3	0.153	501	8×12	G3	0.153	501	8×12	G3	0.153	501
220	8×12	G3	0.153	501	8×12	G3	0.153	501	8×12	G3	0.153	501	10×12.5	H3	0.098	732
					10×12.5	H3	0.098	732	10×12.5	H3	0.098	732	10×16	H4	0.075	953
330	8×12	G3	0.153	501	8×12	G3	0.153	501	10×12.5	H3	0.098	732	10×16	H4	0.075	953
	10×12.5	H3	0.098	732	10×12.5	H3	0.098	732	10×16	H4	0.075	953	10×20	H5	0.057	1140
470	10×12.5	H3	0.098	732	10×16	H4	0.075	953	10×16	H4	0.075	953	10×20	H5	0.057	1140
									10×20	H5	0.057	1140	12.5×20	I5	0.040	1820
													16×16	J4	0.044	1930
1000	10×20	H5	0.057	1140	10×20	H5	0.057	1140	12.5×20	I5	0.040	1820	12.5×25	I6	0.032	2400
	12.5×15	I4	0.059	1380	12.5×20	I5	0.040	1820	12.5×25	I6	0.032	2400	16×25	J6	0.024	3100
					16×16	J4	0.044	1930	16×16	J4	0.044	1930	18×20	K5	0.029	2490
1200	—	—	—	—	—	—	—	—	12.5×20	I5	0.040	1820	12.5×30	I7	0.029	2560
													16×20	J5	0.032	2280
1500	—	—	—	—	—	—	—	—	—	—	—	—	12.5×35	I8	0.023	2970
													16×31.5	J7	0.020	3180
													18×25	K6	0.022	3200
1800	—	—	—	—	—	—	—	—	12.5×25	I6	0.032	2400	12.5×40	I9	0.020	3600
									16×20	J5	0.032	2280	16×25	J6	0.024	3100
2200	12.5×25	I6	0.032	2400	12.5×25	I6	0.032	2400	12.5×30	I7	0.029	2560	16×31.5	J7	0.020	3160
	16×20	J5	0.032	2280	16×25	J6	0.024	3100	16×25	J6	0.024	3100	16×35.5	J8	0.019	3590
	18×16	K4	0.041	2170	18×20	K5	0.029	2490	18×20	K5	0.029	2490	18×25	K6	0.022	3200
2700	—	—	—	—	—	—	—	—	12.5×35	I8	0.023	2970	16×35.5	J8	0.019	3590
									16×25	J6	0.024	3100	18×31.5	K7	0.018	3410
									18×20	K5	0.029	2490	20×25	L6	0.022	3500
3300	16×25	J6	0.024	3100	16×31.5	J7	0.020	3160	12.5×40	I9	0.020	3600	16×40	J9	0.017	4300
	18×20	K5	0.029	2490	18×25	K6	0.022	3200	16×31.5	J7	0.020	3160	18×35.5	K8	0.017	4200
													20×30	L7	0.019	4000
3900	—	—	—	—	—	—	—	—	16×35.5	J8	0.019	3590	—	—	—	—
									18×25	K6	0.022	3200	—	—	—	—
4700	16×31.5	J7	0.020	3160	16×35.5	J8	0.019	3590	18×35.5	K8	0.017	4200	18×40	K9	0.016	4600
	18×25	K6	0.022	3200	18×31.5	K7	0.018	3410	20×25	L6	0.022	3500	20×35.5	L8	0.016	4700
5600	—	—	—	—	—	—	—	—	16×40	J9	0.017	4300	20×40	L9	0.015	5100
									18×35.5	K8	0.017	4200	—	—	—	—
									20×30	L7	0.019	4000	—	—	—	—
6800	—	—	—	—	—	—	—	—	18×40	K9	0.016	4600	—	—	—	—
									20×35.5	L8	0.016	4700	—	—	—	—
8200	—	—	—	—	—	—	—	—	20×40	L9	0.015	5100	—	—	—	—

ALUMINUM

MINIATURE ALUMINUM

125°C

Rated voltage (V) Rated capacitance (µF) Item	50				63				80				100			
	Case	Casing symbol	ESR (Ω max.)	Rated ripple current (mArms)	Case	Casing symbol	ESR (Ω max.)	Rated ripple current (mArms)	Case	Casing symbol	ESR (Ω max.)	Rated ripple current (mArms)	Case	Casing symbol	ESR (Ω max.)	Rated ripple current (mArms)
	φD × L (mm)				φD × L (mm)				φD × L (mm)				φD × L (mm)			
220	10×20	H5	0.081	960	—	—	—	—	—	—	—	—	16×20	J5	0.11	1580
330	—	—	—	—	—	—	—	—	16×20	J5	0.11	1790	16×25	J6	0.079	1690
470	12.5×20	I5	0.057	1500	16×20	J5	0.085	1790	16×25	J6	0.079	2030	16×35.5	J8	0.052	2500
560	—	—	—	—	—	—	—	—	18×25	K6	0.064	2280	16×40	J9	0.045	2700
820	12.5×30	I7	0.038	2150	16×31.5	J7	0.053	2330	18×35.5	K8	0.044	2890	18×40	K9	0.039	2880
1000	16×25	J6	0.031	2620	16×35.5	J8	0.044	2580	18×40	K9	0.039	3210	—	—	—	—
1800	18×31.5	K7	0.025	3140	18×40	K9	0.032	3210	—	—	—	—	—	—	—	—
2200	18×35.5	K8	0.022	3510	—	—	—	—	—	—	—	—	—	—	—	—

(Note) Rated ripple current : 125°C , 100kHz ; ESR : 20°C , 100kHz