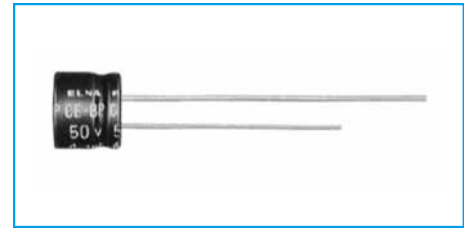
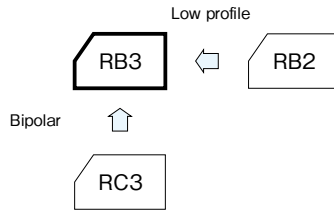


5mm L, Bipolar Capacitors

GREEN CAP

- Diameters from $\phi 4$ to $\phi 6.3$ mm and a height of 5mm.



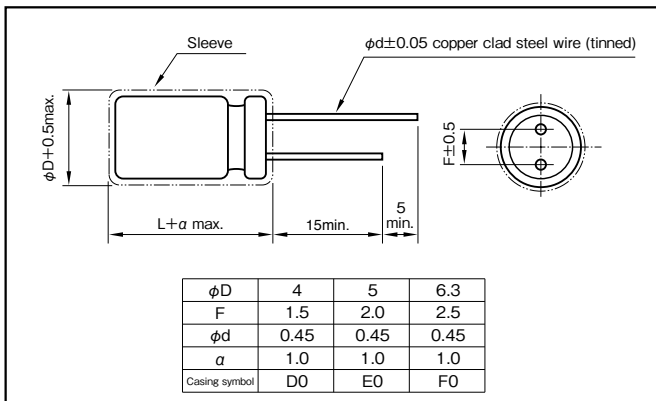
Marking color : White print on a blue sleeve

Specifications

Item	Performance																					
Category temperature range (°C)	-40 to +85																					
Tolerance at rated capacitance (%)	± 20 (20°C, 120Hz)																					
Leakage current (μA)	Less than $0.03CV + 3$ (after 5 minutes) C : Rated capacitance (μF); V : Rated voltage (V) (20°C)																					
Tangent of loss angle ($\tan \delta$)	<table border="1"> <thead> <tr> <th>Rated voltage (V)</th> <th>6.3</th> <th>10</th> <th>16</th> <th>25</th> <th>35</th> <th>50</th> </tr> </thead> <tbody> <tr> <td>$\phi 4$</td> <td>0.35</td> <td>0.30</td> <td>0.25</td> <td>0.20</td> <td>0.20</td> <td>0.20</td> </tr> <tr> <td>$\phi 5, 6.3$</td> <td>0.30</td> <td>0.25</td> <td>0.20</td> <td>0.15</td> <td>0.15</td> <td>0.15</td> </tr> </tbody> </table>	Rated voltage (V)	6.3	10	16	25	35	50	$\phi 4$	0.35	0.30	0.25	0.20	0.20	0.20	$\phi 5, 6.3$	0.30	0.25	0.20	0.15	0.15	0.15
	Rated voltage (V)	6.3	10	16	25	35	50															
$\phi 4$	0.35	0.30	0.25	0.20	0.20	0.20																
$\phi 5, 6.3$	0.30	0.25	0.20	0.15	0.15	0.15																
	(20°C, 120Hz)																					
Endurance (85°C)	Test time	1000 hours (with the polarity inverted every 250 hours)																				
	Leakage current	The initial specified value or less																				
	Percentage of capacitance change	Within $\pm 20\%$ of initial value																				
	Tangent of the loss angle	200% or less of the initial specified value																				
Applicable standards	JIS C5101-1, -4 1998 (IEC 60384-1 1992, -4 1985)																					

Outline Drawing

Unit : mm



Coefficient of Frequency for Rated Ripple Current

Frequency (Hz)	50 - 60	120	1k	10k - 100k
Rated voltage (V)				
6.3 to 16	0.8	1	1.1	1.2
25 to 35	0.8	1	1.5	1.7
50	0.8	1	1.6	1.9

Part numbering system (example : 10V47 μF)

RB3	—	10	V	470	M	F0	#	—	
Series code		Rated voltage symbol		Rated capacitance symbol	Capacitance tolerance symbol	Casing symbol			Taping(Forming) symbol

Standard Ratings

Rated voltage (V)	6.3		10		16		25		35		50	
	Case	Rated ripple current	Case	Rated ripple current	Case	Rated ripple current	Case	Rated ripple current	Case	Rated ripple current	Case	Rated ripple current
Rated capacitance (μF)	$\phi D \times L$ (mm)	(mArms)	$\phi D \times L$ (mm)	(mArms)	$\phi D \times L$ (mm)	(mArms)	$\phi D \times L$ (mm)	(mArms)	$\phi D \times L$ (mm)	(mArms)	$\phi D \times L$ (mm)	(mArms)
0.33	—	—	—	—	—	—	—	—	—	—	4x5	4
0.47	—	—	—	—	—	—	—	—	—	—	4x5	5
1	—	—	—	—	—	—	—	—	—	—	4x5	7
2.2	—	—	—	—	—	—	—	—	4x5	11	5x5	14
3.3	—	—	—	—	—	—	4x5	13	5x5	17	6.3x5	20
4.7	—	—	—	—	4x5	14	5x5	21	6.3x5	24	6.3x5	24
10	—	—	4x5	18	5x5	26	6.3x5	35	6.3x5	35	—	—
22	5x5	31	6.3x5	40	6.3x5	45	—	—	—	—	—	—
33	6.3x5	45	6.3x5	49	—	—	—	—	—	—	—	—
47	6.3x5	54	6.3x5	59	—	—	—	—	—	—	—	—

(Note) Rated ripple current : 85°C, 120Hz.