

LM, LPM LARGE CAPACITANCE ALUMINUM ELECTROLYTIC CAPACITORS ELNA®

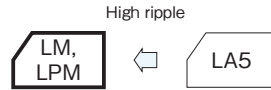
For-Inverter, High-Ripple Capacitors

GREEN CAP 85°C 2000hours

- Withstands high-ripple current generated by the voltage doubler rectifier system.
- Guarantees 2000 hours at 85°C.



Marking color : White print on a black sleeve

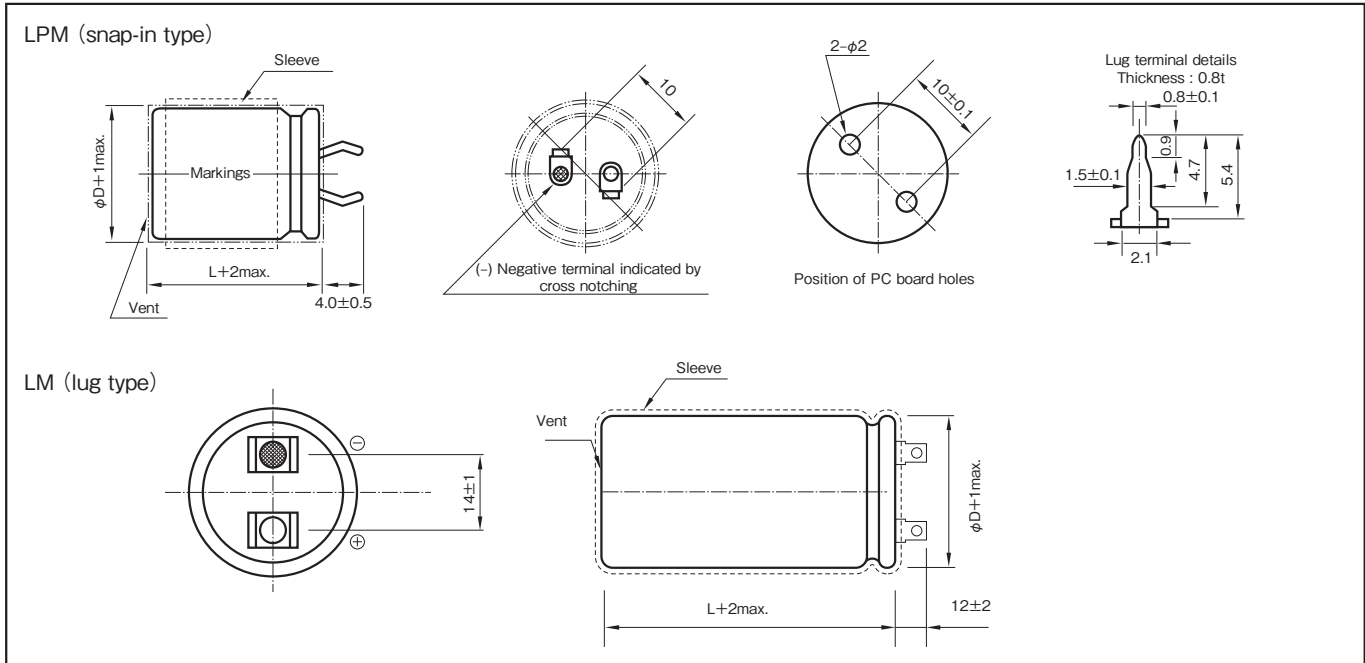


Specifications

| Item | Performance |
|---|--|
| Category temperature range (°C) | -25 to +85 |
| Tolerance at rated capacitance (%) | ±10 (20°C, 120Hz) |
| Leakage current (µA) | Less than 0.01CV or 5mA whichever is smaller (after 5 minutes) C : Rated capacitance (µF) ; V : Rated voltage (V) (20°C) |
| Tangent of loss angle (tanδ) | Rated voltage (V) 250, 400 |
| | tanδ (max.) 0.05 (20°C, 120Hz) |
| Characteristics at high and low temperature | Rated voltage (V) 250, 400 |
| | Impedance ratio (max.) Z-25°C/Z+20°C 4 (120Hz) |
| Endurance (85°C) (Applied ripple current) | Test time 2000 hours |
| | Leakage current The initial specified value or less |
| | Percentage of capacitance change Within ±20% of initial value |
| | Tangent of the loss angle 200% or less of the initial specified value |
| Shelf life (85°C) | Test time 500 hours |
| | Leakage current The initial specified value or less |
| | Percentage of capacitance change Within ±15% of initial value |
| | Tangent of the loss angle 150% or less of the initial specified value |
| Voltage application treatment | |
| Applicable standards | JIS C5101-1, -4 1998 (IEC 60384-1 1992, -4 1985) |

Outline Drawing

Unit : mm



Part numbering system (example : 250V440µF)

| | | | | | | |
|-------------|---|----------------------|--------------------------|------------------------------|---------------|-----------------|
| LM | — | 250 V | 441 | K | S6E # | B |
| Series code | | Rated voltage symbol | Rated capacitance symbol | Capacitance tolerance symbol | Casing symbol | Optional symbol |

Coefficient of Frequency for Rated Ripple Current

| Frequency (Hz) | 50 | 120 | 400 | 1k | 10k |
|-------------------|------|-----|------|------|------|
| Rated voltage (V) | 0.80 | 1 | 1.32 | 1.46 | 1.61 |

LM series Standard Ratings

| 250V | | | | | |
|---------------------------------|-----------|-----|---------------|------------------|--------------------------------|
| Rated capacitance (μ F) | Case (mm) | | Casing symbol | ESR | Rated ripple current (Arms) |
| | ϕ D | L | | (Ω max.) | |
| 200 | 40 | 100 | S6E | 0.33 | 3.80 |
| 220 | 40 | 100 | S6E | 0.30 | 4.00 |
| 330 | 40 | 100 | S6E | 0.20 | 4.85 |
| 360 | 40 | 100 | S6E | 0.18 | 5.10 |
| 390 | 40 | 100 | S6E | 0.17 | 5.30 |
| 420 | 40 | 100 | S6E | 0.16 | 5.50 |
| 440 | 40 | 100 | S6E | 0.15 | 5.60 |

| 400V | | | | | |
|---------------------------------|-----------|-----|---------------|------------------|--------------------------------|
| Rated capacitance (μ F) | Case (mm) | | Casing symbol | ESR | Rated ripple current (Arms) |
| | ϕ D | L | | (Ω max.) | |
| 90 | 35 | 80 | S5C | 0.74 | 3.00 |
| | 40 | 80 | S6C | 0.74 | 3.00 |
| 100 | 35 | 90 | S5D | 0.66 | 3.20 |
| | 40 | 90 | S6D | 0.66 | 3.20 |
| 110 | 35 | 100 | S5E | 0.60 | 3.30 |
| | 40 | 100 | S6E | 0.60 | 3.30 |
| 150 | 35 | 100 | S5E | 0.44 | 3.90 |
| | 40 | 100 | S6E | 0.44 | 3.90 |
| 165 | 40 | 100 | S6E | 0.40 | 4.10 |
| 220 | 40 | 100 | S6E | 0.30 | 4.10 |

(Note) Rated ripple current : 85°C , 120Hz ; ESR. : 20°C , 120Hz

LPM series Standard Ratings

| 250V | | | | | |
|---------------------------------|-----------|----|---------------|------------------|--------------------------------|
| Rated capacitance (μ F) | Case (mm) | | Casing symbol | ESR | Rated ripple current (Arms) |
| | ϕ D | L | | (Ω max.) | |
| 100 | 35 | 40 | S55 | 0.66 | 1.90 |
| 110 | 35 | 40 | S55 | 0.60 | 2.00 |
| 165 | 35 | 45 | S56 | 0.40 | 2.45 |
| 180 | 35 | 50 | S57 | 0.37 | 2.58 |
| 195 | 35 | 50 | S57 | 0.34 | 2.68 |
| 210 | 35 | 50 | S57 | 0.32 | 2.78 |
| 220 | 35 | 50 | S57 | 0.30 | 2.80 |

| 400V | | | | | |
|---------------------------------|-----------|----|---------------|------------------|--------------------------------|
| Rated capacitance (μ F) | Case (mm) | | Casing symbol | ESR | Rated ripple current (Arms) |
| | ϕ D | L | | (Ω max.) | |
| 45 | 35 | 50 | S57 | 1.47 | 1.50 |
| 55 | 35 | 40 | S55 | 1.21 | 1.70 |
| 75 | 35 | 50 | S57 | 0.88 | 1.98 |
| 82 | 35 | 50 | S57 | 0.81 | 2.00 |

(Note) Rated ripple current : 85°C , 120Hz ; ESR. : 20°C , 120Hz