

	1	2	3	4	5	6	7
--	---	---	---	---	---	---	---

A							
B	<p>Technical Data</p> <p>Material: Brass, machined CuZn38Pb2</p> <p>Plating: Gold Flash, 80u"Ni</p> <p>Insulator : PA6T +30%GF (Black, UL94V-0) High Temp</p> <p>Packing: Tape&amp;Reel</p> <p>Soldering Temperature: +260° /10S Max</p>						
C	<p>P.C.B LAYOUT</p>						
D	<p>Customer-No.</p>						
E	<p>Name</p>						
F	<p>Date</p>						
G	<p>ASSMANN WSW-No. ADP-254-02-SR</p>						
H	<p>ASSMANN WSW components</p>						

**ROHS compliant**  
Unit:mm

Scale	Free					
TOLERANCE						
X.	±0.20					
X.X	±0.15					
X.XX	±0.10					
X.XXX	±0.05					
DIM	TOL					
Angle	±5°					

Id.	Modification	Date	Name
①	Drawn	28.05.2013	Winnie

1	2	3	4	5	6	7
---	---	---	---	---	---	---

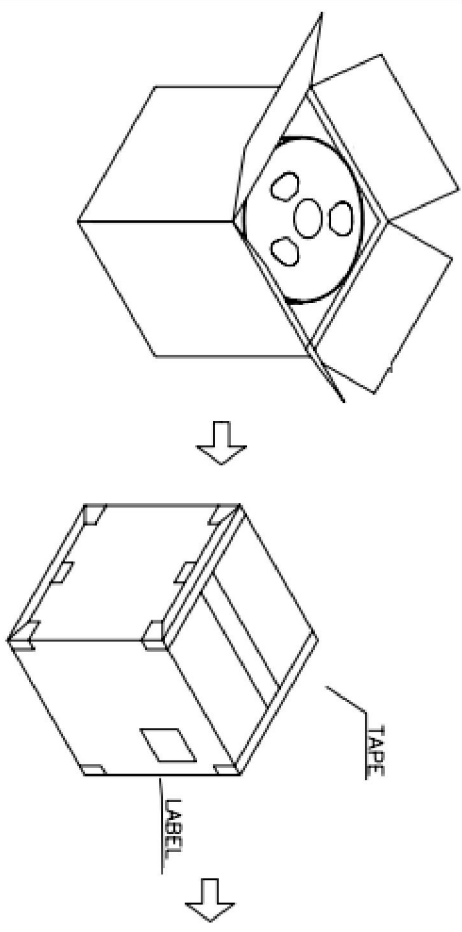
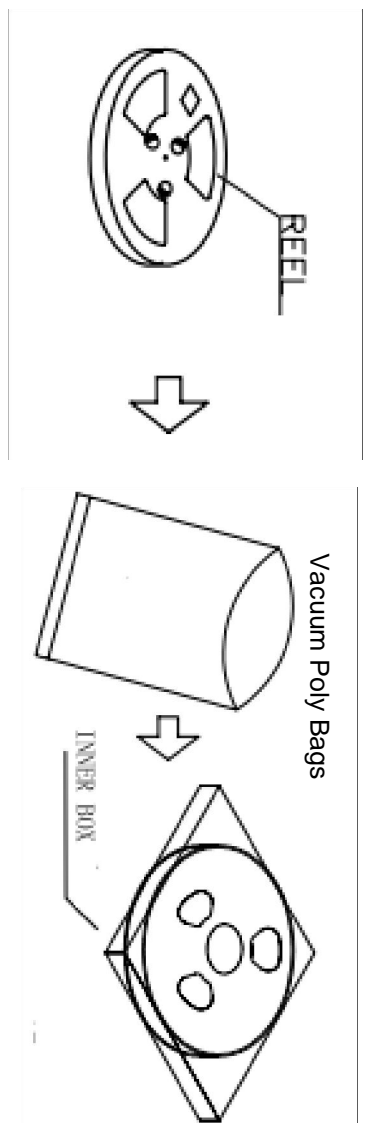
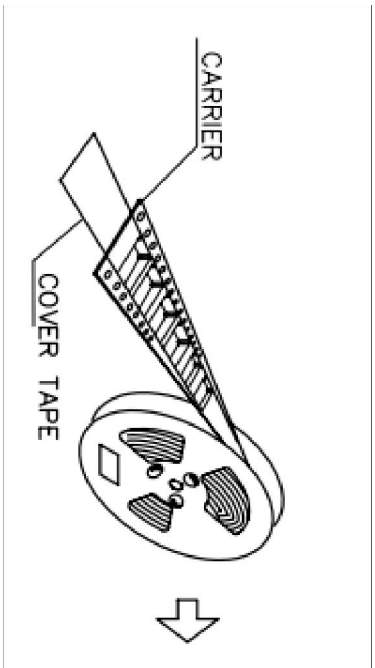
Customer-No.	
Name	Winnie
Date	28.05.2013
ASSMANN WSW-No.	ADP-254-02-SR
Drawing-No.	ASS 5717 CO
Replace	rev00
SHEET	1/3

	1	2	3	4	5	6	7																																																																																																						
A																																																																																																													
B																																																																																																													
C																																																																																																													
D																																																																																																													
E																																																																																																													
F																																																																																																													
G	<p style="text-align: center;"><b>ROHS compliant</b></p> <p style="text-align: center;">Unit:mm</p> <table border="1" style="width: 100%; border-collapse: collapse;"> <thead> <tr> <th>Scale</th> <th>Free</th> <th></th> <th></th> <th></th> <th></th> <th></th> </tr> </thead> <tbody> <tr> <td>TOLERANCE</td> <td>±0.20</td> <td></td> <td></td> <td></td> <td></td> <td></td> </tr> <tr> <td>X.X</td> <td>±0.15</td> <td></td> <td></td> <td></td> <td></td> <td></td> </tr> <tr> <td>X.XX</td> <td>±0.10</td> <td></td> <td></td> <td></td> <td></td> <td></td> </tr> <tr> <td>X.XXX</td> <td>±0.05</td> <td></td> <td></td> <td></td> <td></td> <td></td> </tr> <tr> <td>DIM</td> <td>TOL</td> <td></td> <td></td> <td></td> <td></td> <td></td> </tr> <tr> <td>Angle</td> <td>±5°</td> <td></td> <td></td> <td></td> <td></td> <td></td> </tr> </tbody> </table> <table border="1" style="width: 100%; border-collapse: collapse; margin-top: 10px;"> <thead> <tr> <th>Id.</th> <th>Modification</th> <th>Date</th> <th>Name</th> <th>Date</th> <th>Name</th> </tr> </thead> <tbody> <tr> <td>①</td> <td>Drawn</td> <td>28.05.2013</td> <td>Winnie</td> <td></td> <td></td> </tr> </tbody> </table> <table border="1" style="width: 100%; border-collapse: collapse; margin-top: 10px;"> <thead> <tr> <th>W</th> <th>P</th> <th>A0</th> <th>B0</th> </tr> </thead> <tbody> <tr> <td>12.00±0.30</td> <td>8.00±0.10</td> <td>1.80±0.10</td> <td>4.34±0.10</td> </tr> <tr> <td>S0</td> <td>P0</td> <td>A1</td> <td>B1</td> </tr> <tr> <td>1.75±0.10</td> <td>2.00±0.10</td> <td></td> <td></td> </tr> <tr> <td>E</td> <td>P2</td> <td></td> <td></td> </tr> <tr> <td>1.75±0.10</td> <td>2.00±0.10</td> <td></td> <td></td> </tr> <tr> <td>F</td> <td>D0</td> <td>K0</td> <td></td> </tr> <tr> <td>5.50±0.10</td> <td>∅1.50±0.10</td> <td>3.00±0.10</td> <td></td> </tr> <tr> <td>T</td> <td>D1</td> <td>K1</td> <td></td> </tr> <tr> <td>0.30±0.05</td> <td>∅1.50 Min</td> <td></td> <td></td> </tr> </tbody> </table> <p style="margin-top: 10px;">Customer-No. _____</p> <p style="margin-top: 10px;">Date: 28.05.2013 Name: Winnie</p> <p style="margin-top: 10px;">Date: 28.05.2013 Name: Winnie</p> <p style="margin-top: 10px;">ASSMANN WSW-No. ADP-254-02-SR</p> <p style="margin-top: 10px;">Drawing-No. ASS 5717 CO rev00</p> <p style="margin-top: 10px;">Replace SHEET 2/3</p>							Scale	Free						TOLERANCE	±0.20						X.X	±0.15						X.XX	±0.10						X.XXX	±0.05						DIM	TOL						Angle	±5°						Id.	Modification	Date	Name	Date	Name	①	Drawn	28.05.2013	Winnie			W	P	A0	B0	12.00±0.30	8.00±0.10	1.80±0.10	4.34±0.10	S0	P0	A1	B1	1.75±0.10	2.00±0.10			E	P2			1.75±0.10	2.00±0.10			F	D0	K0		5.50±0.10	∅1.50±0.10	3.00±0.10		T	D1	K1		0.30±0.05	∅1.50 Min			
Scale	Free																																																																																																												
TOLERANCE	±0.20																																																																																																												
X.X	±0.15																																																																																																												
X.XX	±0.10																																																																																																												
X.XXX	±0.05																																																																																																												
DIM	TOL																																																																																																												
Angle	±5°																																																																																																												
Id.	Modification	Date	Name	Date	Name																																																																																																								
①	Drawn	28.05.2013	Winnie																																																																																																										
W	P	A0	B0																																																																																																										
12.00±0.30	8.00±0.10	1.80±0.10	4.34±0.10																																																																																																										
S0	P0	A1	B1																																																																																																										
1.75±0.10	2.00±0.10																																																																																																												
E	P2																																																																																																												
1.75±0.10	2.00±0.10																																																																																																												
F	D0	K0																																																																																																											
5.50±0.10	∅1.50±0.10	3.00±0.10																																																																																																											
T	D1	K1																																																																																																											
0.30±0.05	∅1.50 Min																																																																																																												
H	<table border="1" style="width: 100%; border-collapse: collapse;"> <thead> <tr> <th>Scale</th> <th>Free</th> <th></th> <th></th> <th></th> <th></th> <th></th> </tr> </thead> <tbody> <tr> <td>TOLERANCE</td> <td>±0.20</td> <td></td> <td></td> <td></td> <td></td> <td></td> </tr> <tr> <td>X.X</td> <td>±0.15</td> <td></td> <td></td> <td></td> <td></td> <td></td> </tr> <tr> <td>X.XX</td> <td>±0.10</td> <td></td> <td></td> <td></td> <td></td> <td></td> </tr> <tr> <td>X.XXX</td> <td>±0.05</td> <td></td> <td></td> <td></td> <td></td> <td></td> </tr> <tr> <td>DIM</td> <td>TOL</td> <td></td> <td></td> <td></td> <td></td> <td></td> </tr> <tr> <td>Angle</td> <td>±5°</td> <td></td> <td></td> <td></td> <td></td> <td></td> </tr> </tbody> </table> <table border="1" style="width: 100%; border-collapse: collapse; margin-top: 10px;"> <thead> <tr> <th>Id.</th> <th>Modification</th> <th>Date</th> <th>Name</th> </tr> </thead> <tbody> <tr> <td>①</td> <td>Drawn</td> <td>28.05.2013</td> <td>Winnie</td> </tr> </tbody> </table> <p style="margin-top: 10px;">ASSMANN WSW components</p>							Scale	Free						TOLERANCE	±0.20						X.X	±0.15						X.XX	±0.10						X.XXX	±0.05						DIM	TOL						Angle	±5°						Id.	Modification	Date	Name	①	Drawn	28.05.2013	Winnie																																													
Scale	Free																																																																																																												
TOLERANCE	±0.20																																																																																																												
X.X	±0.15																																																																																																												
X.XX	±0.10																																																																																																												
X.XXX	±0.05																																																																																																												
DIM	TOL																																																																																																												
Angle	±5°																																																																																																												
Id.	Modification	Date	Name																																																																																																										
①	Drawn	28.05.2013	Winnie																																																																																																										

1. For 10 Sprocket hole pitches, cumulative tolerance is ±0.20mm on tape.
2. Carrier chamber not to exceed 1mm in 250mm.
3. All dimension meet EIA-481-D requirements
4. Material: black Conductive Polystyrene Alloy.
5. Packing length per 13" reel: 20.6 Meters.
6. Component load per 13" reel: 2500 pcs.
7. Beginning 38pcs empty chambers = 300mm, behind 30pcs empty

1 2 3 4 5 6 7

REELS ARE WITH LABEL:



# ROHS compliant

Unit:mm

Scale	Free						
TOLERANCE	±0.20						
X.	±0.15						
X.X	±0.10						
X.XX	±0.05						
X.XXX	±0.05						
DIM	TOL						
Angle	±5°						
		①	Drawn	28.05.2013	Winnie		
			Modification				
			Date				
			Name				

Customer-No.	Name	Date	Name	Date	Name
	Winnie	22.08.2012	Winnie	01.03.2013	Winnie
ASSMANN WSW-No.					
ADP-254-02-SR					
Drawing-No.					
ASS 5717 CO					
rev00					
SHEET					
3/3					



ASSMANN components

1 2 3 4 5 6 7

REELS ARE WITH LABEL:



# ROHS compliant

Unit:mm

Scale	Free						
TOLERANCE	±0.20						
X.	±0.15						
X.X	±0.10						
X.XX	±0.05						
X.XXX	±0.05						
DIM	TOL						
Angle	±5°						
		①	Drawn	28.05.2013	Winnie		
			Modification				
			Date				
			Name				

Customer-No.	Name	Date	Name	Date	Name
	Winnie	22.08.2012	Winnie	01.03.2013	Winnie
ASSMANN WSW-No.					
ADP-254-02-SR					
Drawing-No.					
ASS 5717 CO					
rev00					
SHEET					
3/3					



ASSMANN components

1 2 3 4 5 6 7